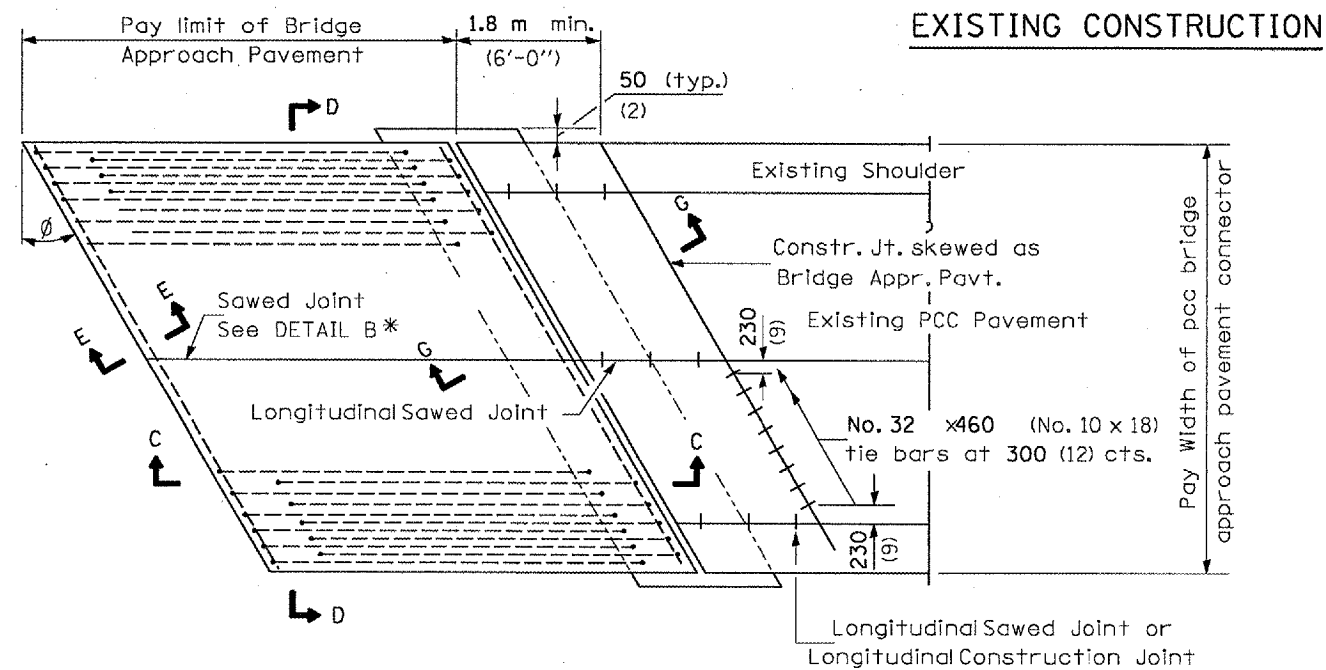
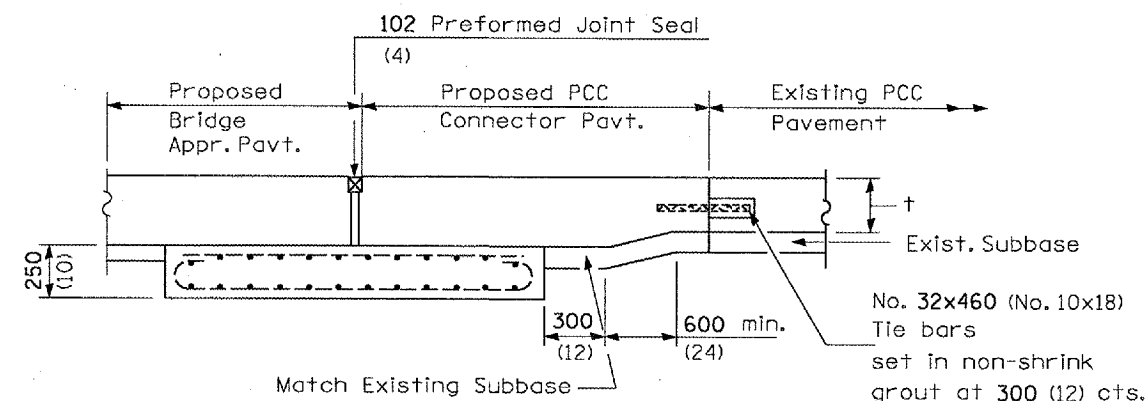


F.A.P. RTE.	SECTION	COUNTY	TOTAL SHEETS	SHEET NO.
701	(119B-31)	TAZEWELL	29	21A
STA.		TO STA.		
FED. ROAD DIST. NO.		ILLINOIS FED. AID PROJECT		

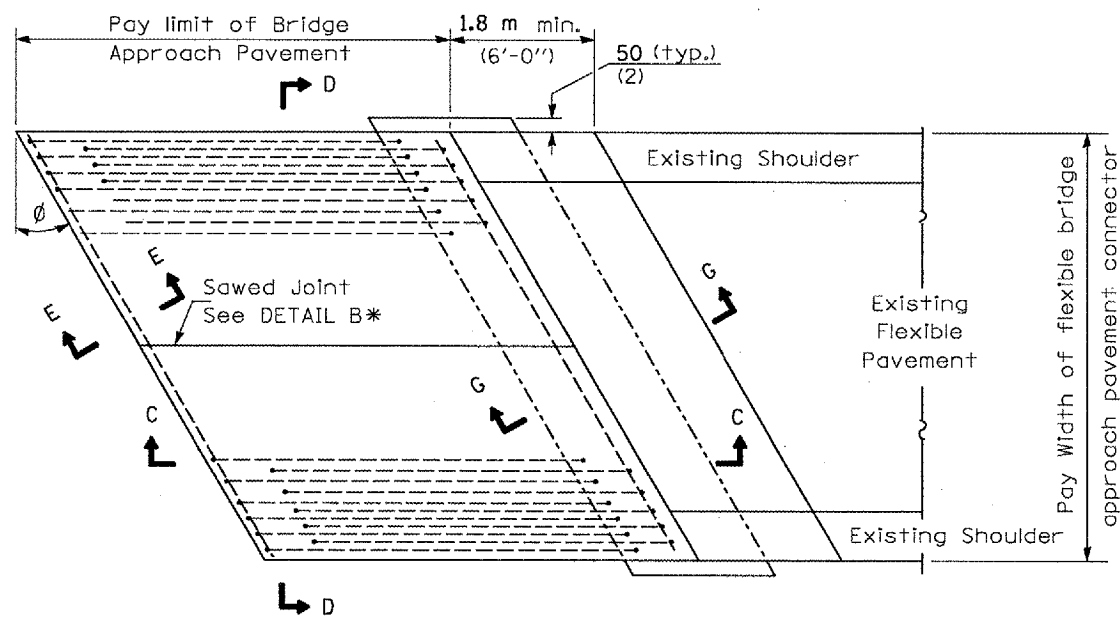


**EXISTING CONSTRUCTION**

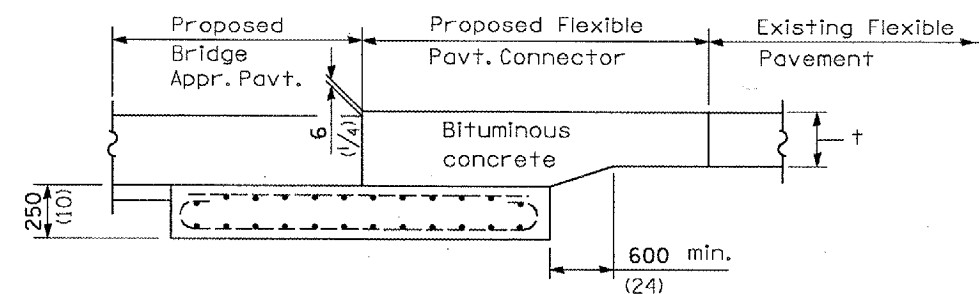
**BRIDGE APPROACH PAVEMENT CONNECTOR (PCC)**



**SECTION G-G - RIGID PAVEMENT**



**BRIDGE APPROACH PAVEMENT CONNECTOR (FLEXIBLE)**



**SECTION G-G - FLEXIBLE PAVEMENT**

All dimensions are in millimeters (inches) unless otherwise shown.

**BRIDGE APPROACH PAVEMENT (SPECIAL)**