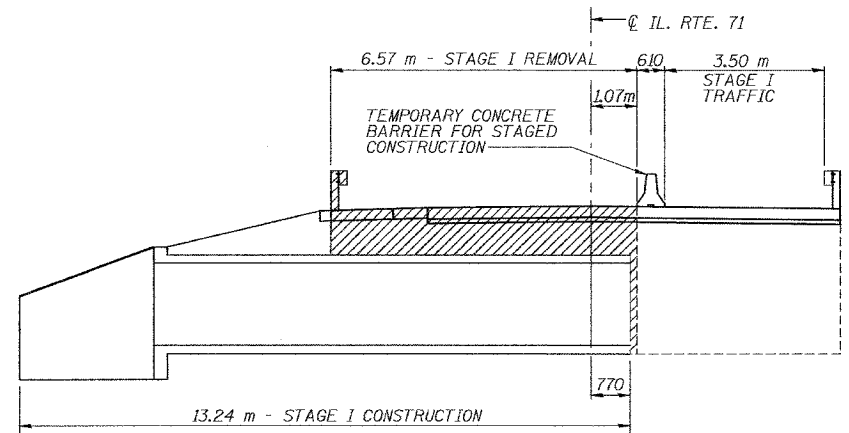
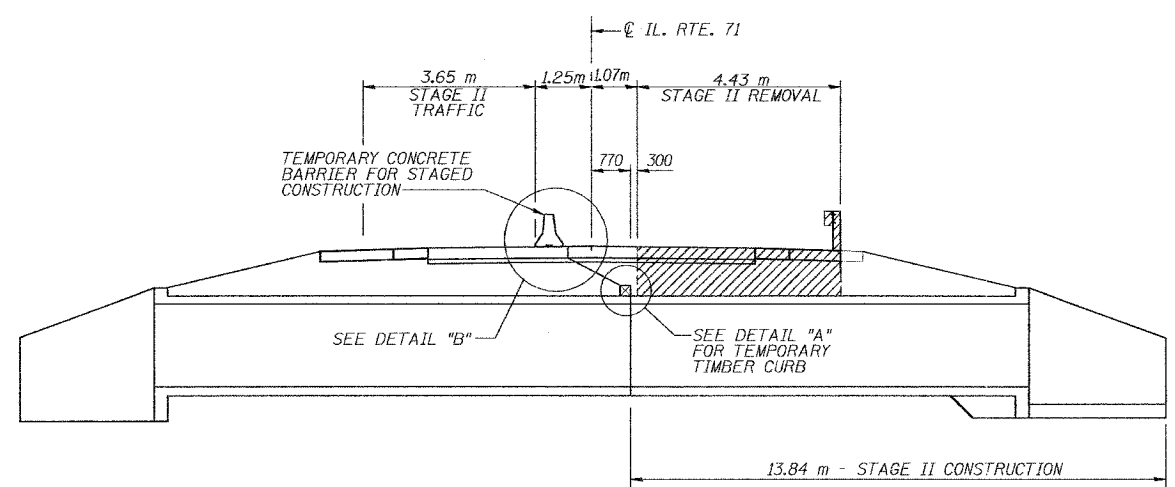


RTE.	SECTION	COUNTY	TOTAL SHEETS	SHEET NO.
619	120 BR-1	PUTNAM	28	15
FED. ROAD DIST. NO.		ILLINOIS	FED. AID PROJECT-	
SHEET B-2 OF B-8				

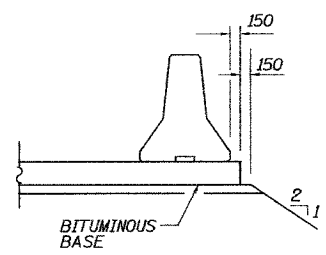
NOTE:  
SINCE THE EXISTING ABUTMENTS ARE RESTRAINED TOP AND BOTTOM THE EXISTING ABUTMENTS MUST BE BRACED OR THE SOIL EXCAVATED BEHIND THEM PRIOR TO REMOVAL OF THE EXISTING SUPERSTRUCTURE.



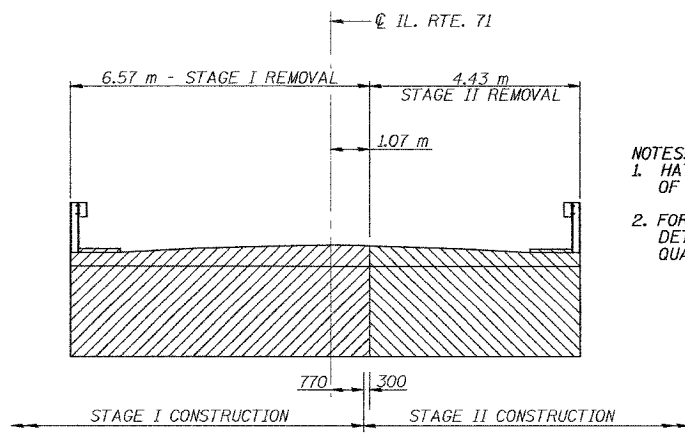
**STAGE I**  
LOOKING EAST  
DIMENSIONS ARE AT RIGHT ANGLE TO CL. ROUTE 71



**STAGE II**  
LOOKING EAST  
DIMENSIONS ARE AT RIGHT ANGLE TO CL. ROUTE 71



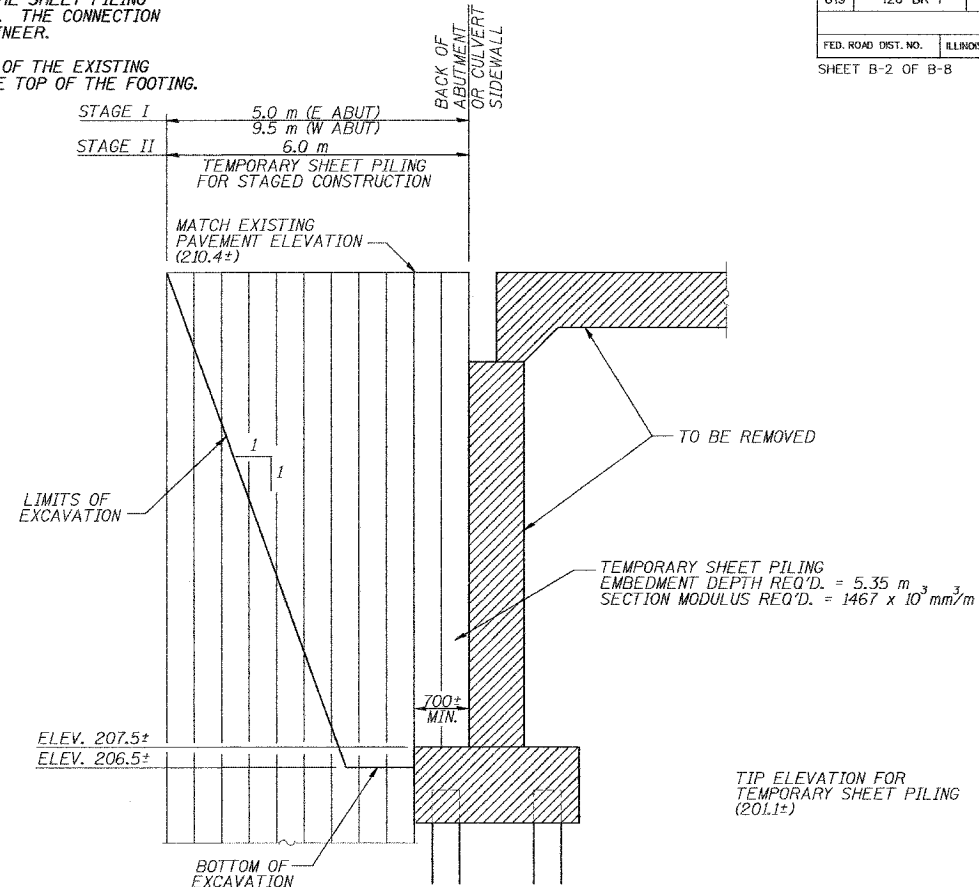
**DETAIL "B"**



**REMOVAL DETAIL**  
LOOKING EAST

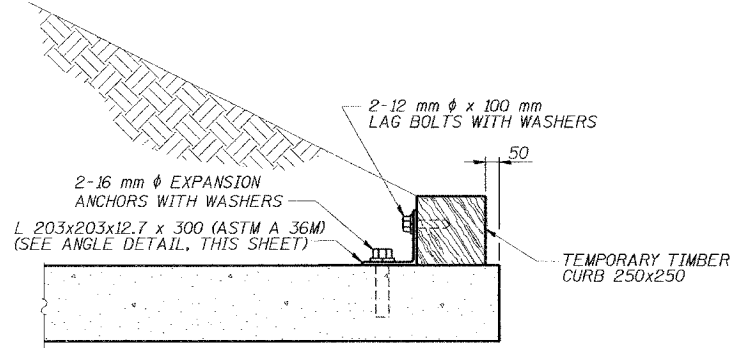
NOTES:  
1. HATCHED AREAS INDICATE REMOVAL OF EXISTING STRUCTURES.  
2. FOR TEMPORARY CONCRETE BARRIER DETAILS SEE SHEET B-6 OF B-8. FOR QUANTITY SEE ROADWAY PLANS.

NOTES:  
1. THE CONTRACTOR SHALL ANCHOR THE SHEET PILING TO THE EXISTING ABUTMENT WALL. THE CONNECTION SHALL BE APPROVED BY THE ENGINEER.  
2. SHEET PILING WITHIN THE LIMITS OF THE EXISTING FOOTING SHALL BE DRIVEN TO THE TOP OF THE FOOTING.



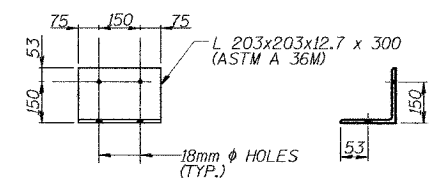
**TEMPORARY SHEET PILING DETAIL**

IF THE CONTRACTOR CHOOSES TO ALTER THE TEMPORARY CANTILEVERED SHEET PILING DESIGN REQUIREMENTS SHOWN ON THE PLANS FOR LESSER DESIGN REQUIREMENTS, THEN FULL DESIGN SUBMITTALS WITH THE REQUIRED SEALS WILL BE EXPECTED BY THE DEPARTMENT, FOR REVIEW AND APPROVAL.



**DETAIL "A"**

THE L 203x203x12.7 x 300 AND TEMPORARY TIMBER SHALL NOT BE REMOVED UNTIL STAGE II CONSTRUCTION HAS BEEN COMPLETED.



**ANGLE DETAIL**

**DETAIL "A" NOTES**

CONNECT ONE (1) L 203x203x12.7 x 300 TO THE TOP OF STAGE I CULVERT WITH TWO (2) EXPANSION ANCHORS PLACED IN TWO (2) HOLES. ANGLES TO BE POSITIONED NEAR EACH END OF ALL TIMBER CURBS, BUT THE OUTSIDE LAG BOLT SHALL BE AT LEAST 150mm FROM END OF TIMBER. COST INCLUDED WITH CONCRETE BOX CULVERTS.

REVISIONS	
NAME	DATE

ILLINOIS DEPARTMENT OF TRANSPORTATION  
**CONSTRUCTION STAGING**  
ILLINOIS ROUTE 71 OVER AN INTERMITTENT STREAM  
F.A.P. RT. 619 - SECTION 120 BR-1  
PUTNAM COUNTY  
STATION 9+268.500  
STRUCTURE No. 078-2008

DESIGNED BY: MW    DRAWN BY: KDS  
CHECKED BY: SG    CHECKED BY: MW

DATE: 8/31/06

**TRANSYSTEMS CORPORATION**