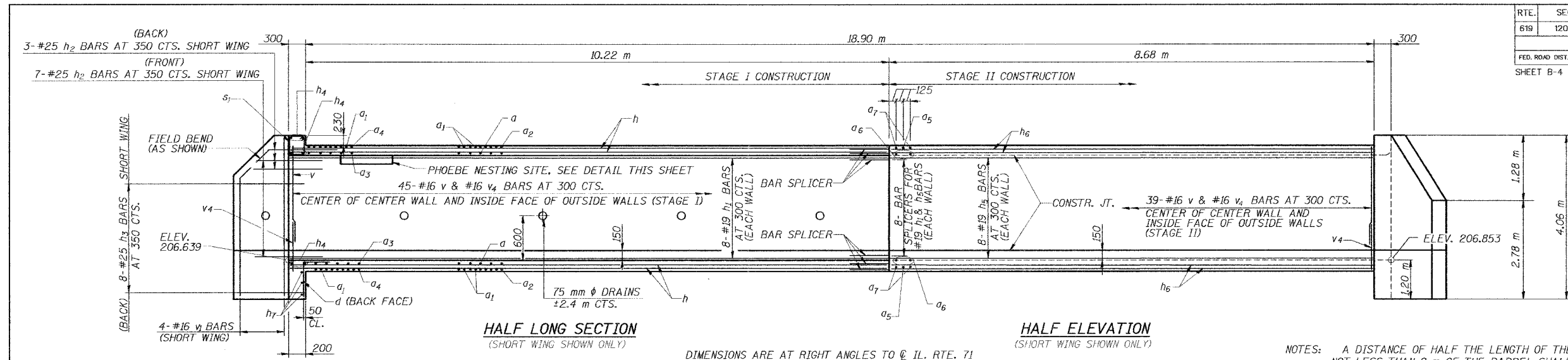
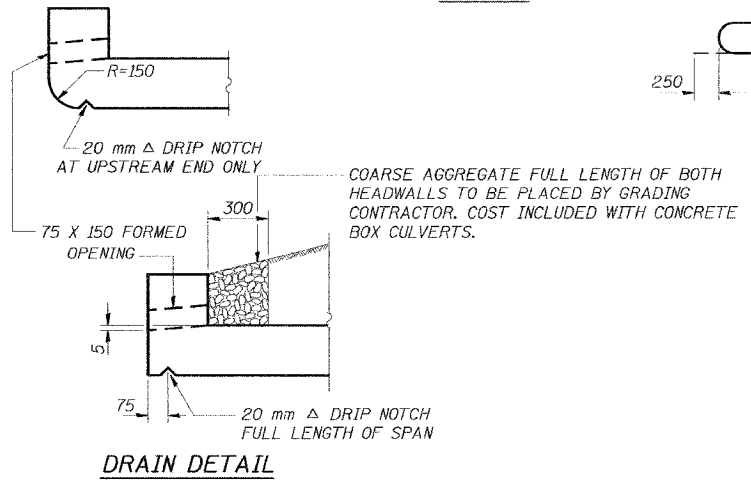
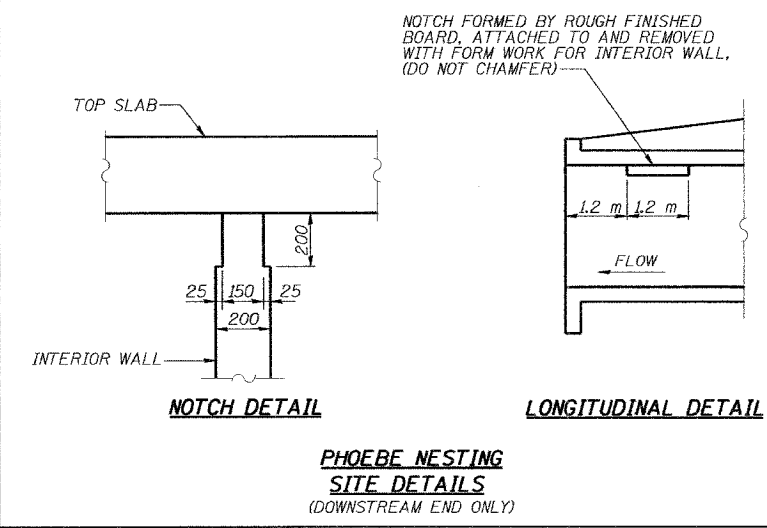
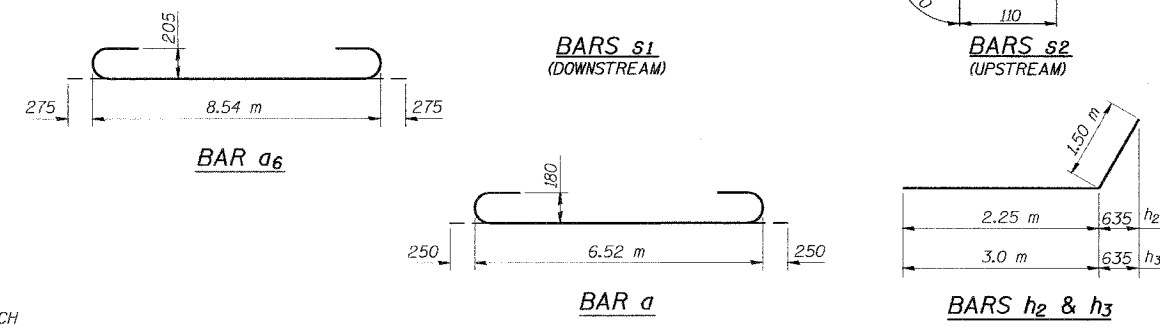
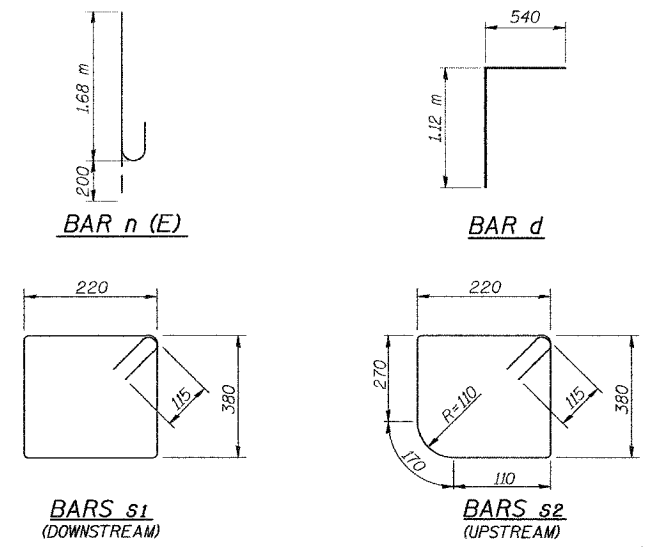
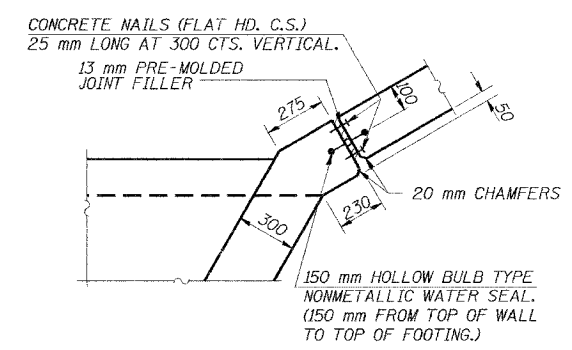
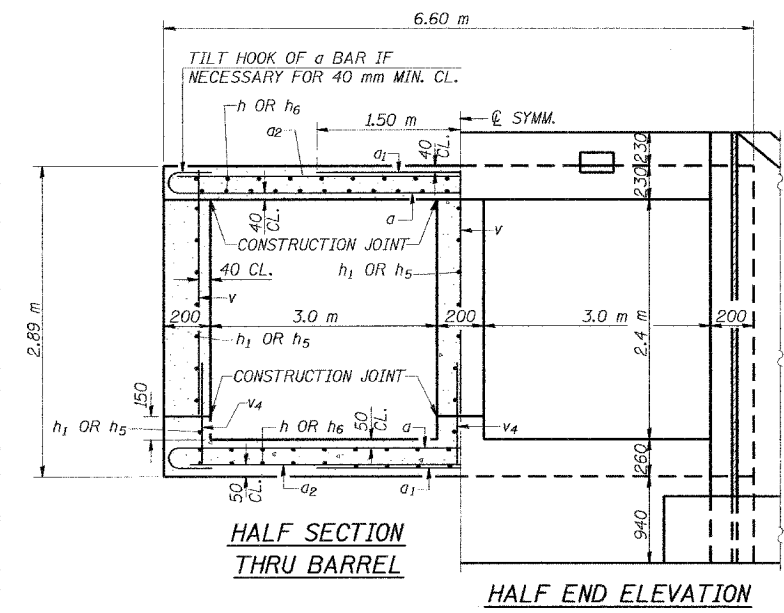


| RTE. | SECTION | COUNTY | TOTAL SHEETS | SHEET NO. |
|------|----------|--------|--------------|-----------|
| 619 | 120 BR-1 | PUTNAM | 28 | 17 |

FED. ROAD DIST. NO. ILLINOIS FED. AID PROJECT- SHEET B-4 OF B-8



NOTES: A DISTANCE OF HALF THE LENGTH OF THE WINGWALL BUT NOT LESS THAN 2 m OF THE BARREL SHALL BE POURED MONOLITHICALLY WITH THE WINGWALLS.
ALL DIMENSIONS ARE IN MILLIMETERS (mm) EXCEPT AS NOTED.
REINFORCEMENT BARS DESIGNATED "E" SHALL BE EPOXY COATED.



BILL OF MATERIAL

| Bar | No. | Size | Length (m) | Shape |
|----------------------------------|-----|----------------|------------|-------|
| d | 96 | #22 | 7.02 | U |
| a1 | 154 | #19 | 3.00 | — |
| a2 | 96 | #19 | 6.52 | — |
| a3 | 68 | #22 | 6.74 | U |
| a4 | 68 | #19 | 6.24 | — |
| a5 | 4 | #22 | 8.54 | — |
| a6 | 8 | #25 | 9.09 | — |
| a7 | 12 | #25 | 3.50 | — |
| d | 56 | #16 | 1.66 | — |
| h | 72 | #16 | 13.49 | — |
| h1 | 24 | #19 | 13.49 | — |
| h2 | 20 | #25 | 3.45 | — |
| h3 | 16 | #25 | 4.50 | — |
| h4 | 12 | #19 | 8.35 | — |
| h5 | 24 | #19 | 11.64 | — |
| h6 | 72 | #16 | 11.64 | — |
| h7 | 6 | #16 | 8.35 | — |
| h8 | 12 | #13 | 6.22 | — |
| h9 | 24 | #13 | 6.09 | — |
| s1 | 29 | #13 | 1.43 | □ |
| s2 | 29 | #13 | 1.38 | □ |
| v | 258 | #16 | 2.40 | — |
| v1 | 8 | #16 | 3.94 | — |
| v2 | 36 | #13 | 2.85 | — |
| v3 | 38 | #13 | 2.74 | — |
| v4 | 254 | #16 | 0.96 | — |
| v5 | 4 | #16 | 1.90 | — |
| n (E) | 58 | #19 | 1.88 | — |
| f | 110 | #13 | 1.95 | — |
| w | 24 | #16 | 6.09 | — |
| Concrete Box Culverts | | m ³ | 152.6 | |
| Reinforcement Bars | | kg | 14,880 | |
| Reinforcement Bars, Epoxy Coated | | kg | 250 | |

REVISIONS

| NAME | DATE |
|------|------|
| | |
| | |
| | |
| | |

ILLINOIS DEPARTMENT OF TRANSPORTATION
SECTIONS AND DETAILS
ILLINOIS ROUTE 71 OVER AN INTERMITTENT STREAM
F.A.P. RT. 619 - SECTION 120 BR-1
PUTNAM COUNTY
STATION 9+268.500
STRUCTURE No. 078-2008

DATE: 8/31/06 DESIGNED BY: MW DRAWN BY: GVS
CHECKED BY: SG CHECKED BY: MW

TRANSYSTEMS CORPORATION