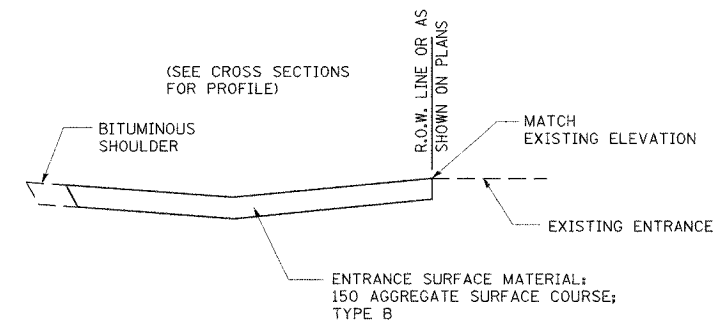
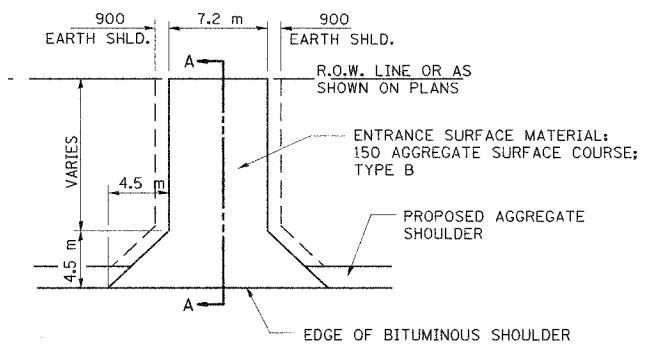
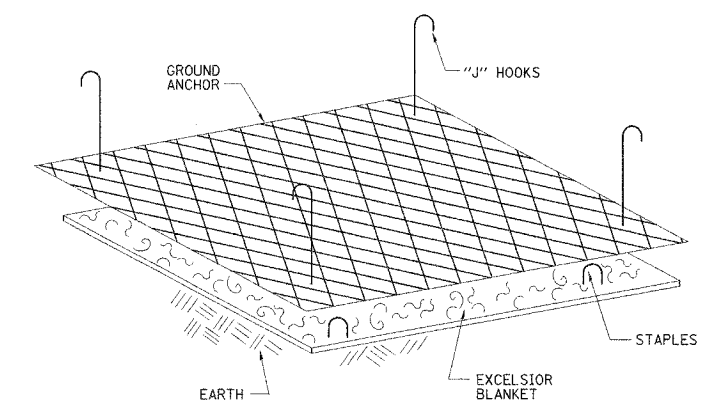
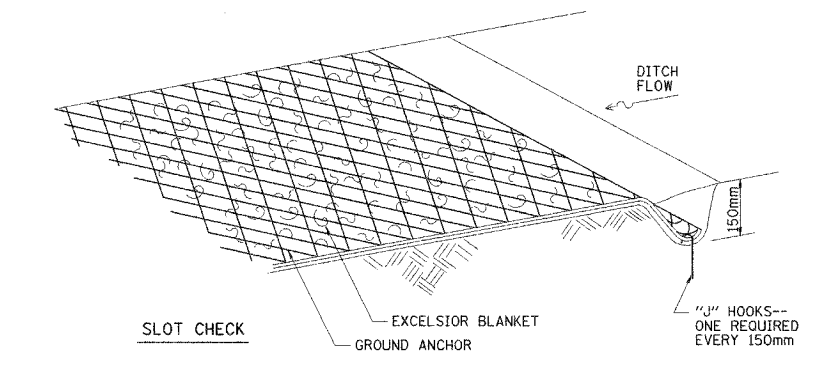
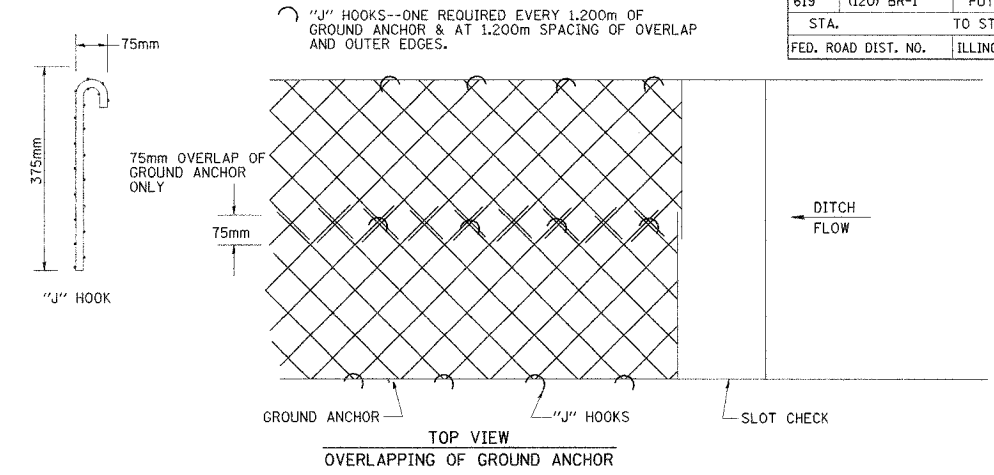


F.A.P. RTE.	SECTION	COUNTY	TOTAL SHEETS	SHEET NO.
619	(120) BR-1	PUTNAM	28	22
STA.	TO STA.			
FED. ROAD DIST. NO.	ILLINOIS FED. AID PROJECT			



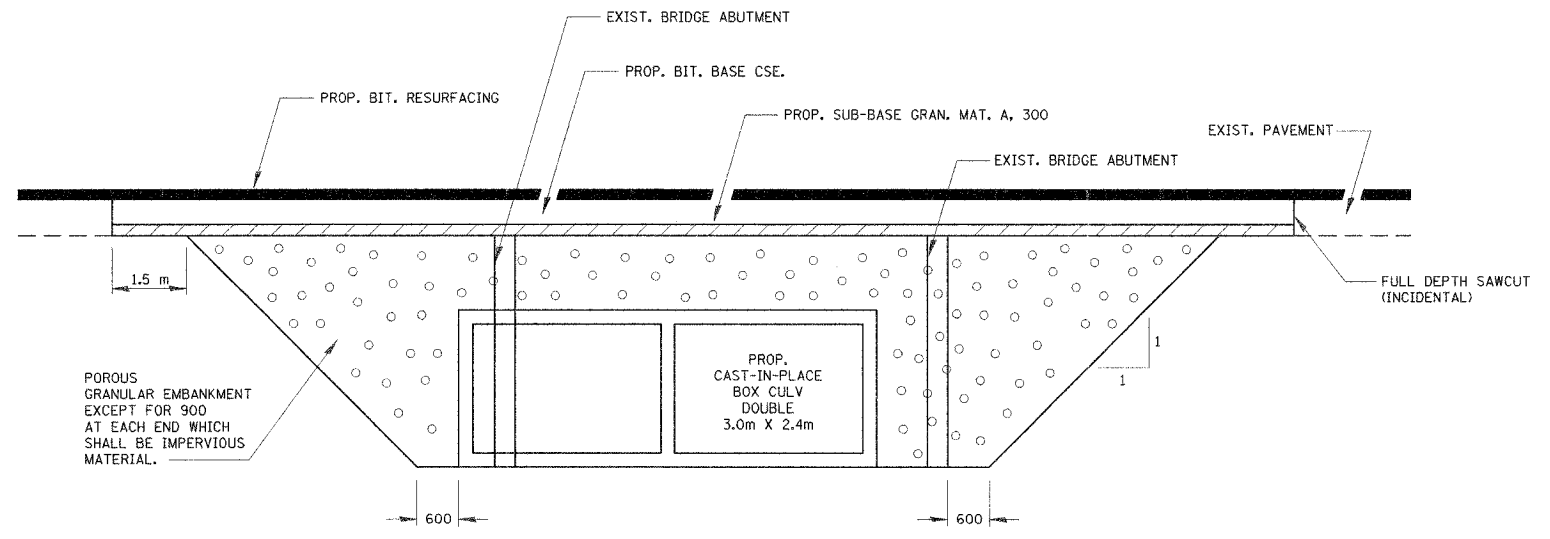
**FIELD ENTRANCE DETAIL 402-1**

ALL DIMENSIONS ARE IN MILLIMETERS UNLESS OTHERWISE SHOWN.



- NOTES:
- EXCELSIOR BLANKET IS STAPLED INTO GROUND.
  - GROUND ANCHOR GOES OVER EXCELSIOR BLANKET AND IS FASTENED WITH "J" HOOKS EVERY 1.200m.
  - PAY WIDTH WILL BE MEASURED TO OUT-TO-OUT OF GROUND ANCHOR WITH NO CONSIDERATION FOR OVERLAPS.

**EXCELSIOR BLANKET (SPECIAL) DETAILS 251-4**



ALL DIMENSIONS ARE IN MILLIMETERS UNLESS OTHERWISE SHOWN.

**SECTION THROUGH CAST-IN-PLACE BOX CULVERT 540-21**

REVISIONS		ILLINOIS DEPARTMENT OF TRANSPORTATION
NAME	DATE	
		CONSTRUCTION DETAILS
DATE		DRAWN BY
		CHECKED BY

OCT. 1996 [DETAILS] 200299.DGN 251-1, 251-2, 251-3, 251-4