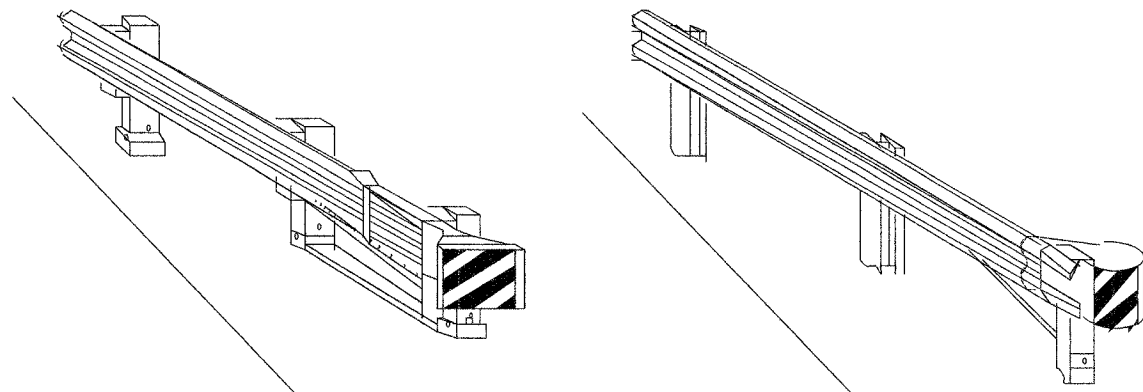
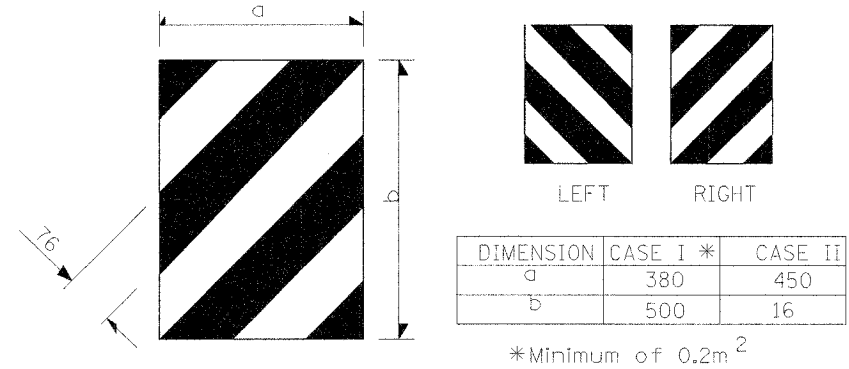


F.A.P. RTE.	SECTION	COUNTY	TOTAL SHEETS	SHEET NO.
619	(120) BR-1	PUTNAM	28	23
STA.		TO STA.		
FED. ROAD DIST. NO.		ILLINOIS FED. AID PROJECT		

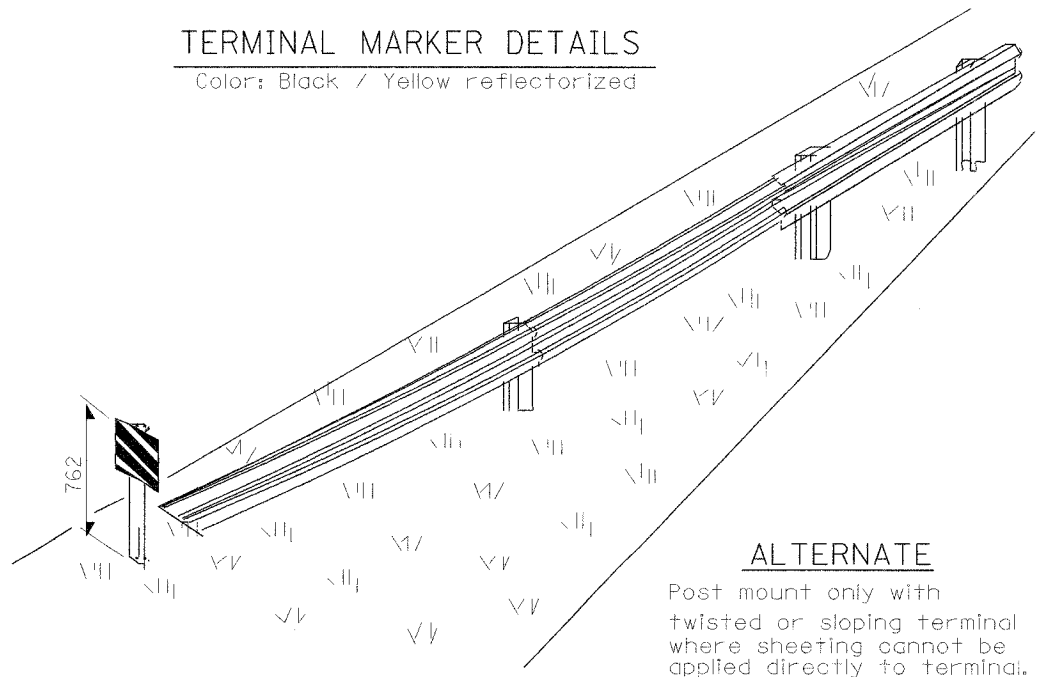


CASE I

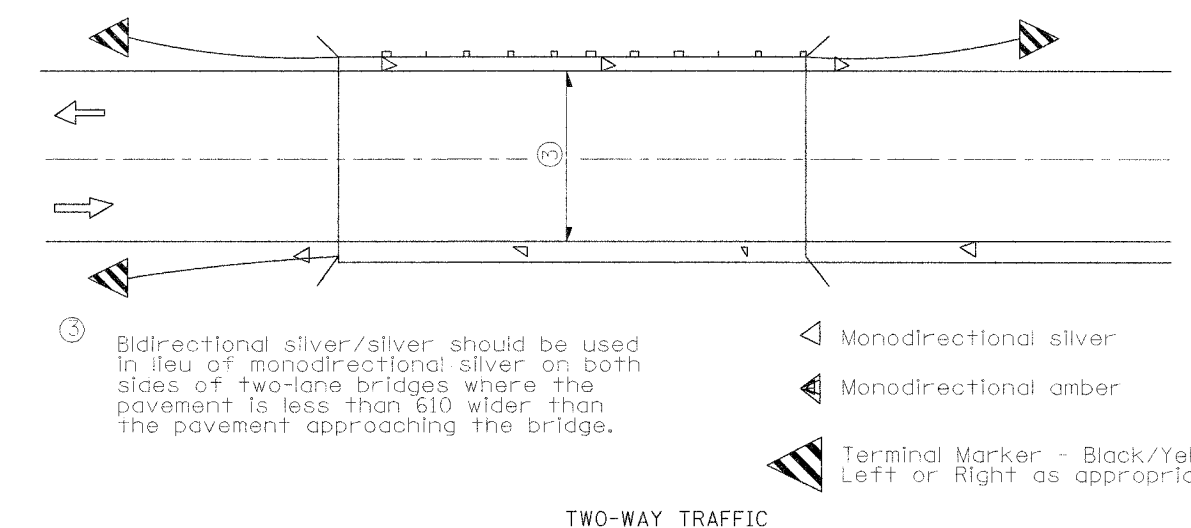
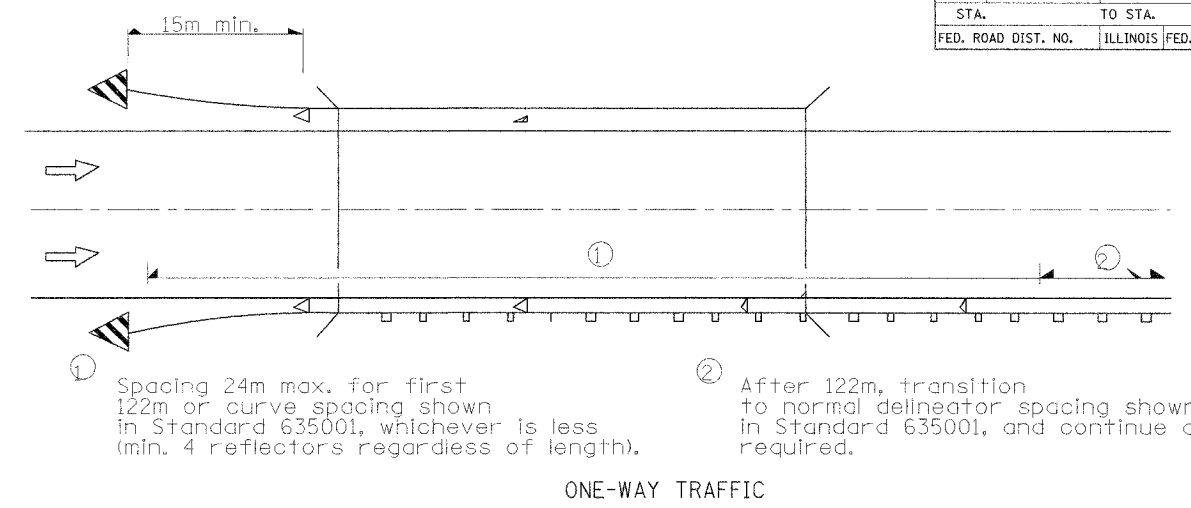
CASE II



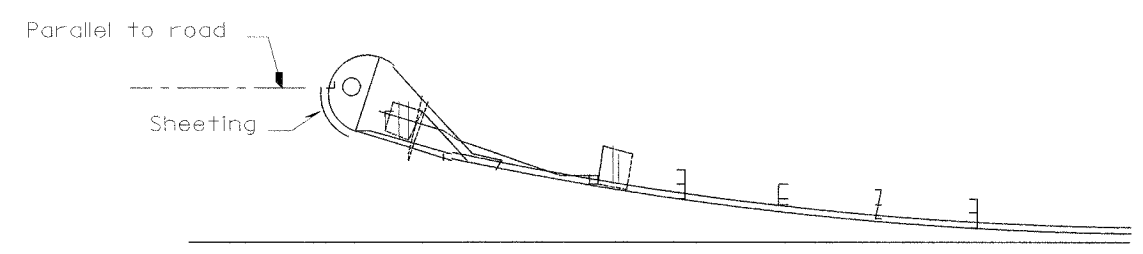
TERMINAL MARKER DETAILS  
Color: Black / Yellow reflectorized



ALTERNATE  
Post mount only with twisted or sloping terminal where sheeting cannot be applied directly to terminal.



GUARDRAIL / BARRIER WALL / BRIDGE RAIL REFLECTORS



SHEETING POSITION: CASE II

635-1

REFLECTOR AND TERMINAL MARKER PLACEMENT

REVISIONS	
NAME	DATE

ILLINOIS DEPARTMENT OF TRANSPORTATION

CONSTRUCTION DETAILS

DATE \_\_\_\_\_ DRAWN BY \_\_\_\_\_ CHECKED BY \_\_\_\_\_

ALL DIMENSIONS ARE IN MILLIMETERS UNLESS OTHERWISE SHOWN.

OCT. 1996  
[DETAILS] 200299.DGN  
251-1, 251-2, 251-3, 251-4