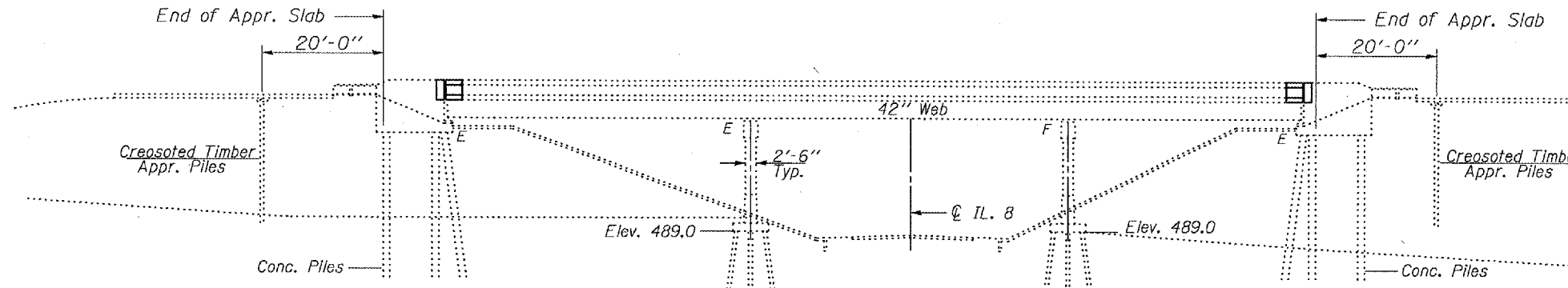


F.A.I. RTE.	SECTION	COUNTY	TOTAL SHEETS	SHEET NO.
474	(72-2HB)I	PEORIA	26	16
STA. 56+57.18		TO STA. 58+86.79		
FED. ROAD DIST. NO. 4 ILLINOIS FED. AID PROJECT				



ELEVATION

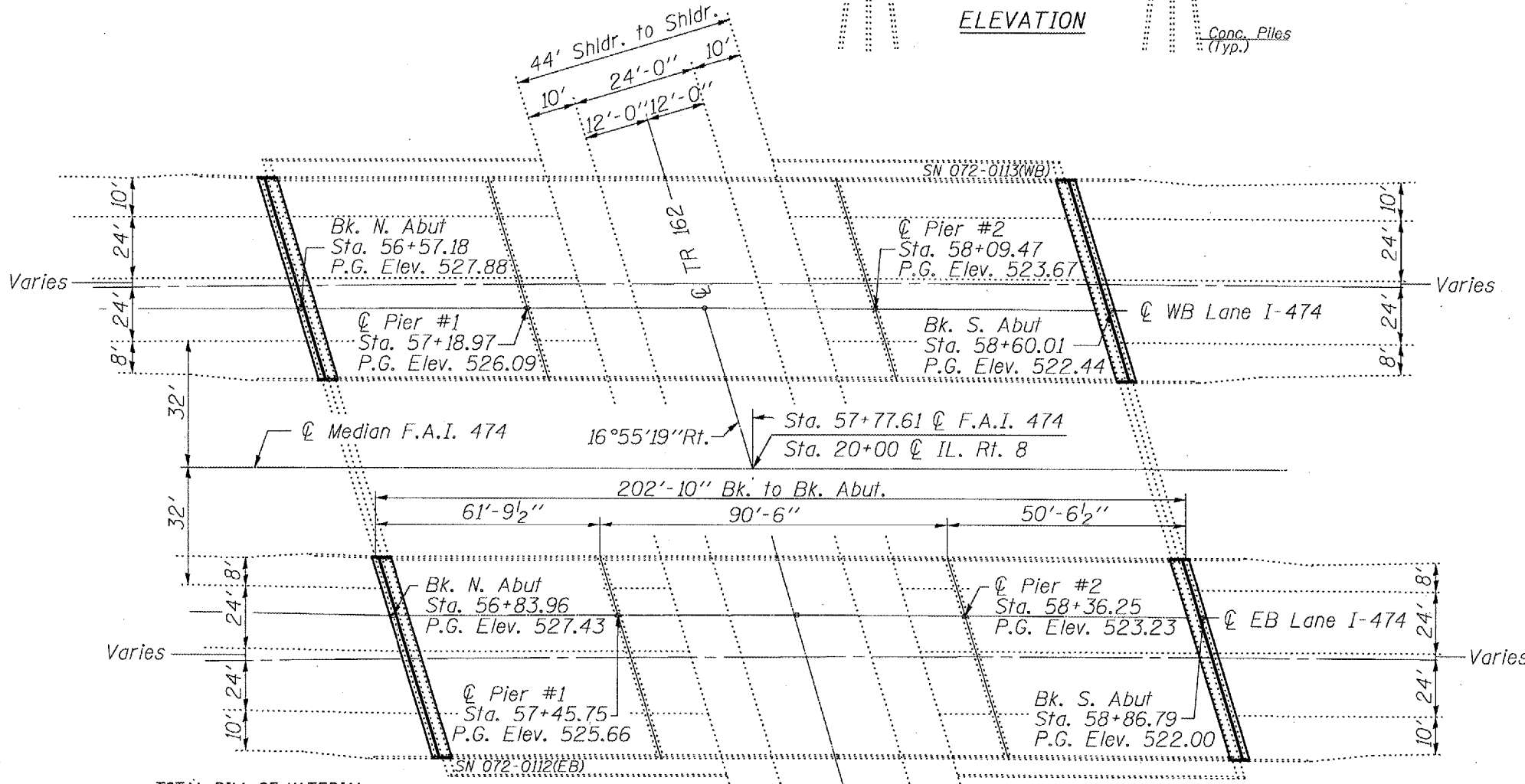
**GENERAL NOTES**

Plan dimensions and details relative to existing plans are subject to routine variations. The Contractor shall field verify existing dimensions and details affecting new construction and make necessary approved adjustments prior to construction or ordering of materials. Such variations shall not be cause for additional compensation for a change in scope of the work, however, the Contractor will be paid for the quantity actually furnished based upon the unit price bid for the work.

All Construction joints shall be bonded.

The existing structural steel coating contains lead. The Contractor should take precautions to deal with the presence of lead on this project.

Reinforcement bars shall conform to the requirements of ASTM A 706 Gr 60 (IL Modified). See Special Provisions



PLAN VIEW

**TOTAL BILL OF MATERIAL**

ITEM	UNIT	QUANTITY
Concrete Removal	Cu. Yd.	36.2
Reinforcement Bars, Epoxy Coated	Pound	4860
Bar Splicers	Each	40
Prefarmed Joint Strip Seal	Foot	284
Concrete Superstructure	Cu. Yd.	36.2
HMA Concrete Removal (Deck)	Sq. Yd.	2700
Bridge Deck Hydro-Scarification 1/2"	Sq. Yd.	2700
Bridge Deck Latex Concrete Overlay	Sq. Yd.	2700
Bridge Deck Grooving	Sq. Yd.	2670
Epoxy Marking Line, 4"	Foot	800
Epoxy Marking Line, 6"	Foot	600
Epoxy Marking Line, 8"	Foot	800

SN072-0112/072-0113  
I-474 over IL. 8

REVISIONS	
NAME	DATE

ILLINOIS DEPARTMENT OF TRANSPORTATION

**PLAN AND ELEVATION**

SCALE: VERT. HORIZ. DATE 07-07-2006

DRAWN BY CEJ CHECKED BY

PLOT DATE  
FILE NAME  
PLOT SCALE  
REFERENCE