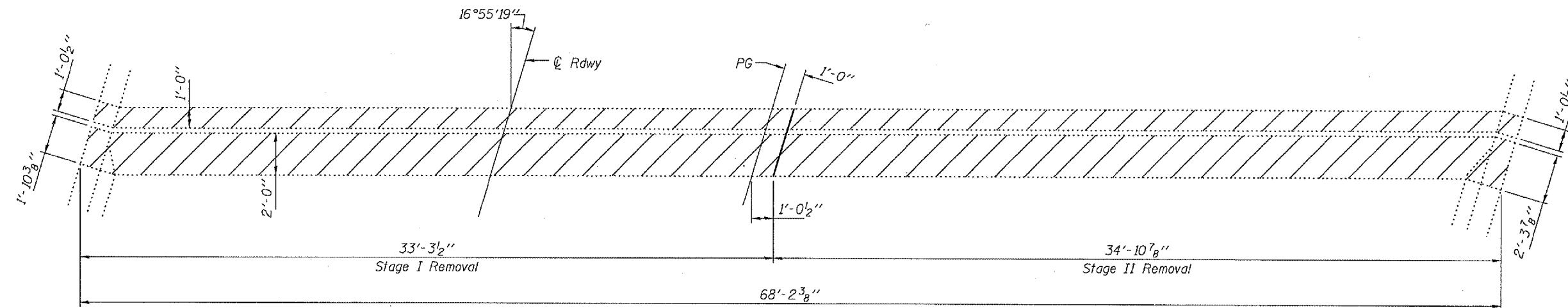
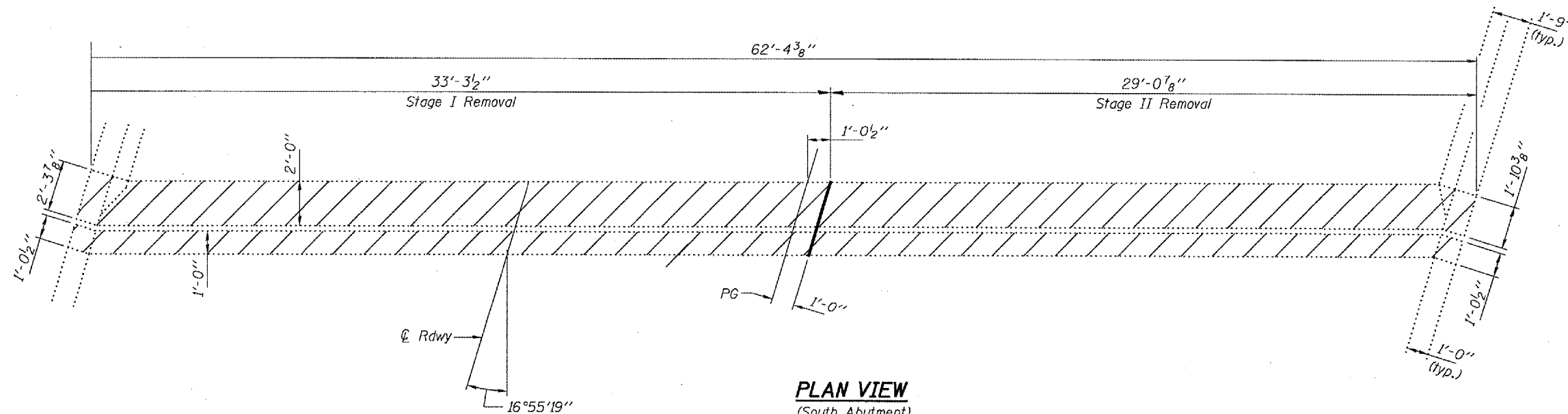


F.A.I. RTE.	SECTION	COUNTY	TOTAL SHEETS	SHEET NO.
474	(72-2HB)	PEORIA	26	19
STA. 56+57.18		TO STA. 58+86.79		
FED. ROAD DIST. NO. 4	ILLINOIS	FED. AID PROJECT		



PLAN VIEW
(North Abutment)

NOTE
Hatched areas indicate concrete removal.
Existing reinforcement, extending into removal area, to be cleaned, straightened, and incorporated into new construction.
Cost included with "Concrete Removal."



PLAN VIEW
(South Abutment)

REPLACEMENT DETAILS
(SN 072-0113 W.B.)

SN072-0113 W.B.
I-474 over IL. 8

REVISIONS	
NAME	DATE

ILLINOIS DEPARTMENT OF TRANSPORTATION
JOINT CONCRETE REMOVAL

SCALE: VERT.
HORIZ.
DATE 07-14-2006

DRAWN BY CEJ
CHECKED BY

PLOT DATE * REVISED *
FILE NAME * FILED *
PLOT SCALE * ESCALE *
REFERENCE * REF#