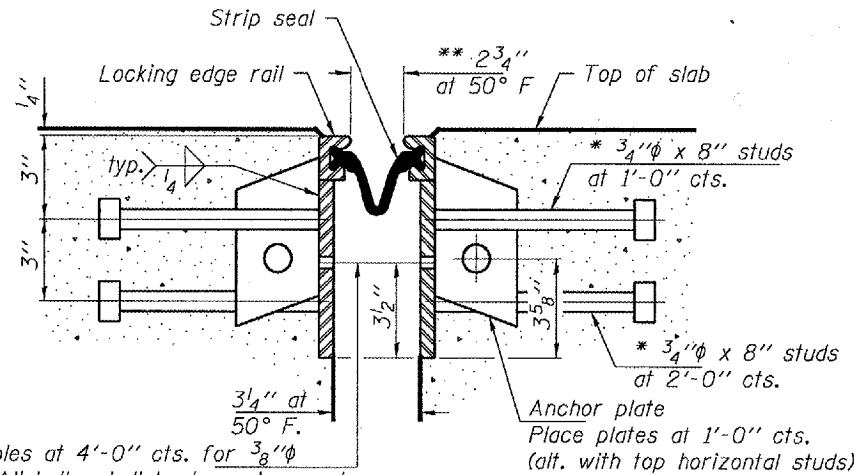


F.A.I. RTE.	SECTION	COUNTY	TOTAL SHEETS	SHEET NO.
474	(72-2HB)I	PEORIA	26	25
STA. 56+57.18		TO STA. 58+95.79		
FED. ROAD DIST. NO. 4		ILLINOIS FED. AID PROJECT		

* Granular or solid flux filled headed studs conforming to Article 1006.32 of the Std. Specs., automatically end welded.

** When joint is fixed, dimension is set at 1 1/2".



Required Strip Seal rated movement	"A"
4"	2 3/4"

Notes:

The strip seal shall be made continuous and shall have a minimum thickness of 1/4". The configuration of the strip seal shall match the configuration of the Locking Edge Rails. Open or "webbed" strip seal gland configurations are not permitted. The gland shall be sized for a maximum rated movement of 4 inches.

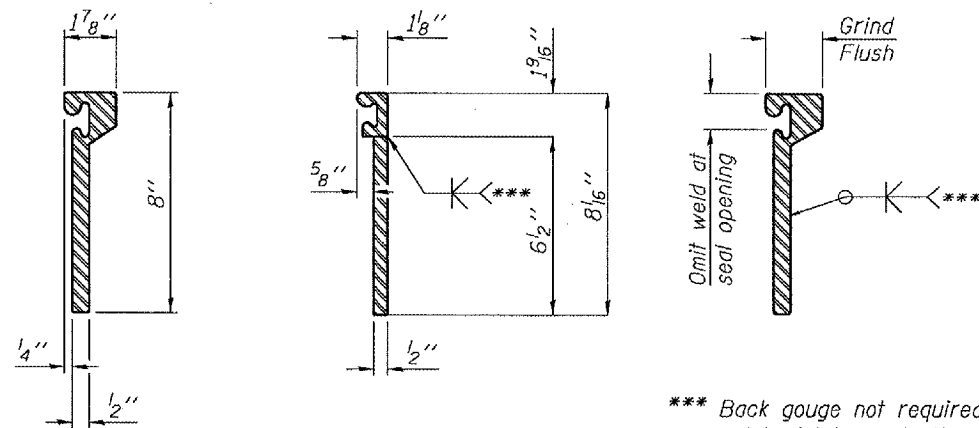
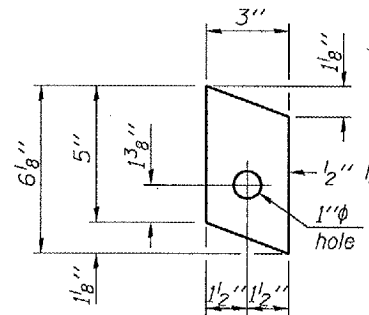
The height and thickness of the Locking Edge Rails shown are minimum dimensions. The actual configuration of the Locking Edge Rails and matching strip seal may vary from manufacturer to manufacturer. Flanged edge rails will not be allowed. Locking Edge Rails may be spliced at slope discontinuities and stage construction joints.

The manufacturer's recommended installation methods shall be followed.

The joint opening and deck dimensions detailed on the superstructure are based on a rolled rail expansion joint. If the Contractor elects to use the welded rail expansion joint, the opening and deck dimensions shall be modified according to the dimensions detailed on this sheet. Required modifications shall be made at no additional cost to the State.

All steel components shall be galvanized after fabrication according to Article 520.03 of the Standard Specifications.

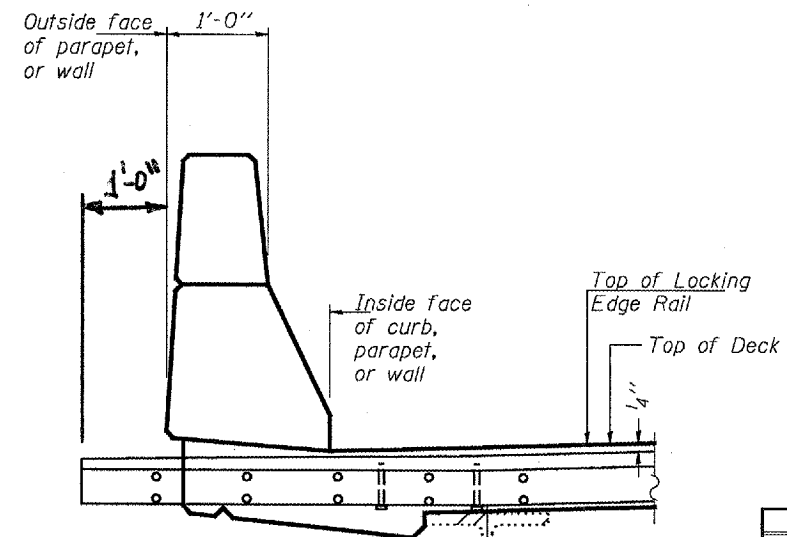
SECTION THRU WELDED RAIL JOINT



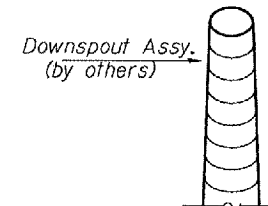
*** Back gouge not required if complete joint penetration is verified by mock-up.

LOCKING EDGE RAIL SPLICE

The inside of the locking edge rail groove shall be free of weld residue.



ITEM	UNIT	TOTAL
Preformed Joint Strip Seal	Foot	284



AT CURB, PARAPET, OR WALL

REVISIONS		ILLINOIS DEPARTMENT OF TRANSPORTATION
NAME	DATE	
		<p>EXPANSION JOINT REPLACEMENT DETAIL</p> <p>SCALE: VERT. DATE 07-15-2006</p> <p>DRAWN BY CEJ CHECKED BY</p>

PLOT DATE = 08/15/06
FILE NAME = 071506
PLOT SCALE = 0SCALE
REFERENCE = 0REF0

LOCKING EDGE RAILS