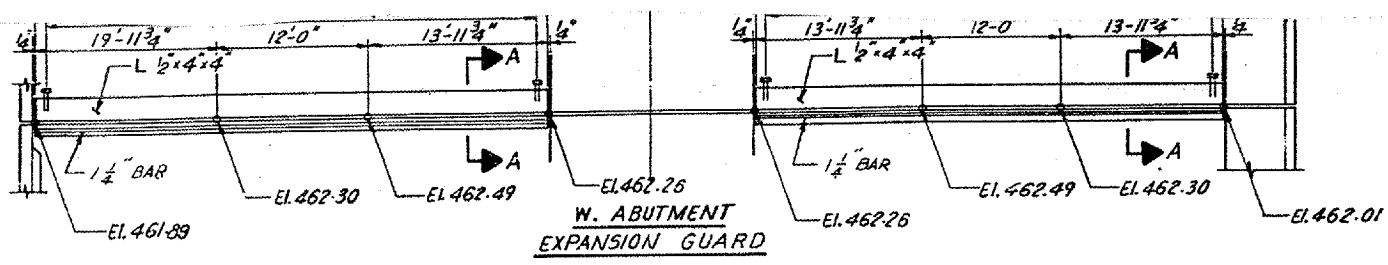


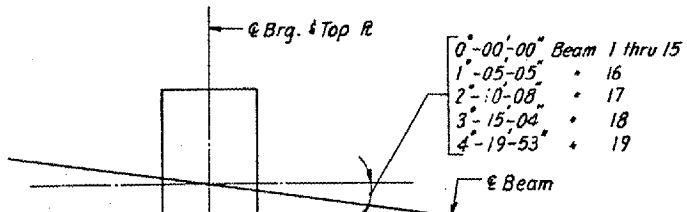
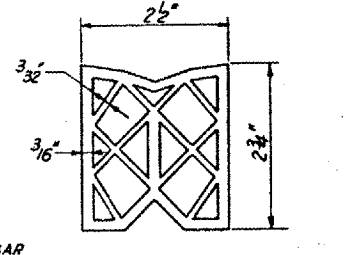
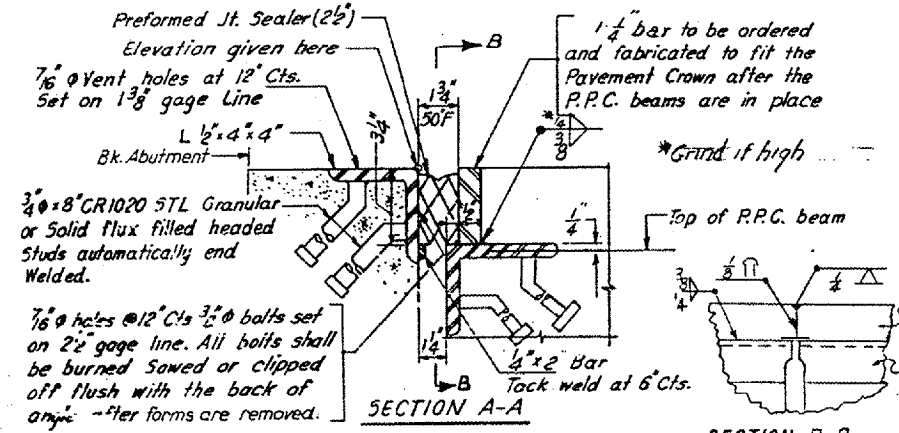
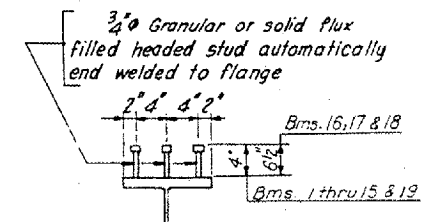
BRIDGE NO 1 - THIS STRUCTURE DELETED.

F.A. RTE.	SECTION	COUNTY	TOTAL SHEETS	SHEET NO.
VAR	D4 BRDG PNT 07	VARIOUS	17	7A
STA.	TO STA.			
FED. ROAD DIST. NO. 4	ILLINOIS			

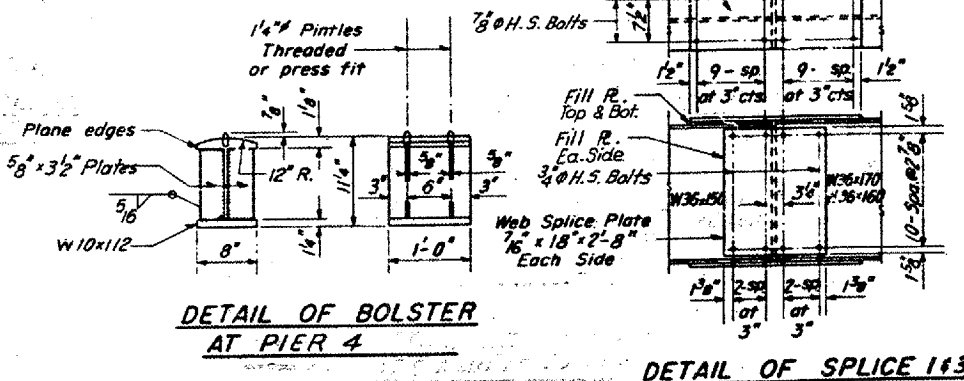
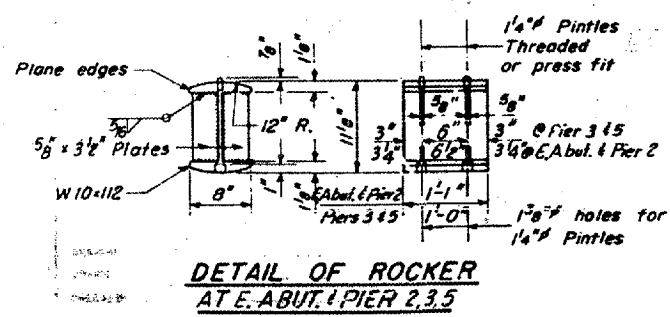
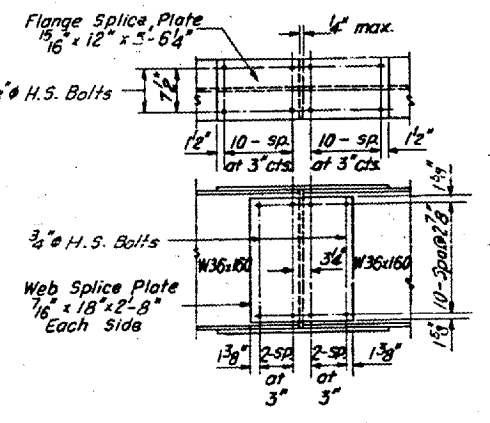
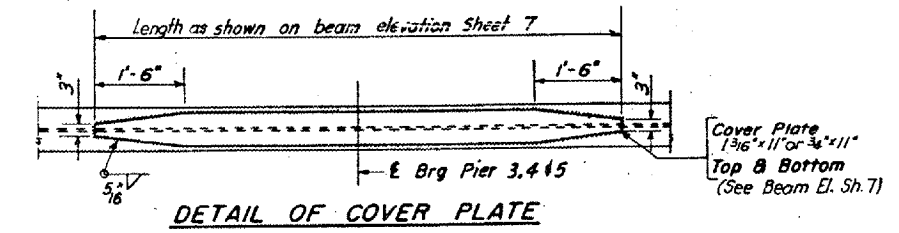
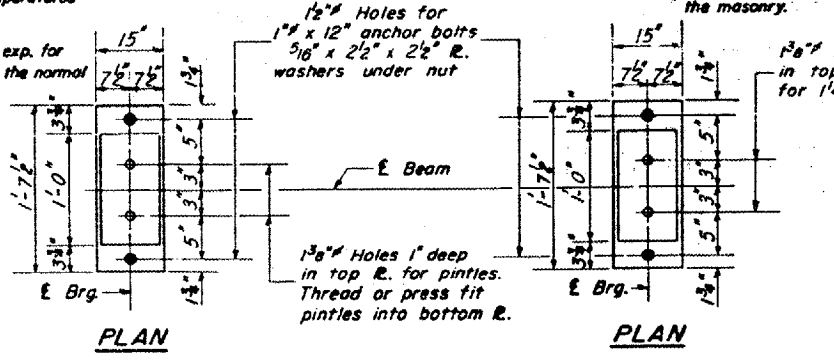
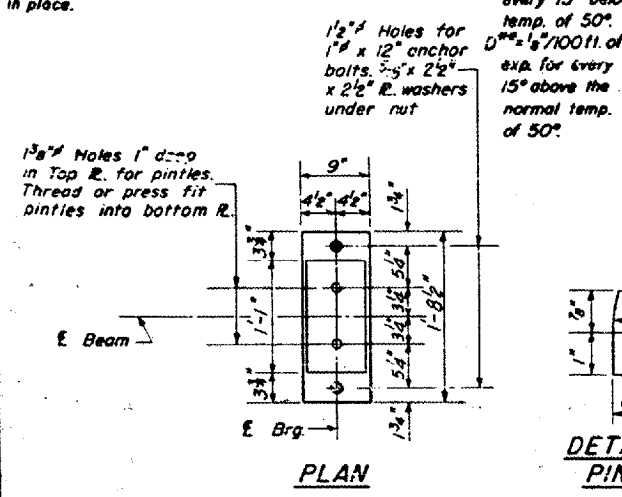
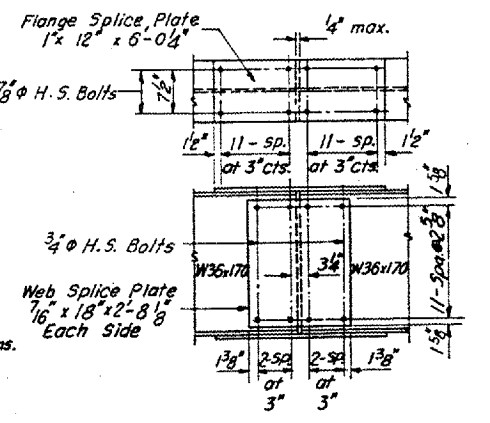
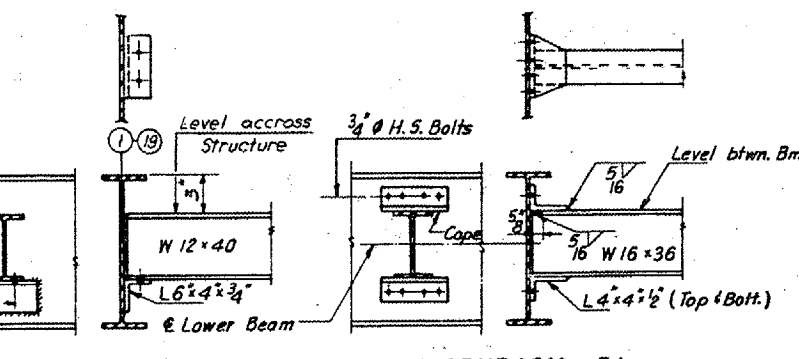
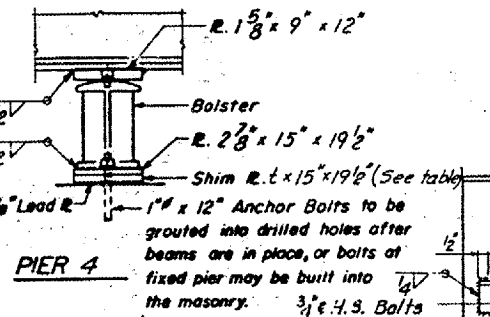
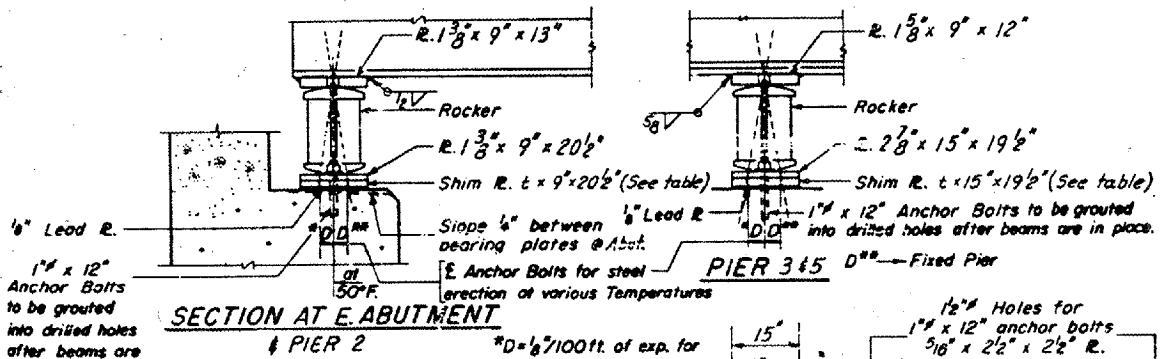


Shim Plate thickness (t)

Location	Bms. 1 & 2	Bm. 3	Bm. 4	Bm. 5	Bm. 6	Bm. 7	Bm. 8
Pier 2	1/2"	1 3/4"	1 1/2"	1"	1/2"		
Pier 3	3/4"					3/8"	
Pier 4	1/2"		3/8"			1/2"	
Pier 5	3/8"						



SHEAR CONNECTOR DETAIL
No. Req'd = 9,696 - (4' x 3/4" phi)
1,818 - (6' x 3/4" phi)



FOR INFORMATION ONLY

STATE OF ILLINOIS
DEPARTMENT OF TRANSPORTATION

STRUCTURAL STEEL
RELOCATED ADAMS STREET (FA 10)
OVER
KICKAPOO CREEK
STA. 187+10.02
PEORIA COUNTY SECTION 48-B

CHRISTIAN-ROGE AND ASSOC.
ENGINEERS
CHICAGO ILLINOIS

SHEET
8 OF 26

ADD SHEET