

# BRIDGE NO 5 & 6 - 072-0124/125 I 474 OVER RAILROAD

F.A. RTE.	SECTION	COUNTY	TOTAL SHEETS	SHEET NO.
VAR	D4 BRDG PNT 07	VARIOUS	17	15a
STA.		TO STA.		
FED. ROAD DIST. NO. 4		ILLINOIS		

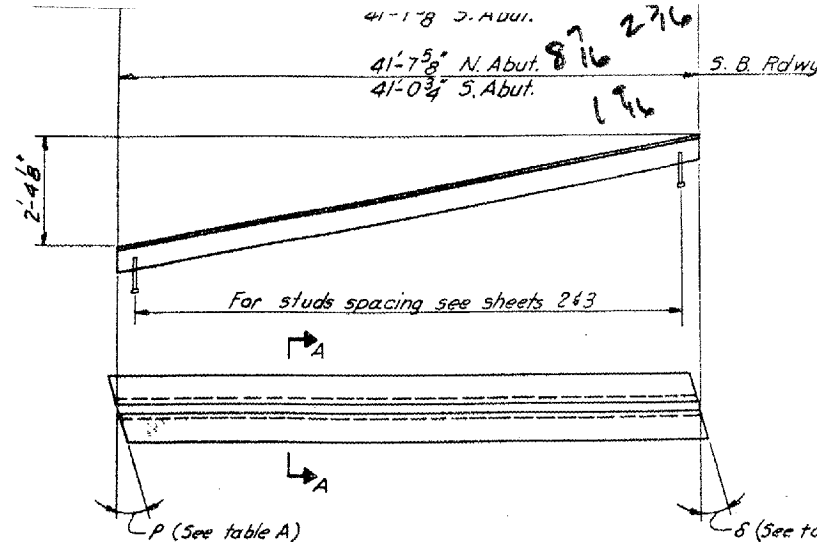
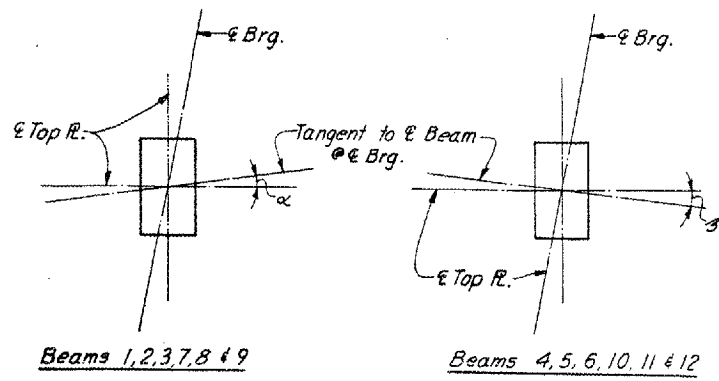


TABLE A

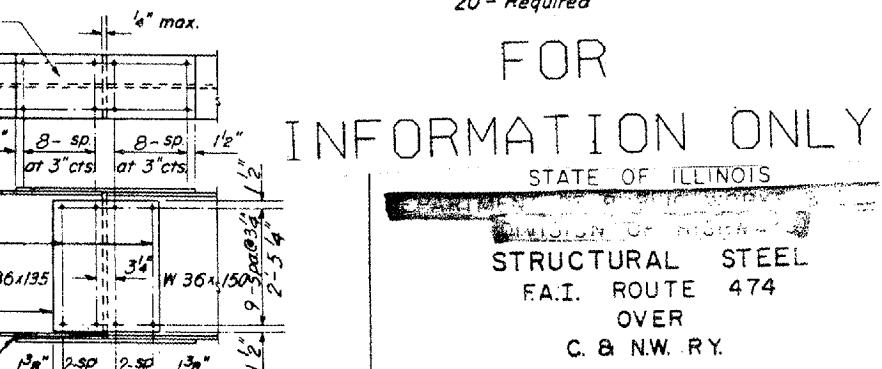
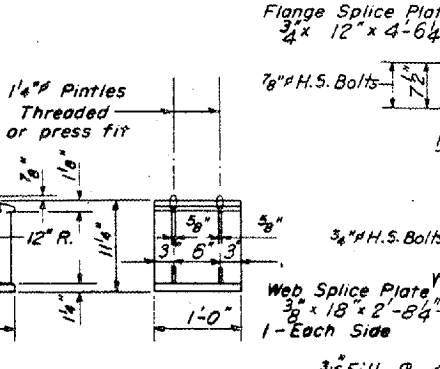
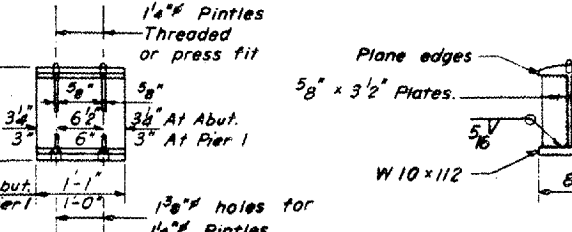
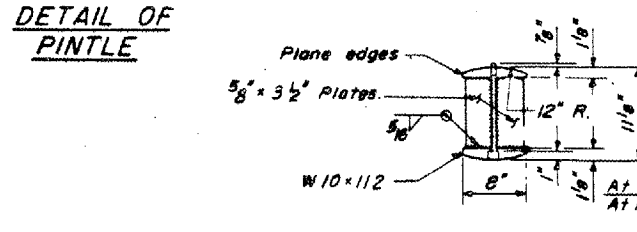
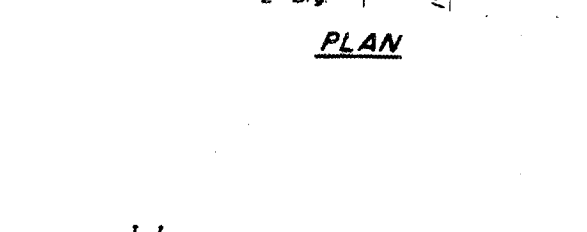
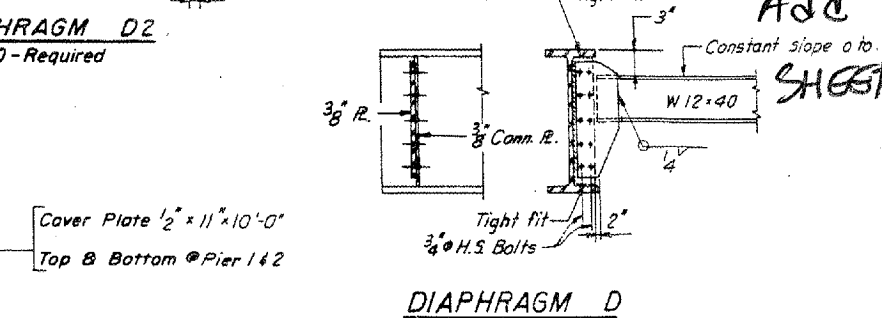
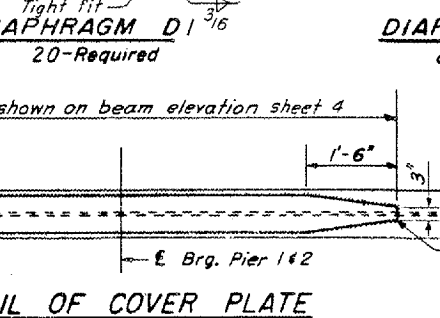
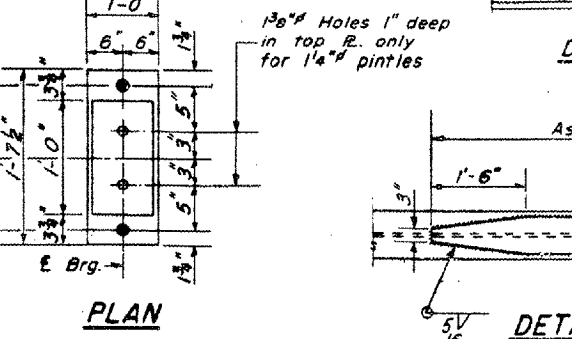
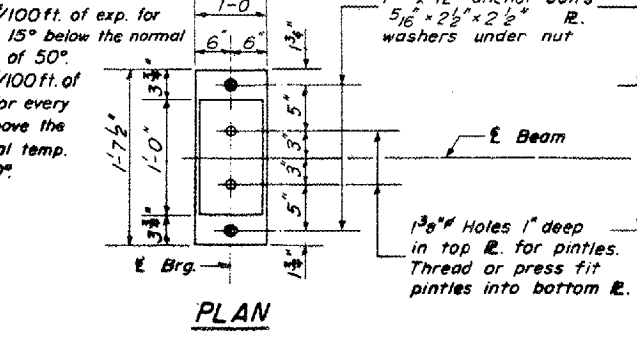
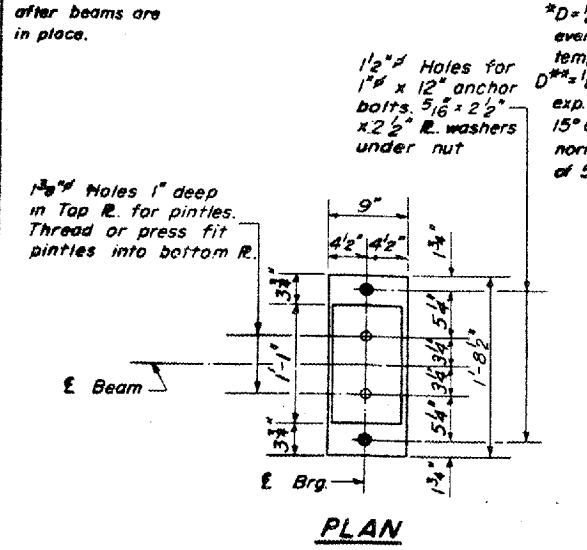
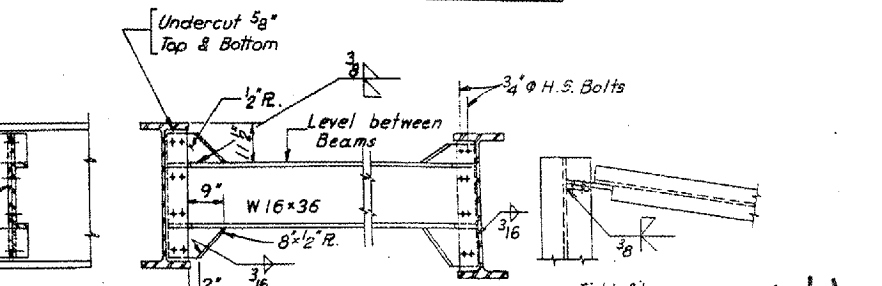
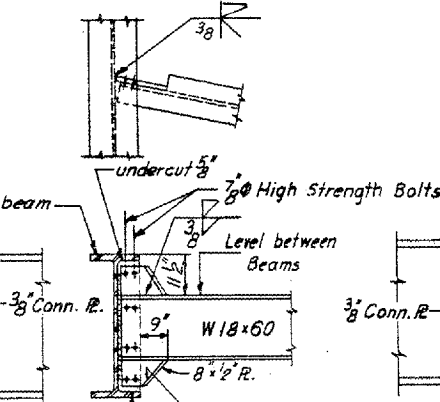
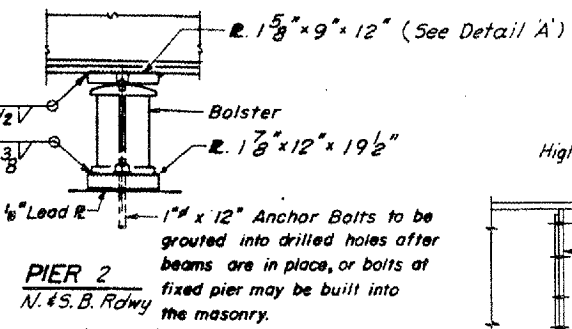
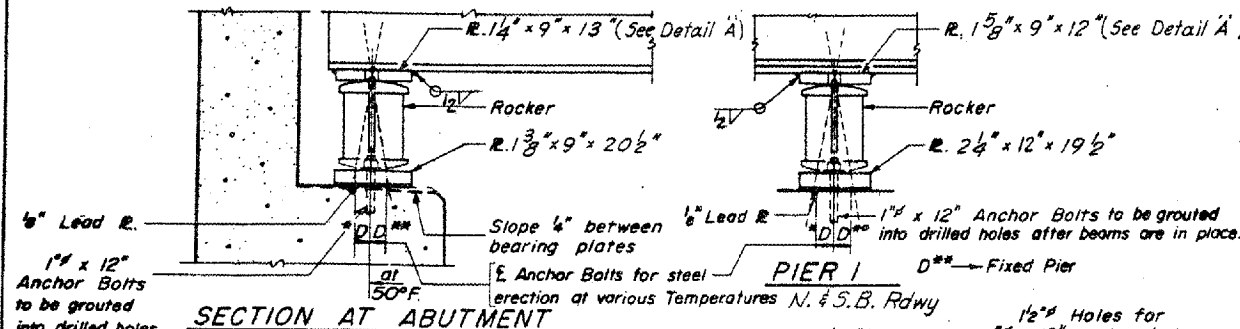
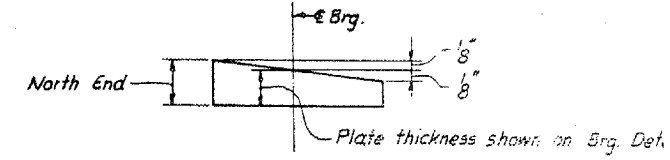
N.B. Rdwy	S.B. Rdwy	Angle P	Angle S
N. Abut		10°-48'	10°-47'
S. Abut		13°-48'	13°-33'
	N. Abut	10°-32'	10°-32'
	S. Abut	13°-27'	13°-23'



Beam	E Brg. N. Abut.		E Pier 1		E Pier 2		E Brg. S. Abut.	
	Angle α	Angle β	Angle α	Angle β	Angle α	Angle β	Angle α	Angle β
1	0°-03'-16		0°-03'-38		0°-03'-47		0°-04'-31	
2	0°-02'-00		0°-02'-17		0°-02'-17		0°-02'-55	
3	0°-00'-44		0°-00'-55		0°-00'-47		0°-01'-19	
4		0°-00'-31		0°-00'-26		0°-00'-42		0°-00'-16
5		0°-01'-46		0°-01'-47		0°-02'-11		0°-01'-51
6		0°-03'-01		0°-03'-08		0°-03'-40		0°-03'-26
7	0°-03'-27		0°-03'-37		0°-04'-02		0°-04'-32	
8	0°-02'-00		0°-02'-19		0°-02'-36		0°-03'-01	
9	0°-01'-00		0°-01'-01		0°-01'-10		0°-01'-29	
10		0°-00'-27		0°-00'-16		0°-00'-15		0°-00'-02
11		0°-01'-22		0°-01'-33		0°-01'-40		0°-01'-42
12		0°-02'-33		0°-02'-50		0°-03'-04		0°-03'-02

EXPANSION GUARD ANGLES  
For section A-A see sheet 3

DETAIL OF TOP BEARING PLATE TO BEAM CONNECTION  
See table for angles



DESIGNED BY J.J.  
DRAWN BY J.J.  
CHECKED BY A.T.

DETAIL OF ROCKER AT ABUTMENTS & PIERS 1

DETAIL OF BOLSTER AT PIERS 2

DETAIL OF SPLICE 1 & 2

FOR INFORMATION ONLY

STATE OF ILLINOIS  
DIVISION OF HIGHWAYS  
STRUCTURAL STEEL  
F.A.I. ROUTE 474  
OVER  
C. & N.W. RY.  
STA. 252 + 62.17  
F.A.I. RT 474 PEORIA COUNTY SECTION 72-3VB  
CHRISTIAN-ROGE AND ASSOC  
ENGINEERS  
CHICAGO ILLINOIS