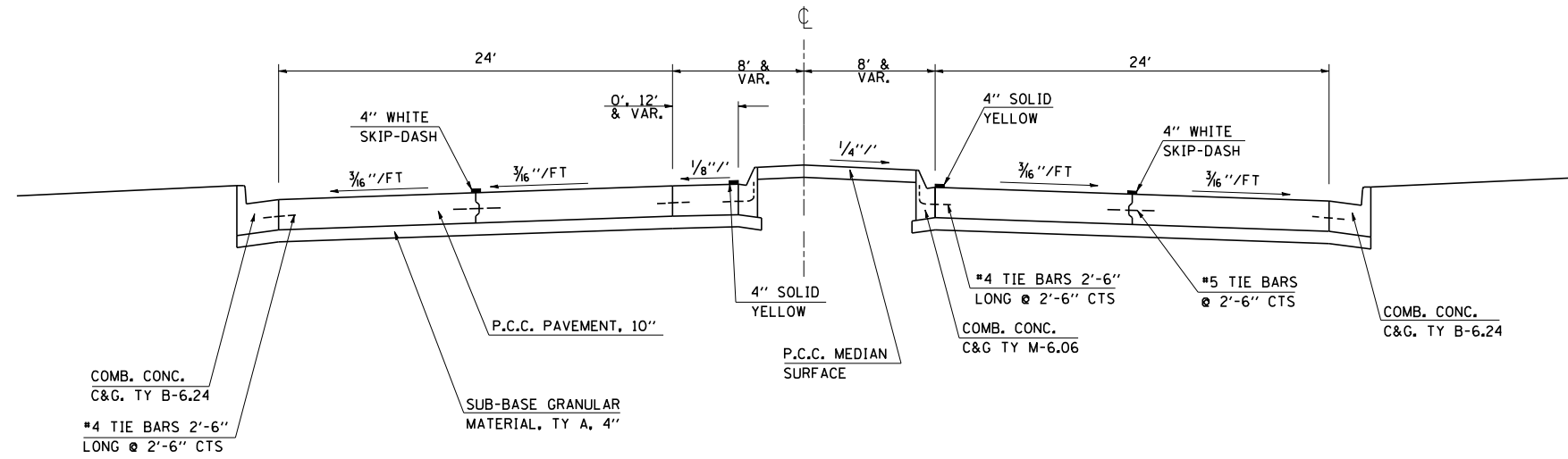


F.A.P. RTE.	SECTION	COUNTY	TOTAL SHEETS	SHEET NO.
808	(3R,3X)RS	CHAMPAIGN	47	7

EXISTING TYPICAL CROSS-SECTION

STA 42+00.00 TO STA 46+34.93
 STA EQUATION: STA 46+34.93 (BK) = STA 1+80.75 (AH)
 STA 1+80.75 TO STA 6+00.00



COMB. CONC.
 C&G. TY B-6.24
 #4 TIE BARS 2'-6"
 LONG @ 2'-6" CTS

SUB-BASE GRANULAR
 MATERIAL, TY A, 4"

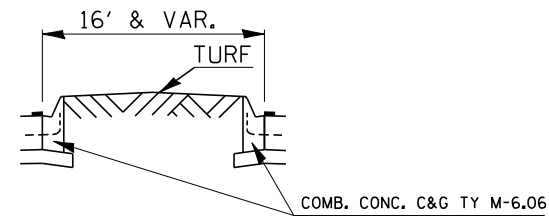
P.C.C. MEDIAN
 SURFACE

4" SOLID
 YELLOW
 #4 TIE BARS 2'-6"
 LONG @ 2'-6" CTS
 COMB. CONC.
 C&G TY M-6.06

4" WHITE
 SKIP-DASH
 3/16" / FT
 4" WHITE
 SKIP-DASH
 3/16" / FT
 COMB. CONC.
 C&G. TY B-6.24

MEDIAN DETAIL

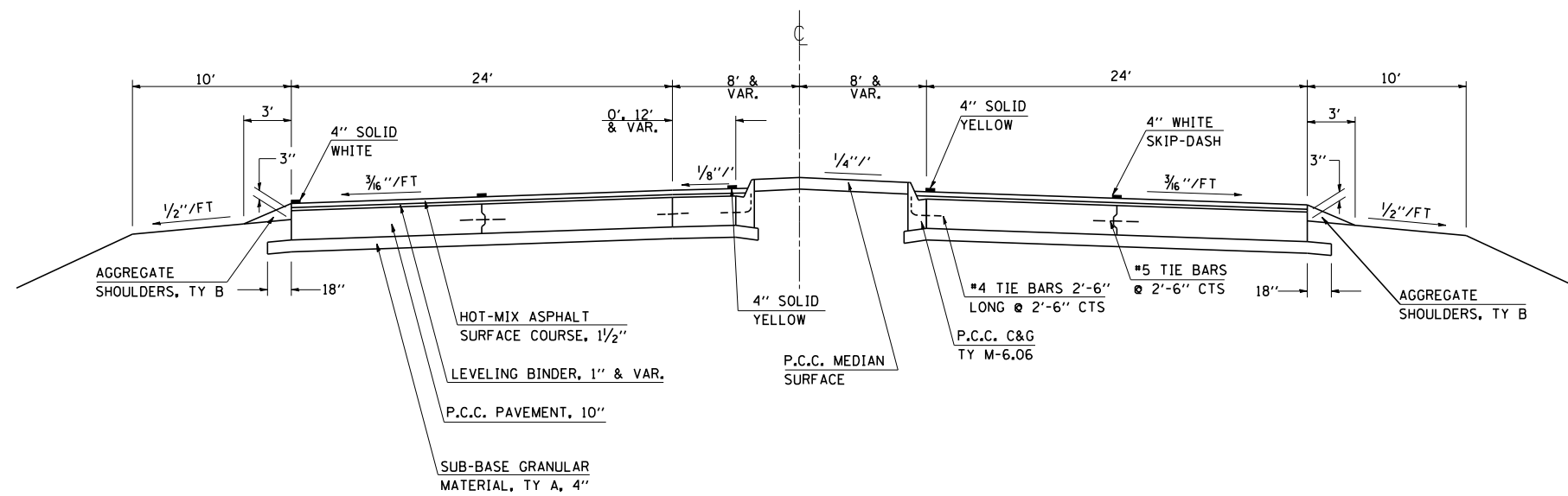
STA 4+00 TO STA 6+00



COMB. CONC. C&G TY M-6.06

EXISTING TYPICAL CROSS-SECTION

STA 6+00.00 TO STA 7+94.88



AGGREGATE
 SHOULDERS, TY B

HOT-MIX ASPHALT
 SURFACE COURSE, 1 1/2"

LEVELING BINDER, 1" & VAR.

P.C.C. PAVEMENT, 10"

SUB-BASE GRANULAR
 MATERIAL, TY A, 4"

P.C.C. MEDIAN
 SURFACE

4" SOLID
 YELLOW
 #4 TIE BARS 2'-6"
 LONG @ 2'-6" CTS
 P.C.C. C&G
 TY M-6.06

4" SOLID
 WHITE
 3/16" / FT
 4" SOLID
 YELLOW
 3/16" / FT
 4" WHITE
 SKIP-DASH
 3/16" / FT
 #5 TIE BARS
 @ 2'-6" CTS
 18"

AGGREGATE
 SHOULDERS, TY B