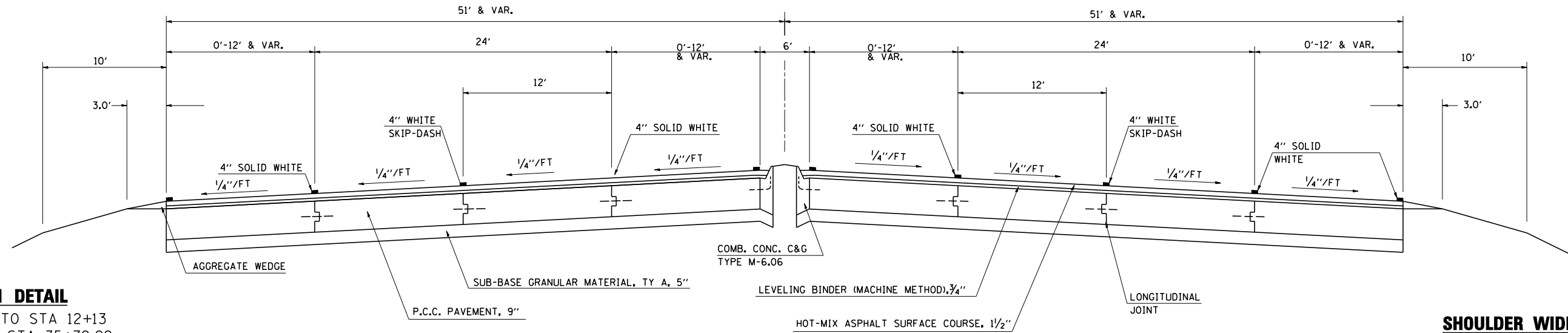


F.A.P. RTE.	SECTION	COUNTY	TOTAL SHEETS	SHEET NO.
808	(3R,3X)RS	CHAMPAIGN	47	8

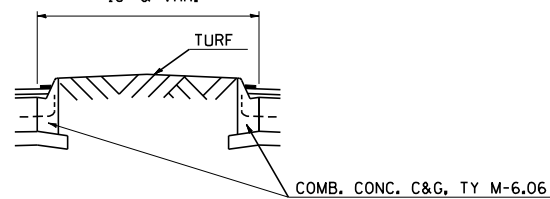
# EXISTING TYPICAL CROSS-SECTION

STA 7+94.88 TO STA 35+72.92



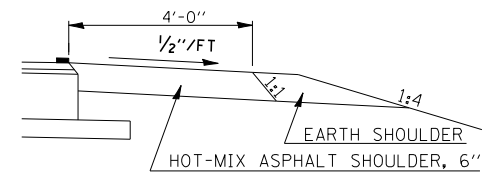
## MEDIAN DETAIL

STA 7+94.88 TO STA 12+13  
STA 18+25 TO STA 35+72.92  
16' & VAR.



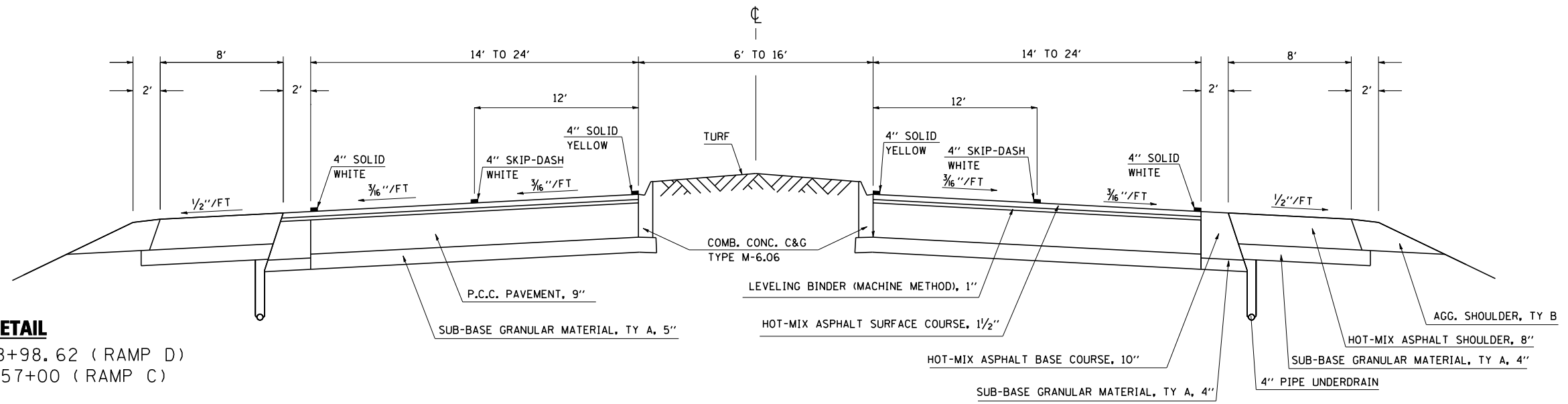
## SHOULDER WIDENING DETAIL

RT STA. 9+15.34 TO 14+25.58  
LT STA. 15+97.90 TO 20+59.24



# EXISTING TYPICAL CROSS-SECTION

STA 35+72.92 TO STA 46+00  
STA 55+62.7 TO STA 58+98.62 (RAMP D)  
STA 55+62.7 TO STA 57+00 (RAMP C)



## MEDIAN DETAIL

STA 55+62.7 TO STA 58+98.62 (RAMP D)  
STA 55+62.7 TO STA 57+00 (RAMP C)

