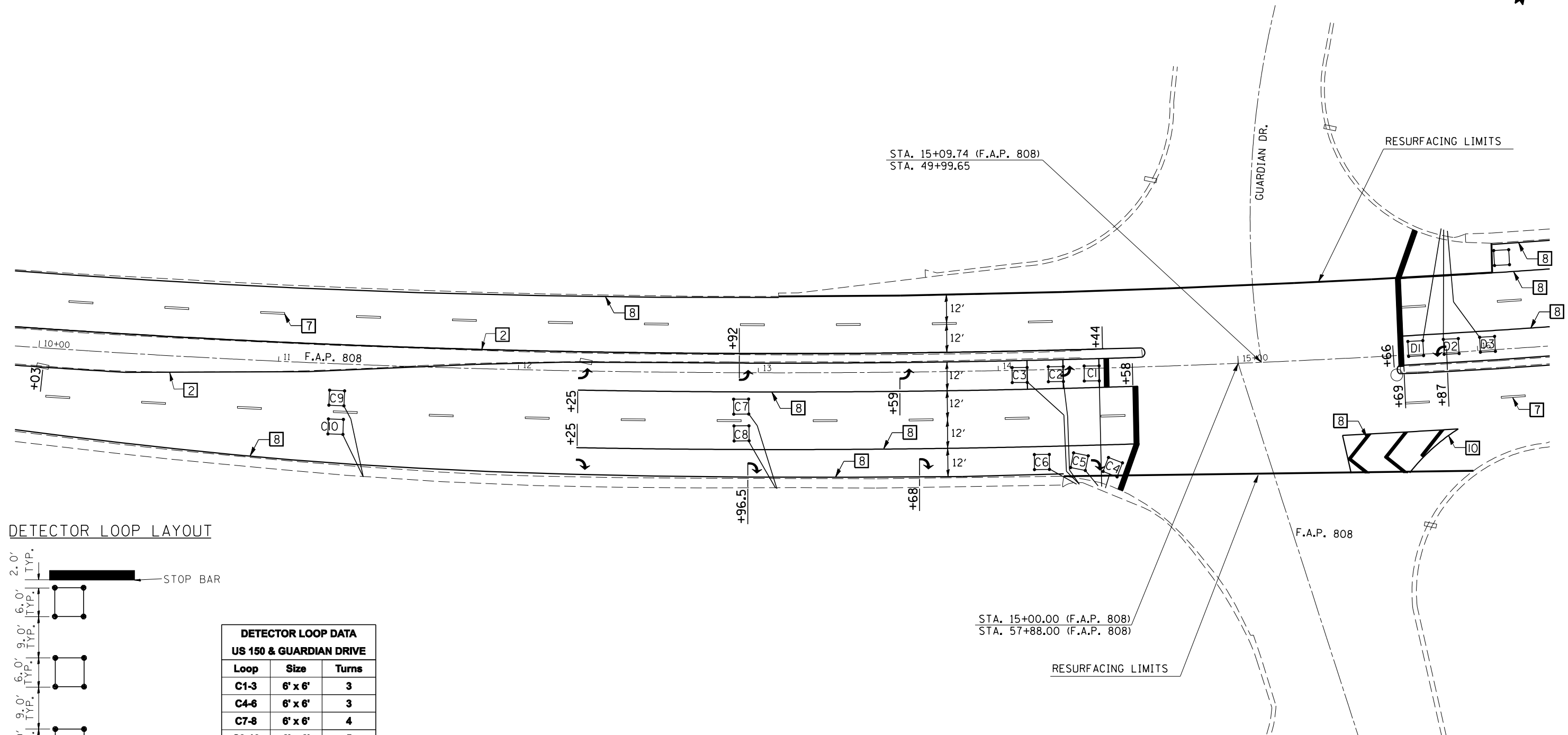
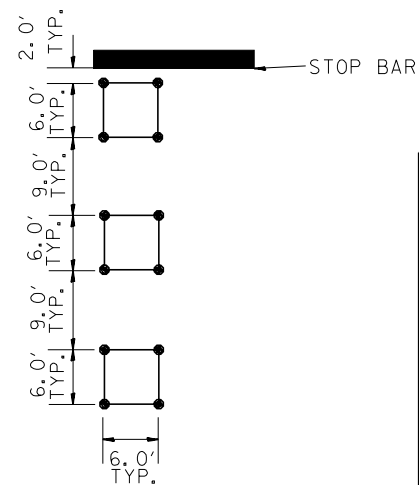


T 19 N, R 9 E, SEC. 9, 3RD P.M.

CONTRACT NO. 70122				
F.A.P. RTE.	SECTION	COUNTY	TOTAL SHEETS	SHEET NO.
808	(3X,3R)RS	CHAMPAIGN	47	30
STA. 10+00		TO STA. 16+00		
FED. ROAD DIST. NO.	ILLINOIS	FED. AID PROJECT		



DETECTOR LOOP LAYOUT



DETECTOR LOOP DATA US 150 & GUARDIAN DRIVE		
Loop	Size	Turns
C1-3	6' x 6'	3
C4-6	6' x 6'	3
C7-8	6' x 6'	4
C9-10	6' x 6'	5
D1-3	6' x 6'	5
D4	6' x 6'	5
D5-6	6' x 6'	6
D7-8	6' x 6'	7

STA. 15+00.00 (F.A.P. 808)
STA. 57+88.00 (F.A.P. 808)

RESURFACING LIMITS

REVISIONS	
NAME	DATE

ILLINOIS DEPARTMENT OF TRANSPORTATION

PAVEMENT MARKING &
DETECTOR LOOP PLANS

SCALE: VERT.
HORIZ.
DATE

DRAWN BY
CHECKED BY