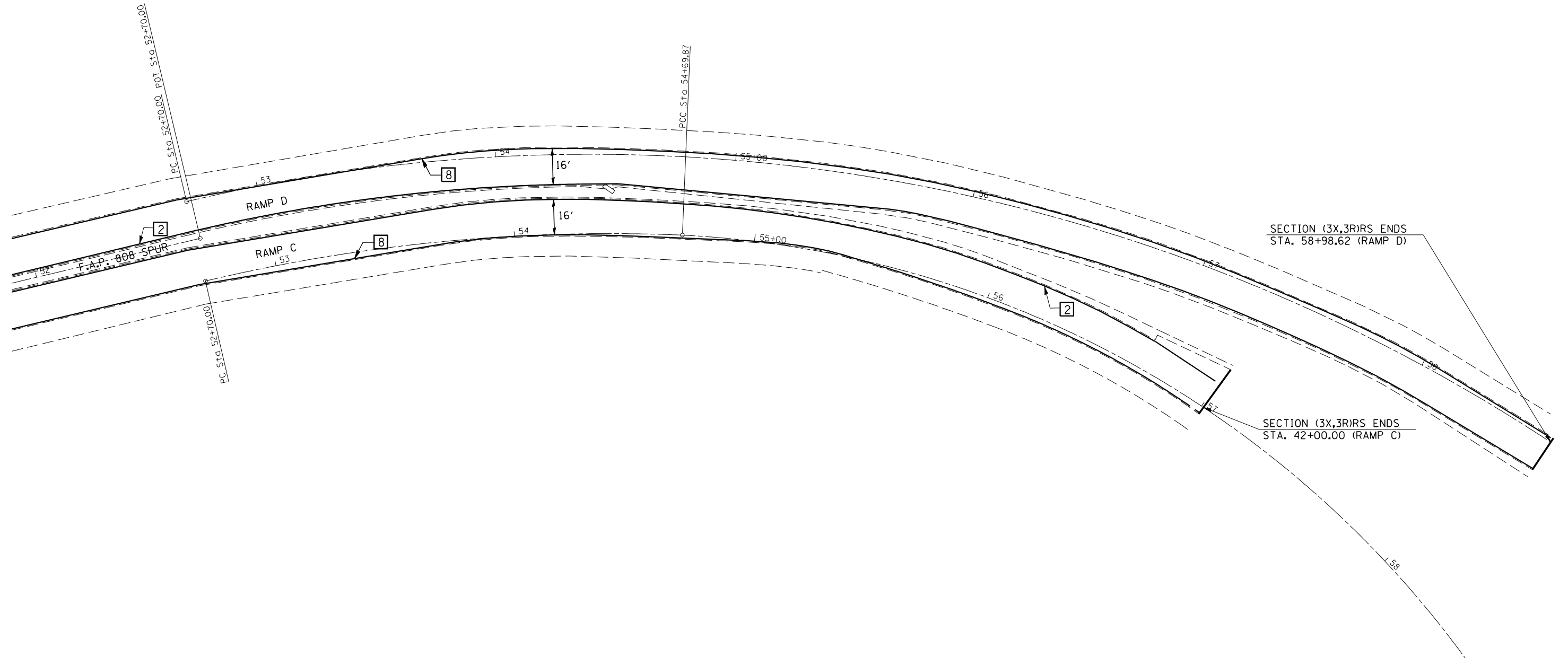


F.A.P. RTE.	SECTION	COUNTY	TOTAL SHEETS	SHEET NO.
808	(3X,3R)RS	CHAMPAIGN	47	37
STA. 52+00		TO STA. 58+98.62		
FED. ROAD DIST. NO.	ILLINOIS	FED. AID PROJECT		

T 19 N, R 9 E, SEC. 10, 3RD P.M.



PLOT DATE = 10/24/2005
 FILE NAME = c:\projects\6595200 (v8)\70122\plansheets\pdr
 PLOT SCALE = 42,352% / IN.
 USER NAME = carrollt

REVISIONS	
NAME	DATE

ILLINOIS DEPARTMENT OF TRANSPORTATION

PAVEMENT MARKING &
 DETECTOR LOOP PLANS

SCALE: VERT. DRAWN BY
 HORIZ. CHECKED BY
 DATE