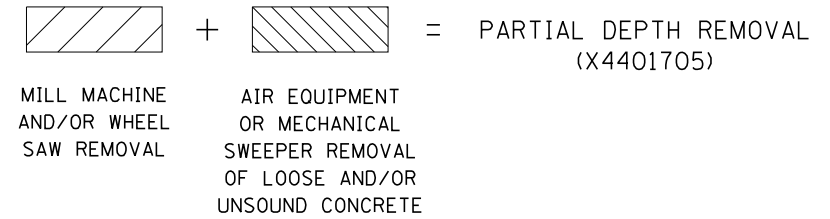
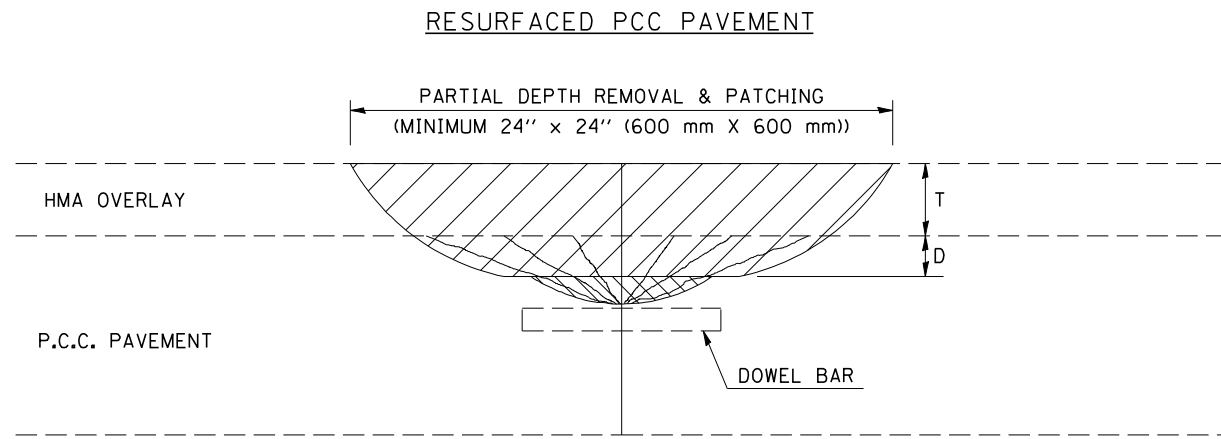


F.A.P. RTE.	SECTION	COUNTY	TOTAL SHEETS	SHEET NO.
808	(3R,3)RS	CHAMPAIGN	47	45

PCC PARTIAL DEPTH HOT-MIX ASPHALT PATCHING



DESIGN NOTES

PARTIAL DEPTH HMA PATCHING SHALL NOT BE USED WHEN HMA OVERLAY THICKNESS (T) ON PCC PAVEMENT EXCEEDS 4 3/4 INCHES (145 mm) OR ON CRC PAVEMENT.

USE WITH RECURRING SPECIAL PROVISION CHECK SHEET #15.

GENERAL NOTES

ALL VOLUME OF PARTIAL DEPTH REMOVAL SHALL BE REPLACED WITH HOT-MIX ASPHALT (HMA) AND PAID FOR AT THE CONTRACT UNIT PRICE PER TON FOR PARTIAL DEPTH PATCHING.

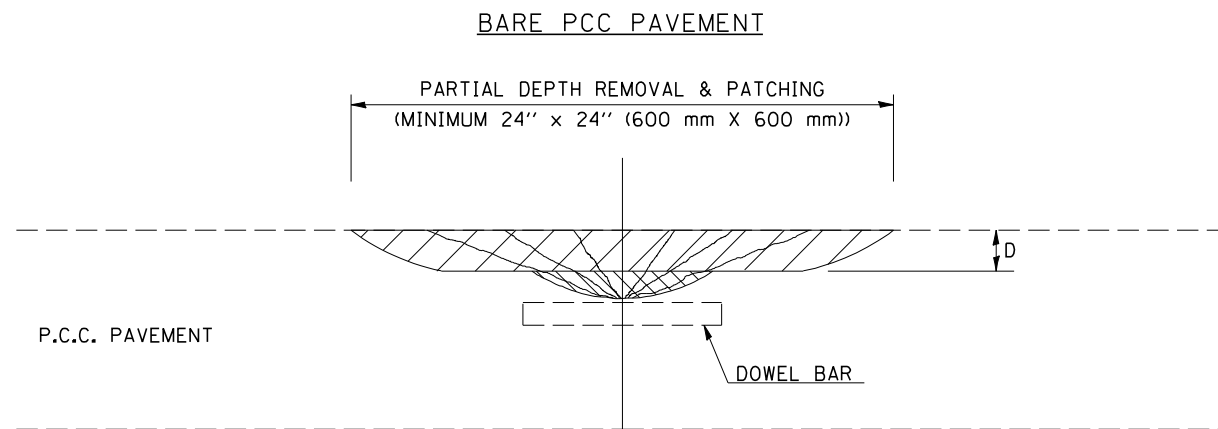
T = THICKNESS OF HMA OVERLAY(S). SEE EXISTING TYPICAL CROSS SECTION.

GENERAL NOTE 406H SHALL INCLUDE MIXTURE REQUIREMENTS FOR PARTIAL DEPTH PATCHING.

HMA REPLACEMENT IN RESURFACED PCC PAVEMENT LOCATIONS SHALL BE ACCORDING TO SECTION 406 OF THE STANDARD SPECIFICATIONS.

D = DEPTH OF PARTIAL DEPTH REMOVAL INTO EXISTING PCC PAVEMENT. (3" (75 mm) ± OR TO SOUND CONCRETE)

TRANSVERSE CONTRACTION JOINT SHOWN - OTHER LOCATIONS SIMILAR.



PLOT DATE = 10/24/2006
 FILE NAME = c:\projects\4595200 (v8)\test.dgn
 PLOT SCALE = 42,352% / IN.
 USER NAME = carrollt

	NAME	DATE	REVISIONS	
			NAME	DATE
DESIGNED	T.J.B.	08/06		
CHECKED				
CADD NO.	X4421000			

ALL DIMENSIONS ARE IN INCHES (MILLIMETERS) UNLESS OTHERWISE SHOWN.