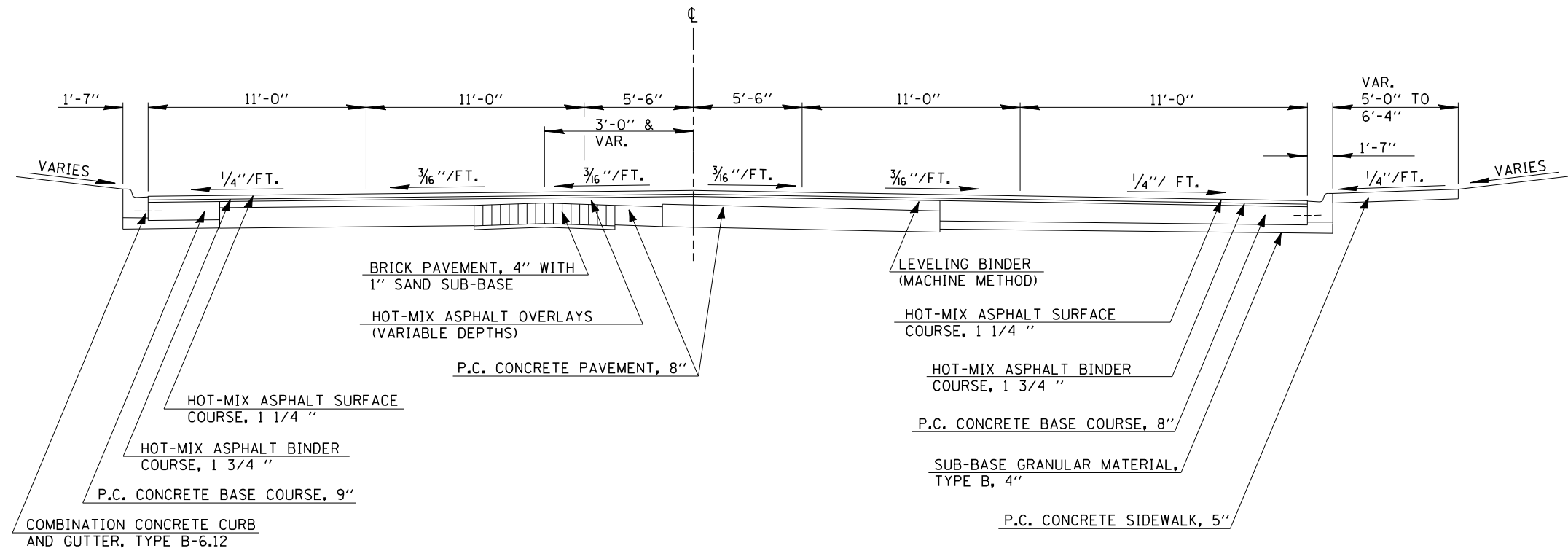


F.A.P. RTE.	SECTION	COUNTY	TOTAL SHEETS	SHEET NO.
804	125R/RS	CHAMPAIGN	50	7

EXISTING TYPICAL CROSS SECTION

STATION 36+63.92 TO STATION 40+00.00



EXISTING TYPICAL CROSS SECTION

STATION 40+00.00 TO STATION 43+44.73 BK =
 STATION 43+44.41 AH TO STATION 47+12.10 BK =
 STATION 47+12.24 AH TO STATION 60+61.22 BK =
 STATION 60+61.26 AH TO STATION 68+00.00

