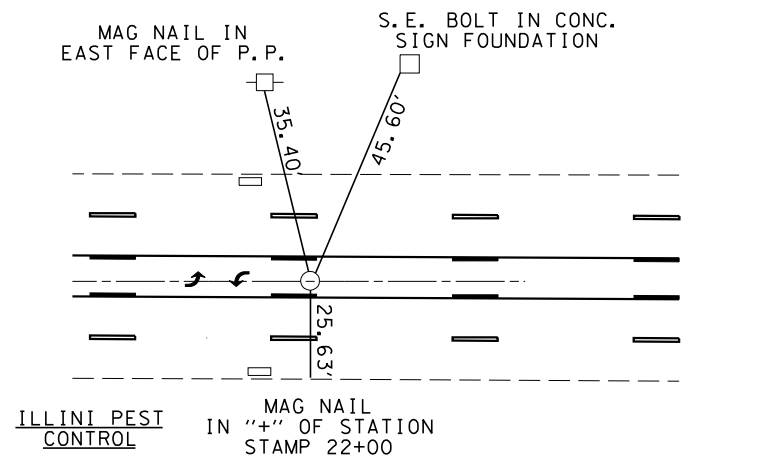


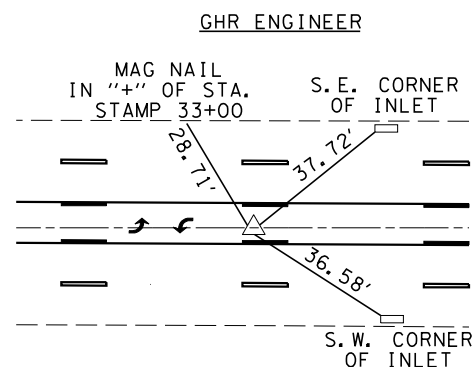
TIE POINT LAYOUT

CONTRACT NO. 70186

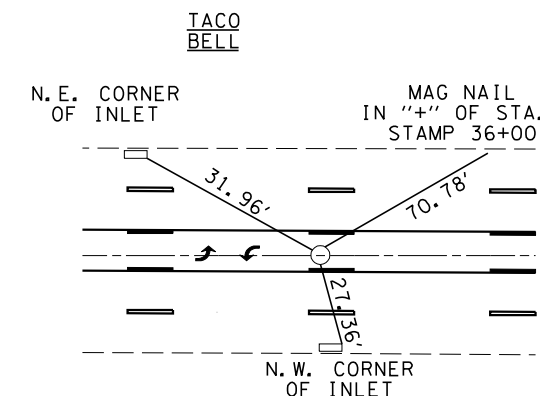
P.O.T. #50 22+00
MAG NAIL



P.I. KINK #52 32+87.71
MAG NAIL

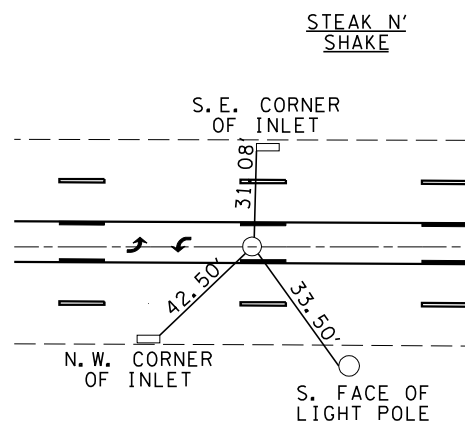


P.C. #53 36+63.94
MAG NAIL

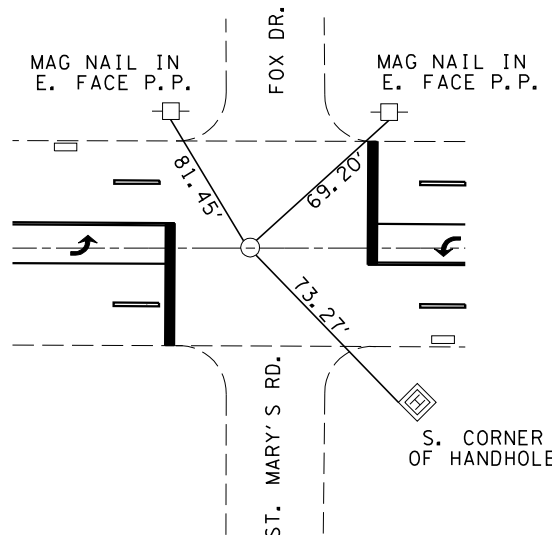


F.A.P. RTE.	SECTION	COUNTY	TOTAL SHEETS	SHEET NO.
804	125RIRS	CHAMPAIGN	50	19
FED. ROAD DIST. NO.		ILLINOIS FED. AID PROJECT		TO STA.

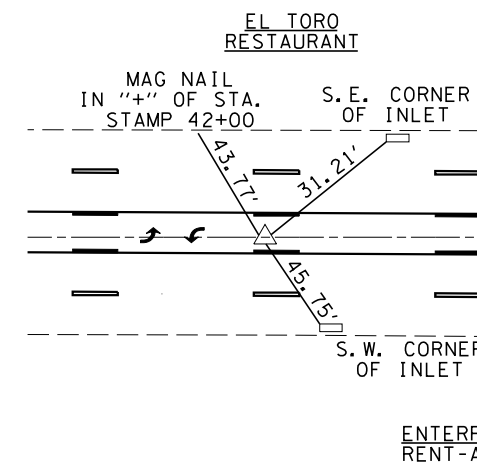
P.I. #54 38+26.49
MAG NAIL



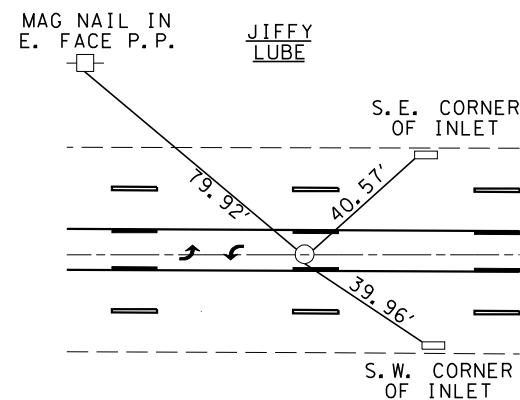
P.R.C. #55 39+88.98
MAG NAIL



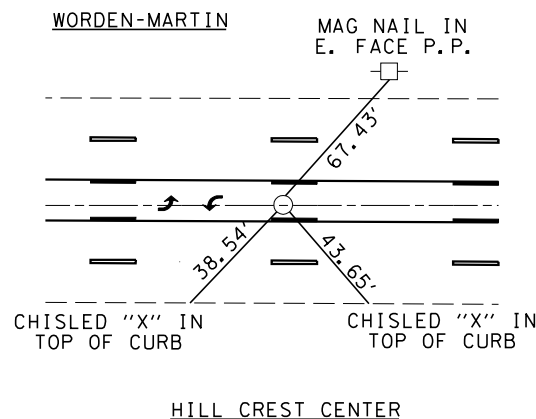
P.I. #56 41+66.90
MAG NAIL



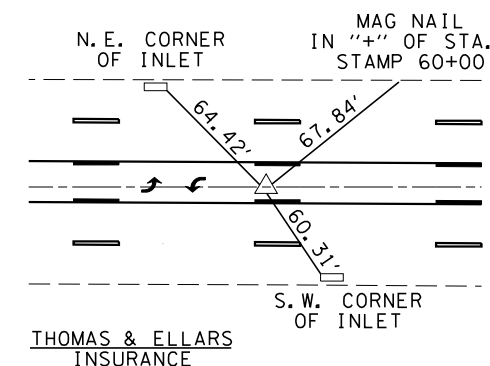
P.T. #57 43+44.74 BK = 43+44.41 AH
MAG NAIL



STA. EQ. #58 & 61
47+11.78 BK = 47+12.28 AH
MAG NAIL



P.I. KINK #59 60+61.25
MAG NAIL



PLOT DATE = 10/24/2005
FILE NAME = c:\projects\4593101\c81\vert.dgn
PLOT SCALE = 42.3524' / IN.
USER NAME = crollrt