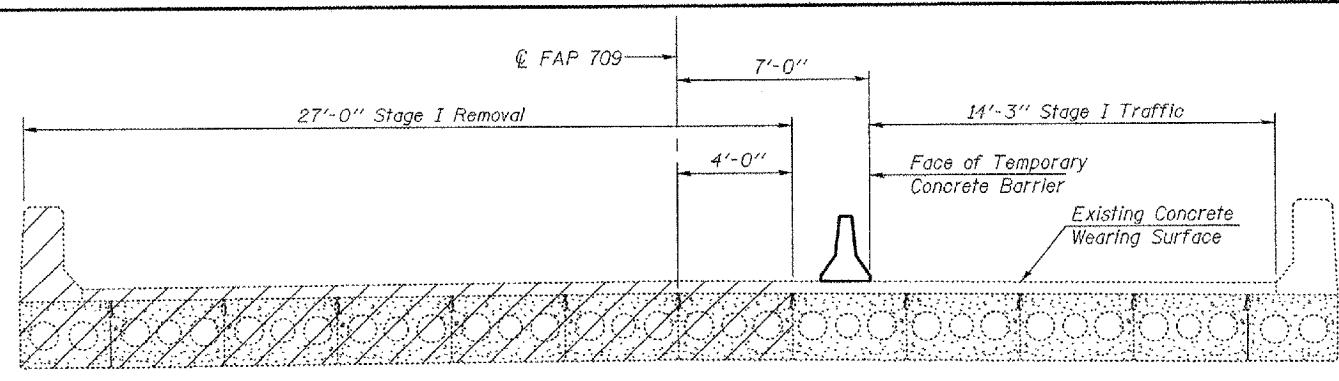
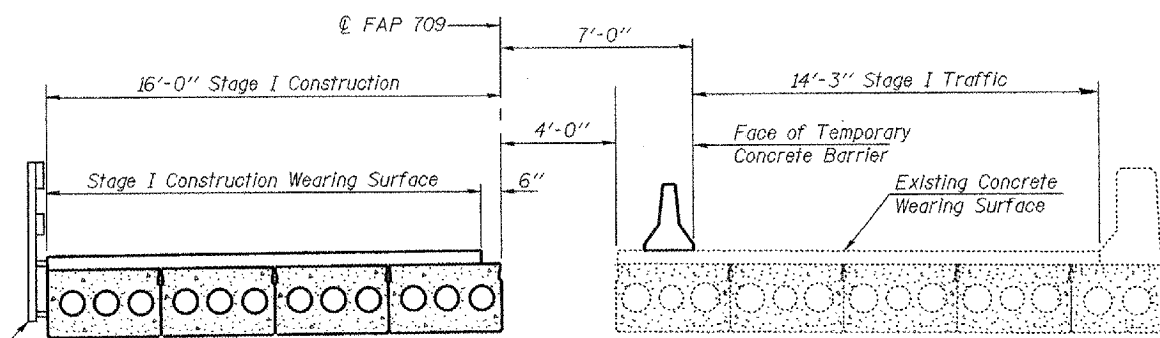


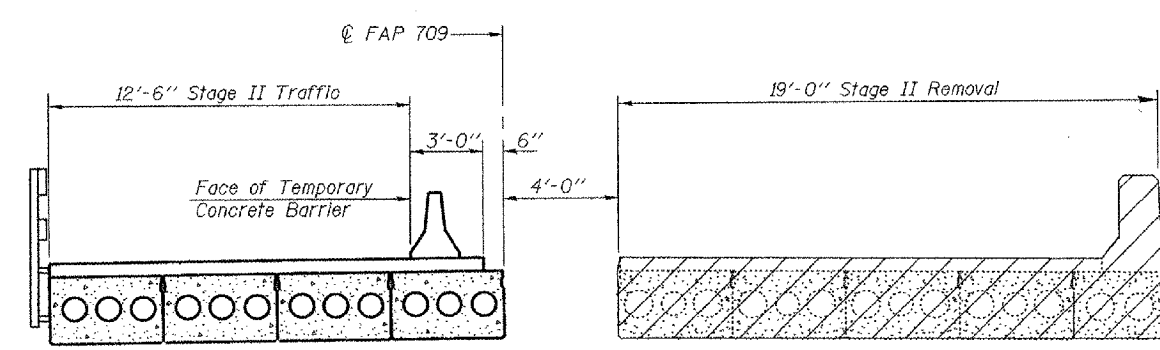
Contract #70262



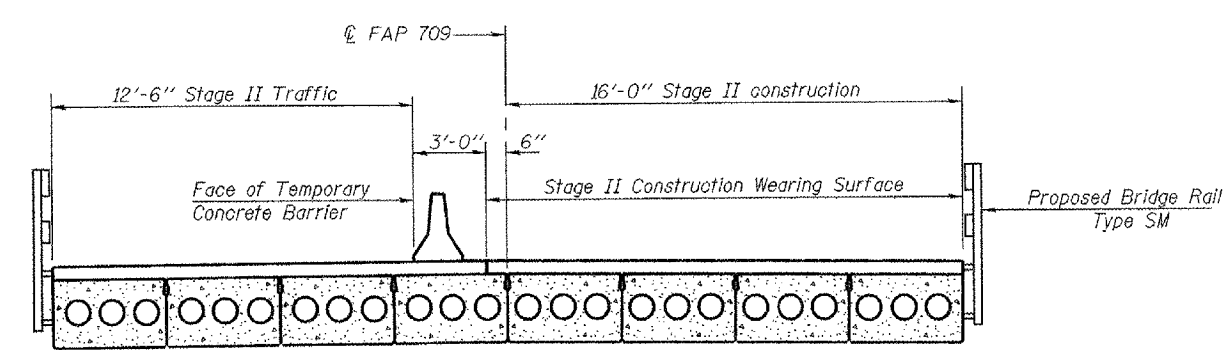
STAGE I REMOVAL
(Looking East)



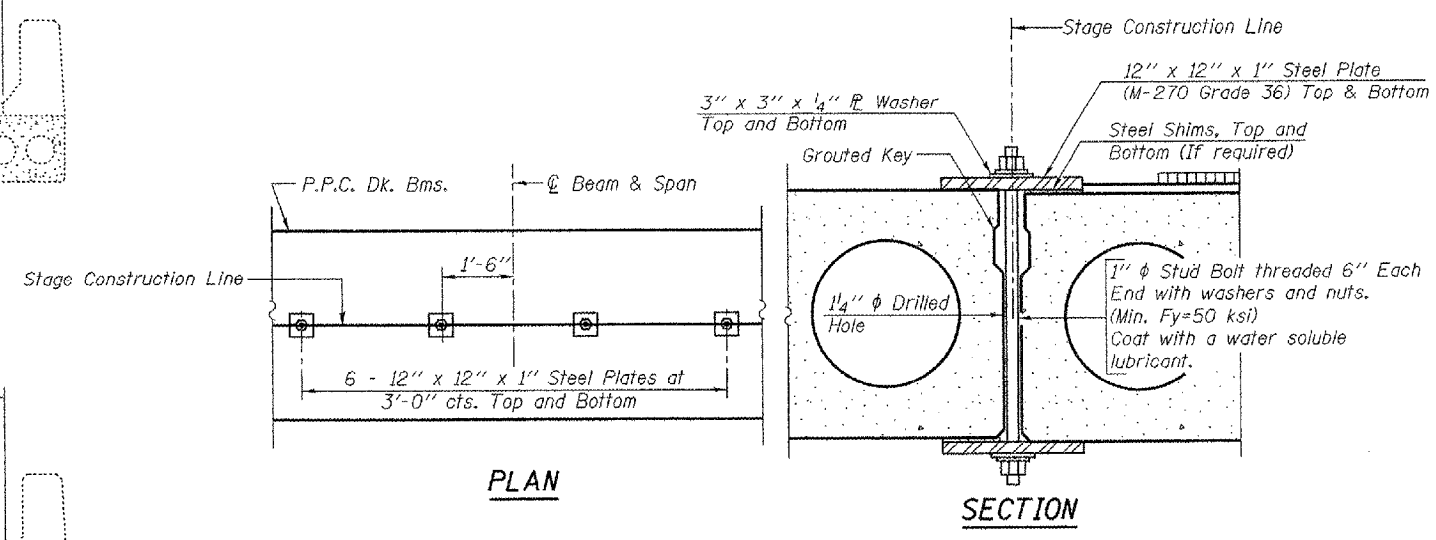
STAGE I CONSTRUCTION
(Looking East)



STAGE II REMOVAL
(Looking East)

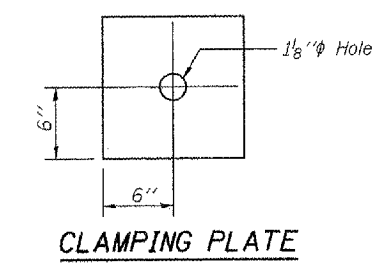


STAGE II CONSTRUCTION
(Looking East)

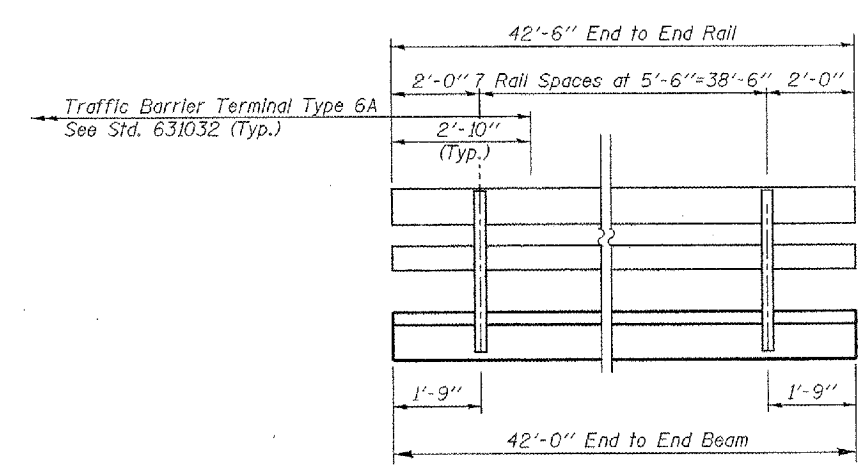


SHEAR KEY CLAMPING DETAILS AT STAGE CONSTRUCTION JOINT

Cost of clamping device included in Precast Prestressed Concrete Deck Beams.



CLAMPING PLATE



RAIL POST SPACING
(Showing Outside Face of Railing)

NOTES

Hatched area indicates Removal of Existing Superstructures.
Removal of Existing concrete wearing surface and parapet are included with Removal of Existing Superstructures.
See Roadway plans for quantity of Temporary Concrete Barrier.

ILLINOIS DEPARTMENT OF TRANSPORTATION	
SHEET TITLE STAGED CONSTRUCTION	
PROJECT US ROUTE 136 OVER LONE TREE CREEK FAP ROUTE 709 SECTION 104BR-1 CHAMPAIGN COUNTY STATION 1458+06.74 STRUCTURE NUMBER 010-0058	PROJECT NO. 03061-8 DATE 12/04/06 DRAWN BY TFC CHECKED BY BD/REG/MCB DRAWING NO.
COOMBE-BLOXDORF P.C. Engineers / Land Surveyors Springfield, Illinois Design Firm License No. 184-002703	2 OF 8 SHTS

PLOT DATE = 12/04/06
 FILE NAME = E:\010-0058-shr-2-stage-constr.dgn
 PLOT SCALE = 0:10000 1/8" = 1'-0"
 USER NAME = TFC