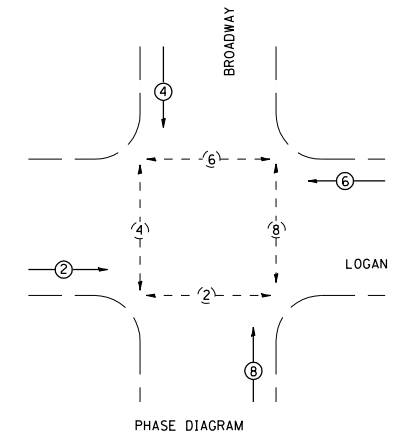
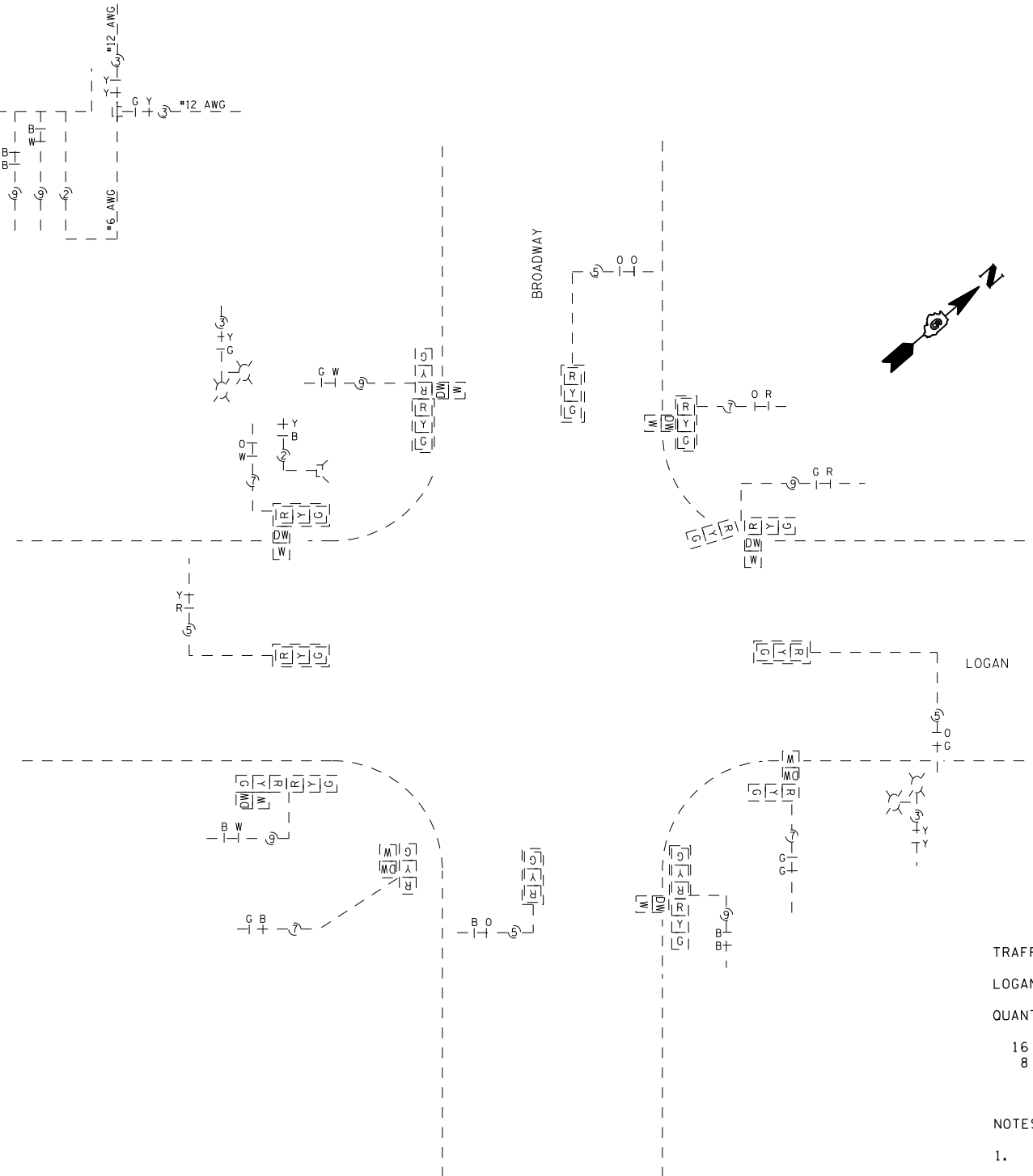
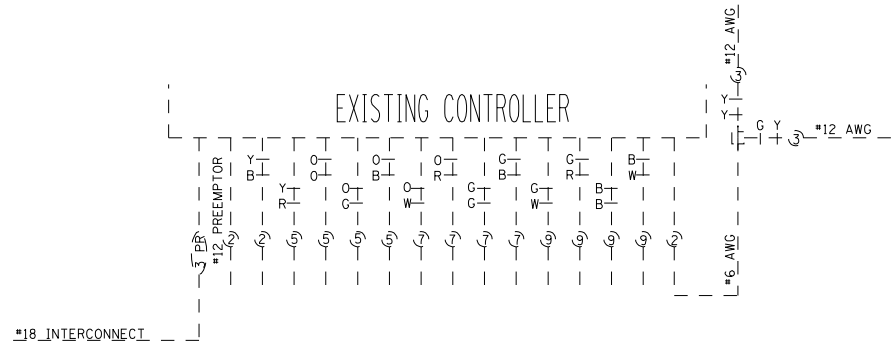


F.A. RTE.	SECTION	COUNTY	TOTAL SHEETS	SHEET NO.
•	••	VARIOUS	30	11
STA.		TO STA.		
FED. ROAD DIST. NO.	ILLINOIS	FED. AID PROJECT		
• VARIOUS				
•• D-6 TRAFFIC SIGNAL MOD 2004-2				



TRAFFIC SIGNAL QUANTITIES

LOGAN ST. & BROADWAY ST. (LINCOLN)

QUANTITY	UNIT	ITEM
16	EACH	REBUILD EXISTING TRAFFIC SIGNAL FACE, 3-SECTION, LED
8	EACH	REBUILD EXISTING PEDESTRIAN SIGNAL HEAD FACE, LED

NOTES:

- REBUILD EXISTING SIGNAL HEAD FACE SHALL INCLUDE REMOVING BACK REFLECTOR AND REPLACING ALL INCANDESCENT LAMPS AND LENSES WITH LED INDICATIONS.
- EXISTING PEDESTRIAN SIGNAL HOUSINGS ARE RECTANGULAR 16" X 18"

PLOT DATE = 10/24/2006
 FILE NAME = c:\p\projects\652884\ts\sheets.m32
 PLOT SCALE = 4.23525 / IN.
 USER NAME = laughlin-1

REVISIONS	
NAME	DATE

ILLINOIS DEPARTMENT OF TRANSPORTATION
EXISTING TRAFFIC SIGNALS
 LOGAN ST & BROADWAY ST
 LOGAN COUNTY

SCALE: VERT. DRAWN BY KDA
 HORIZ.
 DATE MAY '06 CHECKED BY