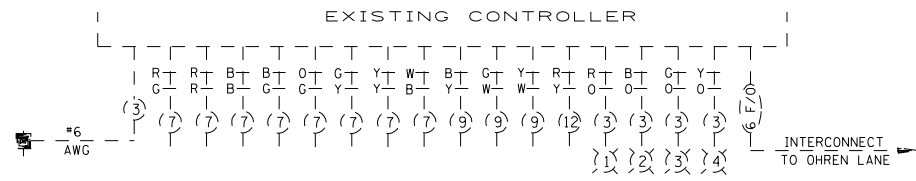
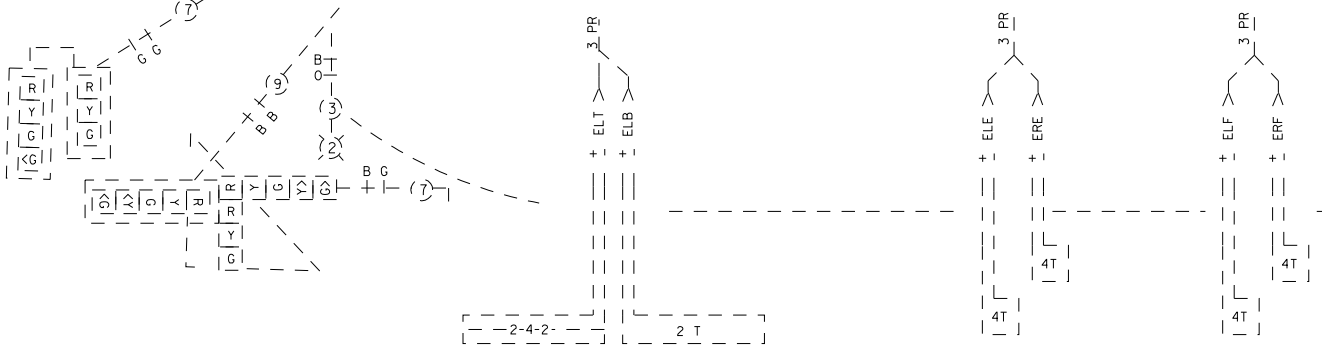
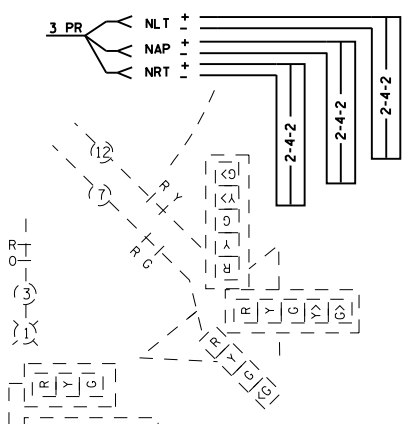
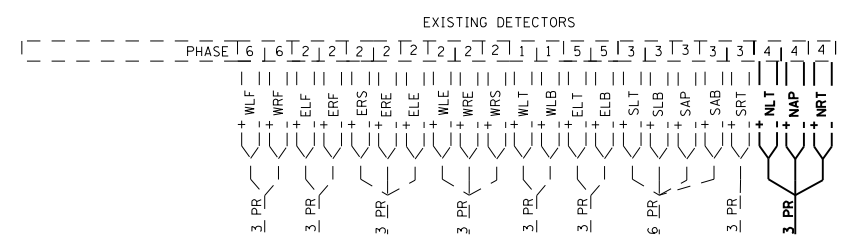
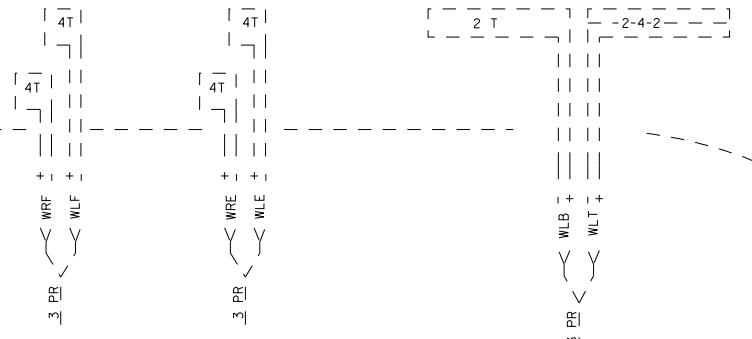


F.A. RTE.	SECTION	COUNTY	TOTAL SHEETS	SHEET NO.
*	**	VARIOUS	30	18
STA.		TO STA.		
FED. ROAD DIST. NO.	ILLINOIS	FED. AID PROJECT		
* VARIOUS				
** D-6 TRAFFIC SIGNAL MOD 2004-2				

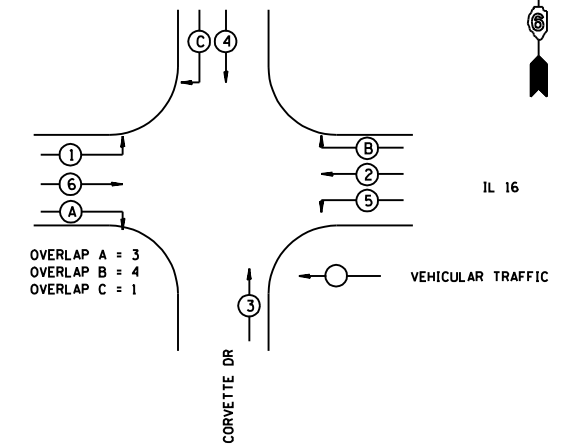


CORVETTE DR

IL 16



SEQUENCE OF OPERATION



REVISIONS	
NAME	DATE

ILLINOIS DEPARTMENT OF TRANSPORTATION

EXISTING TRAFFIC SIGNALS

IL 16 & CORVETTE DR
MONTGOMERY COUNTY

SCALE: VERT. DRAWN BY KDA
 HORIZ. CHECKED BY
 DATE MAY '06