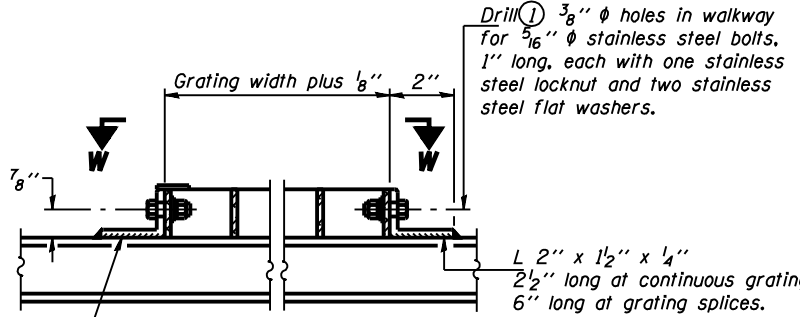
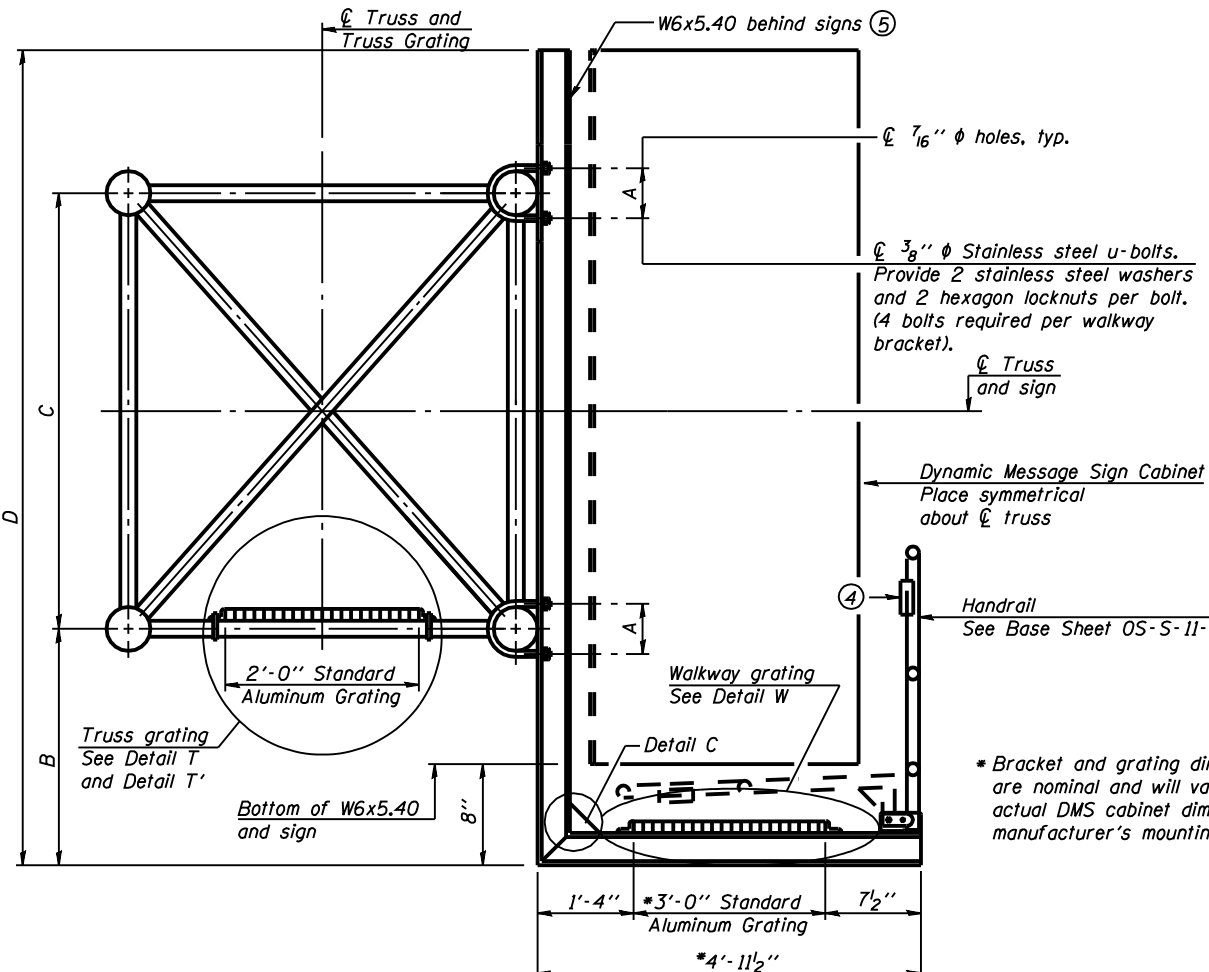
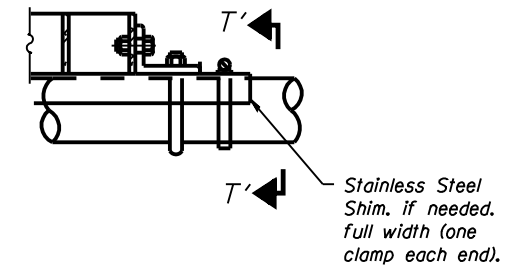


**STATE OF ILLINOIS
DEPARTMENT OF TRANSPORTATION**

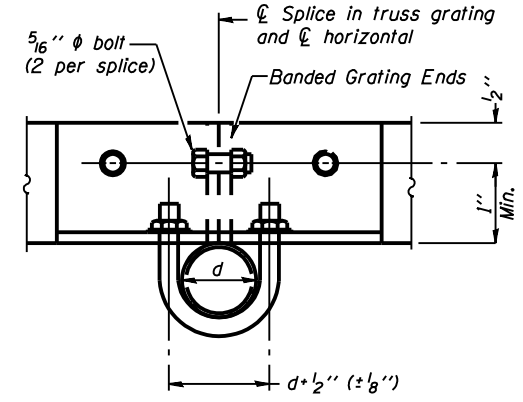
ROUTE NO.	SECTION	COUNTY	SHEETS	TOTAL SHEETS
F.A.I. 72	D-6 ITS #2	SANGAMON	30	20



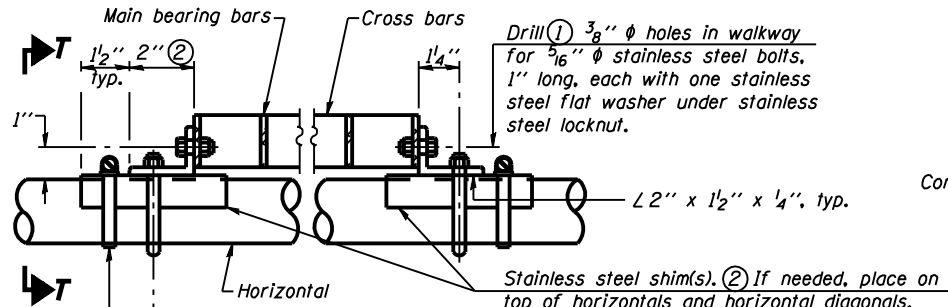
DETAIL W
(Walkway grating)



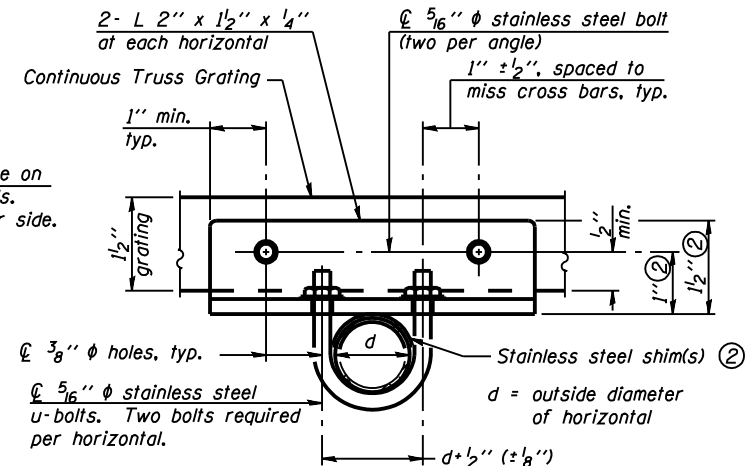
DETAIL T'
(Truss grating splice)
Details not shown same as Detail T. Alternate materials may be used subject to the Engineer's review and approval.



SECTION T'-T'



DETAIL T
(Continuous Truss grating)



SECTION T-T

Screw type stainless steel tube clamp at shim location

3/8" φ holes in angles for 5/16" φ stainless steel u-bolts. Two stainless steel washers and nuts required per bolt. U-bolt and angle connections required at horizontals only.

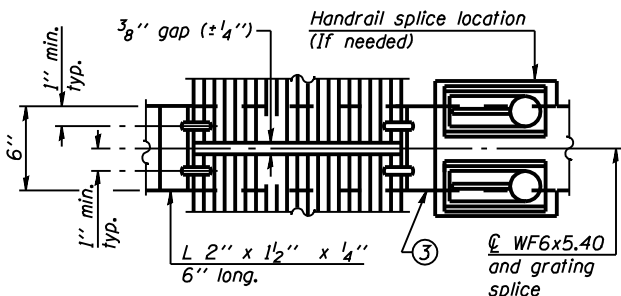
SPECIFICATIONS FOR STANDARD ALUMINUM GRATING

Main Bearing Bars shall be 3/16" x 1 1/2" on 1 3/16" centers and conform to ASTM B211 Alloy 6061-T6.
Cross bars shall be 3/16" x 1 1/2" on 4" centers and conform to ASTM B221 Alloy 6063-T5 or 6061-T6.

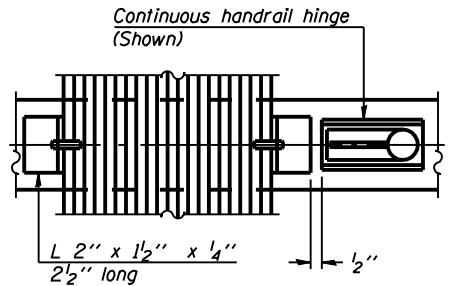
OR

Aluminum Grating with modified "I" sections for main bearing bars shall meet the following requirements:

Main bars shall conform to ASTM B221 Alloy 6061-T6 and have a minimum section modulus equal to 0.0705 in. per bar, a depth of 1 1/2", spaced on 1 3/16" centers.
Cross bars shall conform to ASTM B221 Alloy 6063-T5 or T-42 and spaced on 4" centers.

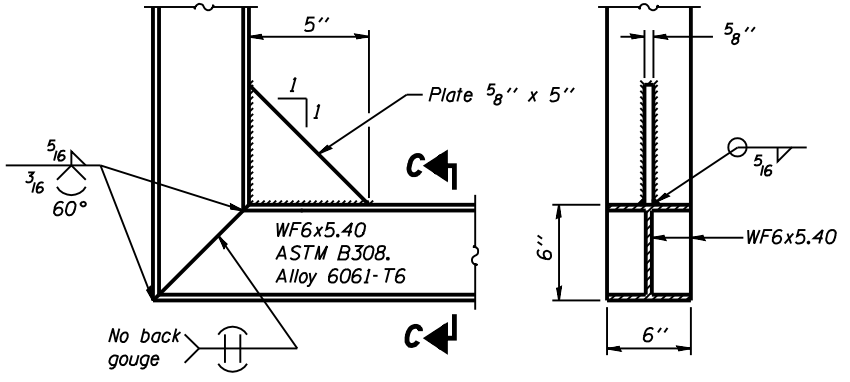
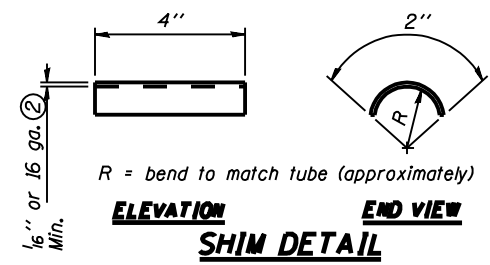


(AT WALKWAY GRATING SPLICE)



(CONTINUOUS WALKWAY GRATING)

SECTION W-W



DESIGNED	
CHECKED	
DRAWN	
CHECKED	

EXAMINED	
PASSED	

NUMBER	REVISION	DATE

**OVERHEAD SIGN STRUCTURES
ALTERNATE ALUMINUM WALKWAY DETAILS
FOR DMS**

F.A.I. 72 (I-72)
SECTION D-6 ITS #2
SANGAMON COUNTY

Structure Number	Station	A	B	C	D
650841072R090.2	467+50.00	7 1/16"	1'-3"	7'-0"	8'-9"
650841072L106.3	171+700.00	7 1/16"	1'-3"	7'-0"	8'-9"