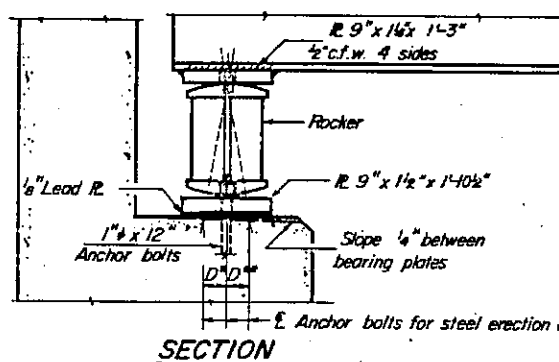
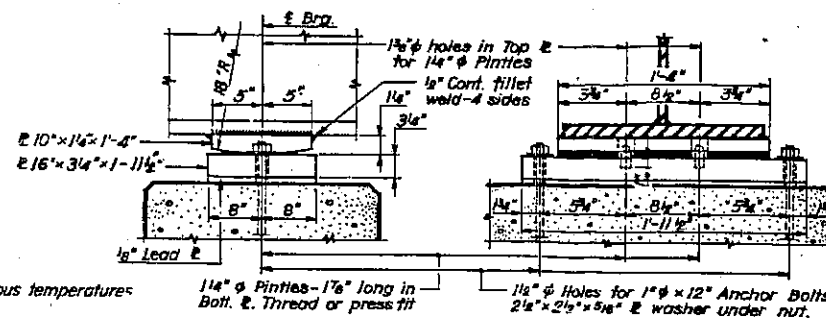


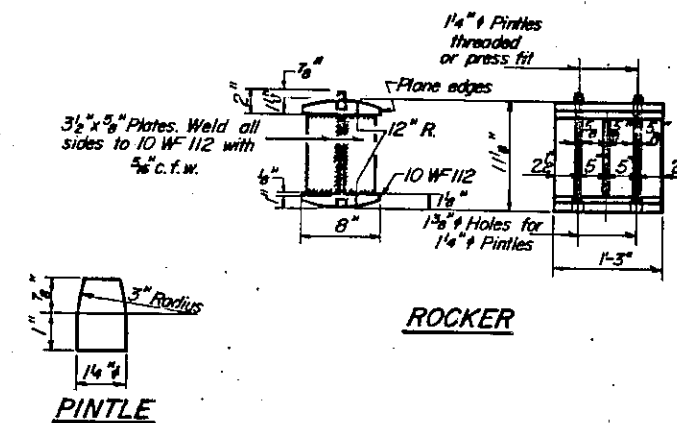
ROUTE NO.	SECTION	COUNTY	TOTAL SHEETS	SHEET NO.
FAJ 55	54-IHB	LOGAN	60	31
FED. ROAD DIV. NO. 7		ILLINOIS	PROJECT	



SECTION

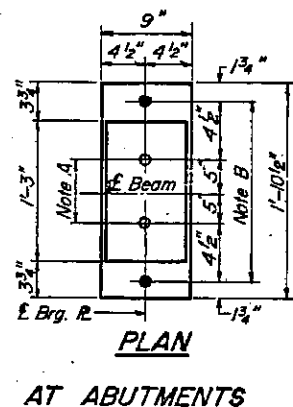


BEARING ASSEMBLY DETAIL

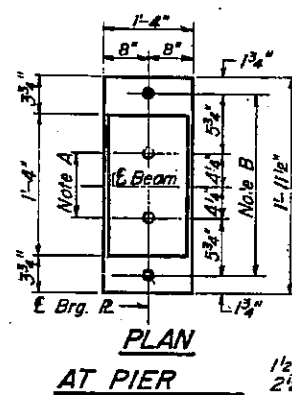


ROCKER

PINTLE



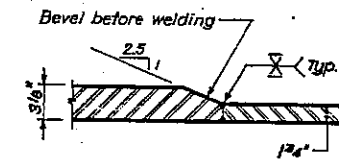
PLAN AT ABUTMENTS



PLAN AT PIER

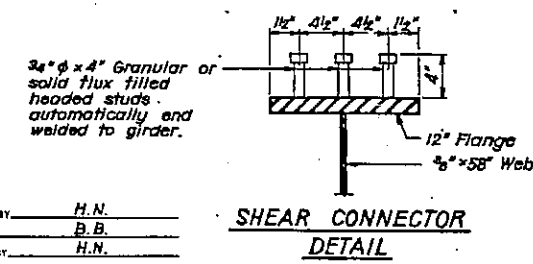
NOTE A
1 3/8" Holes - 1" deep in top flange for pintles. Thread or press fit pintles into bottom flange.

NOTE B
1 1/2" Holes for 1" anchor bolts. 2 1/2" x 2 1/2" x 5/16" R. Washers under nut.

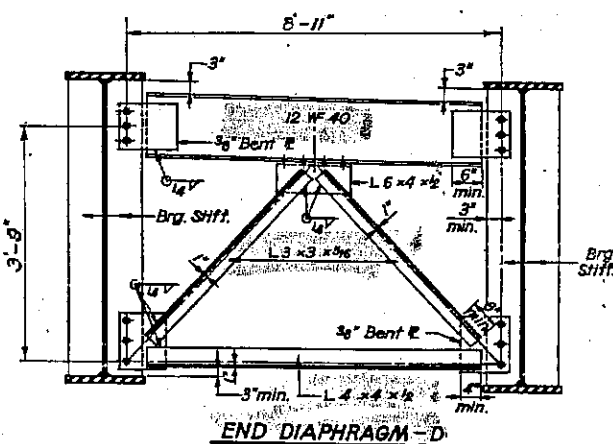


NOTES ON SETTING OF ANCHOR BOLTS AT EXP. BRGS.

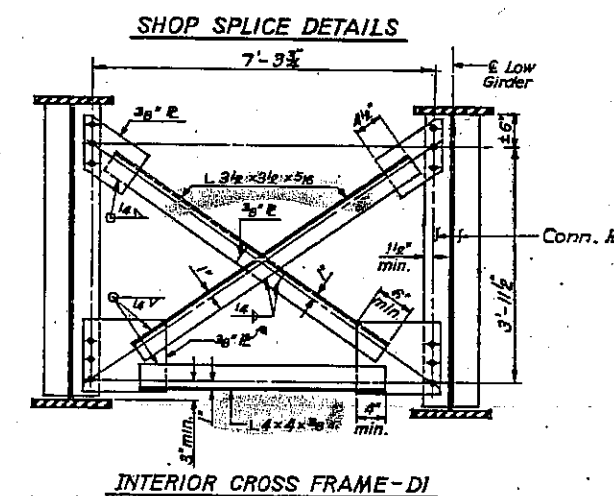
- a) D* (Side of brg. away from fixed brg.)
D* = 1/8" per each 100' of expansion for every 15° fall below the normal temp. of 50°F.
- D** (Side of brg. toward fixed brg.)
D** = 1/8" per each 100' of expansion for every 15° rise above the normal temp. of 50°F.
- b) After beams have been erected and dimensions D* or D** determined, holes shall be drilled and anchor bolts shall be grouted in place. All fixed anchor bolts may be built into the masonry.



SHEAR CONNECTOR DETAIL



END DIAPHRAGM - D



INTERIOR CROSS FRAME - DI

INTERIOR GIRDER MOMENT TABLE

	O4 Sp. 2	Pier	O4 Sp. 3
I _a (in ⁴)	29,940	87,773	29,940
I _c (in ⁴)	80,232	—	80,232
S _a (in ³)	1272	2809	1272
S _c (in ³)	1694	—	1694
R (ft)	1.052	1.316	1.052
M _R (ft-k)	811	3054	890
f _s (ksi)	7.65	13.05	8.30
S _R (in ³)	0.254	—	0.254
M _s (ft-k)	260	—	278
M _t (ft-k)	1087	1160	1100
M _{imp} (ft-k)	221	235	222
TOTAL (ft-k)	1569	1395	1600
f _s (ksi)	11.11	5.96	11.33
f _s TOTAL (ksi)	18.76	19.01	19.63
VR (ft)	636	—	—

INTERIOR GIRDER REACTION TABLE

	W. Abut.	Pier	E. Abut.
R _P (k)	53.8	210.0	55.8
R _R (k)	46.7	81.7	46.7
Imp. (k)	9.4	17.9	9.4
R _{TOTAL} (k)	109.9	315.6	111.9

C-96-014-07
SN 054-0038
EXISTING BRIDGE PLANS
FOR INFORMATION ONLY
(NOT TO SCALE)

DESIGNED BY: H.N.
DRAWN BY: B.B.
CHECKED BY: H.N.