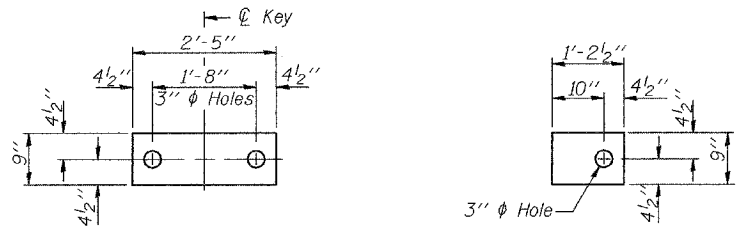


STATE OF ILLINOIS
DEPARTMENT OF TRANSPORTATION

ROUTE NO. F.A.U. 9177	SECTION 44-IBR	COUNTY St. Clair	DATE 29	SHEET 20	SHEET NO. 5 12 SHEETS
FED. ROAD DIST. NO. 7		ILLINOIS		FED. AID PROJECT-	

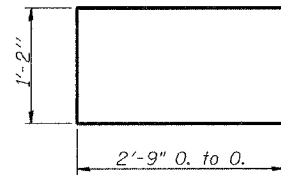
Contract #76566



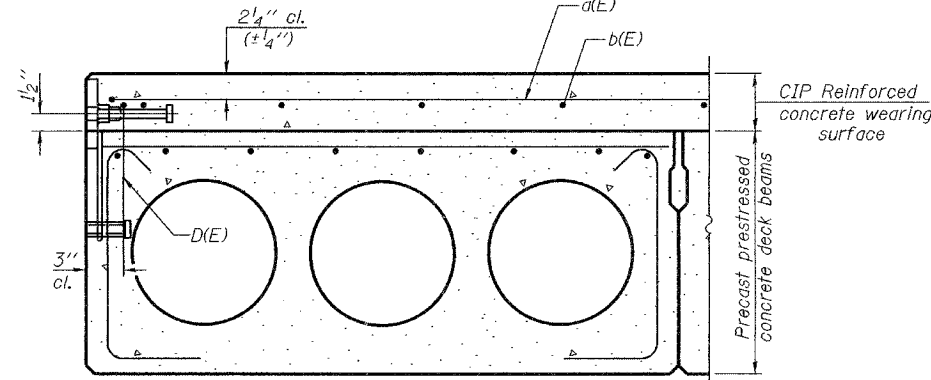
FABRIC BEARING PAD
(Interior)

FABRIC BEARING PAD
(Exterior)

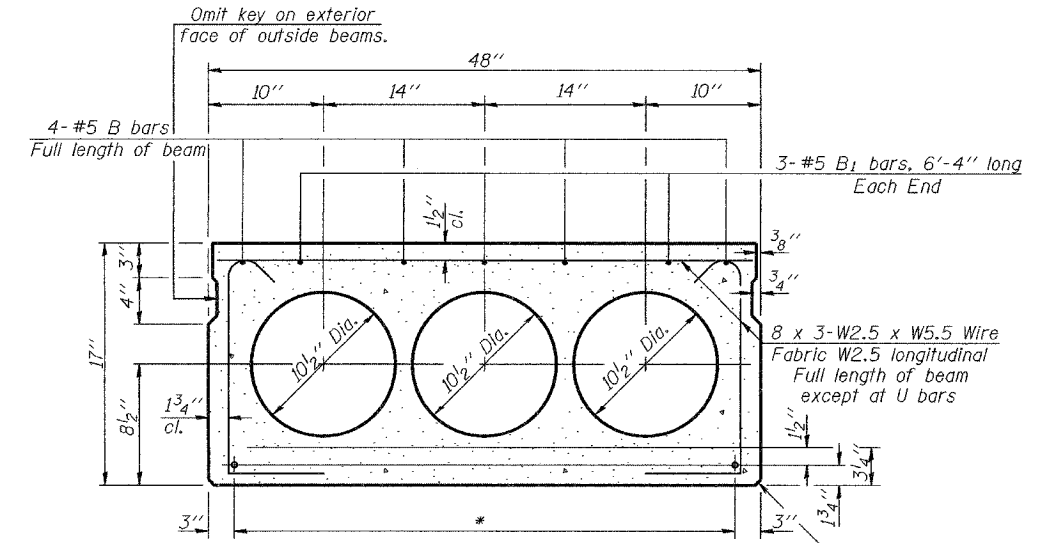
FIXED



BAR U

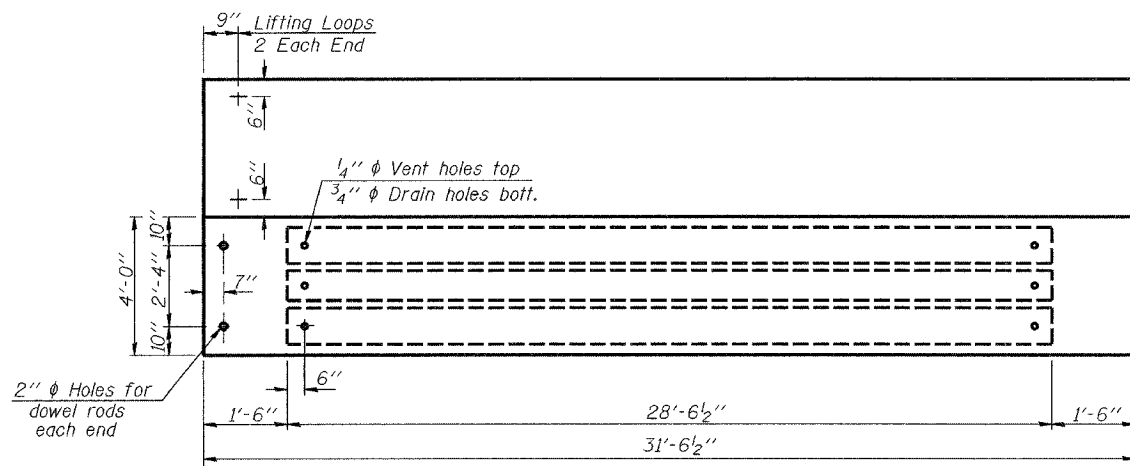


CROSS SECTION

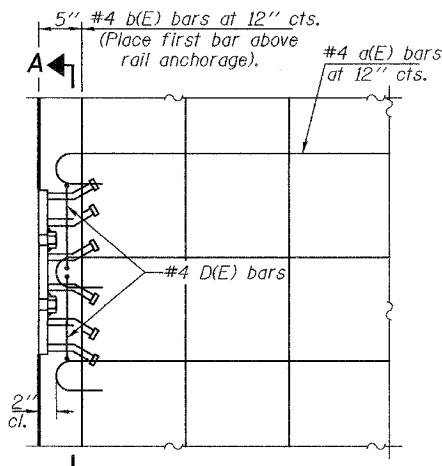


TYPICAL SECTION

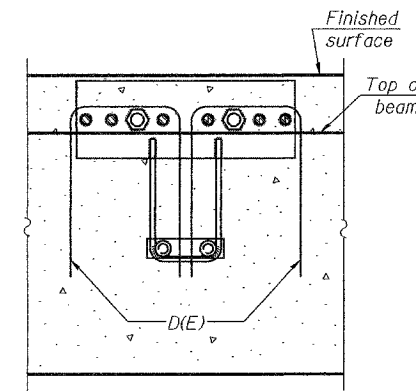
1/2" ϕ Strands, Each Strand Stressed to 30,900 Lbs.
9-Strands 1 3/4" up,



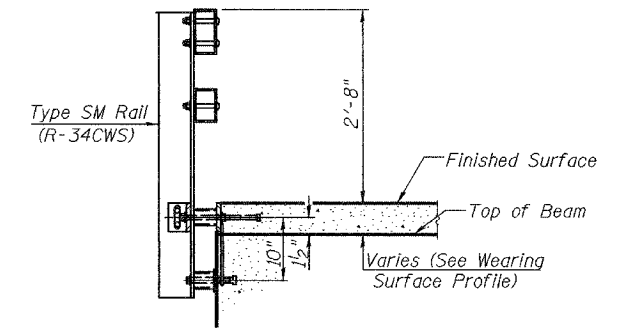
PLAN



PLAN



SECTION A-A



SECTION AT RAIL POST

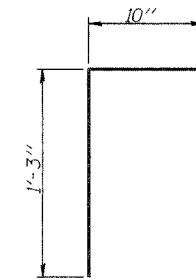
***TRANSVERSE STRAND PLACEMENT GUIDELINES**

1. Place strands symmetrically about centerline of beam.
2. The minimum distance from center to center of strands in all directions shall be 2".
3. The minimum clearance from strand to dowel hole shall be 1/2".
4. The minimum clearance from strand to void shall be 1 1/2".

Vertical placement of strands shall not be adjusted to satisfy the above guidelines.

NOTES

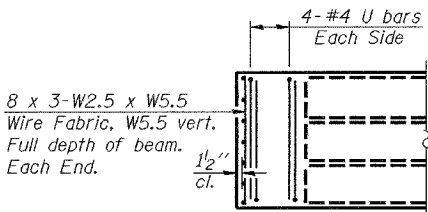
Prestressing steel shall be uncoated high strength, low relaxation 7-wire strand, Grade 270. The nominal diameter shall be 1/2" and the nominal cross-sectional area shall be 0.153 sq. in. Lifting loops shall be 2-1/2" ϕ -270 ksi strands, as shown. The bearing seat surfaces shall be adjusted by shimming to assure firm and even bearing. Two 1/2" fabric adjusting shims of the dimensions of the Exterior Bearing Pad shall be provided for each bearing. Keyway surfaces shall be cleaned to remove form oil or other bond breaking material prior to shipment of the beams. Cleaning shall be done by sandblasting the keyway areas between top of the beam and the bottom edge of the key. Corrosion inhibitor shall be used in the Concrete for Precast Prestressed Concrete Deck Beam. See Article 1021.06 of Standard Specifications. Required Release Strength, f'ci, shall be 4000 p.s.i. The rail anchorage shall be cast with the beam and the wearing surface shall be cast in the field. Formwork necessary for the wearing surface may be secured utilizing the bottom rail anchorage inserts and/or additional inserts cast into the beam. Drilling into the beam will not be permitted. For Cross Section see sht. 6 of 12.



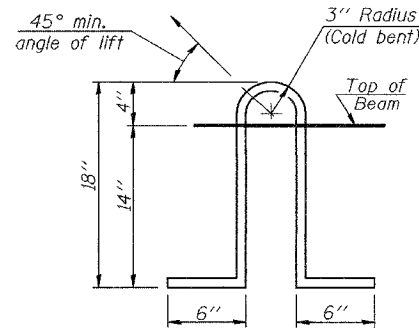
BAR D(E)

BILL OF MATERIAL

Item	Unit	Quantity
Precast Prestressed Conc. Deck Beams 17"	Sq. Ft.	2776



END PLAN



LIFTING LOOP DETAIL

DESIGNED	Nicholas Barnett
CHECKED	Ray Ahanchi
DRAWN	R. Sommer
CHECKED	NRB/GRA

EXAMINED	Thomas J. Demagalicki	November 2, 2006
PASSED	Ralph E. Anderson	

SUPERSTRUCTURE
F.A.U. ROUTE 9177-SECTION 44-IBR
ST. CLAIR COUNTY
STATION 100+00.00 (NB)
STATION 200+00.00 (SB)
S.N. 082-0096 (NB) & 082-0097 (SB)