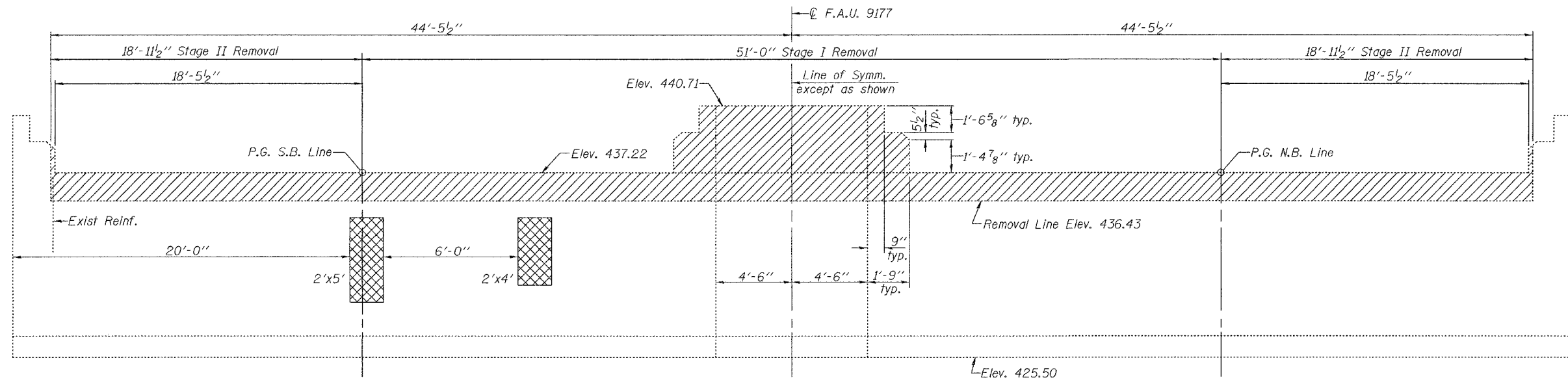


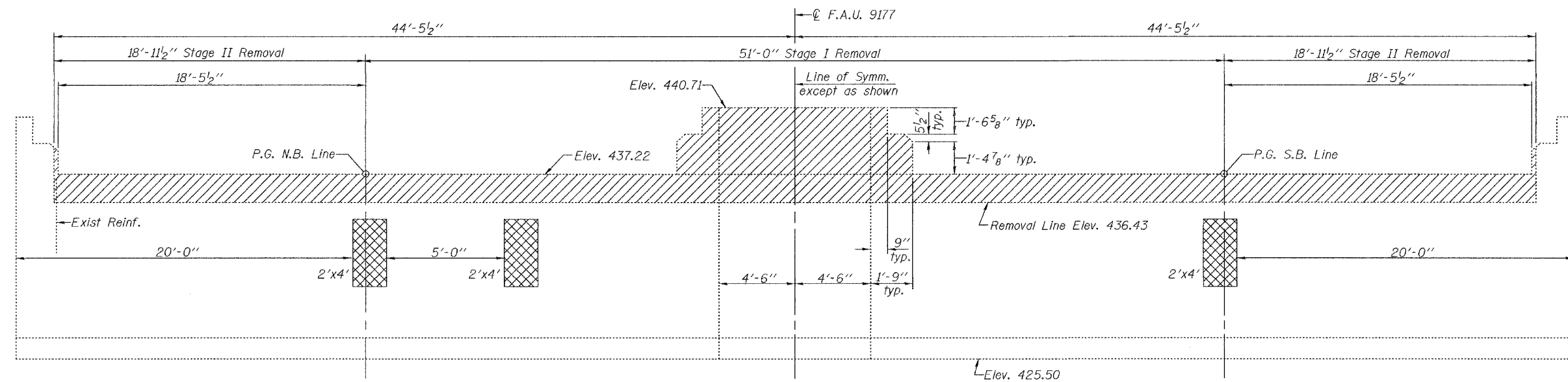
STATE OF ILLINOIS
DEPARTMENT OF TRANSPORTATION

ROUTE NO.	SECTION	COUNTY	TOTAL SHEETS	SHEET NO.	SHEET NO. 8 12 SHEETS
F.A.U. 9177	44-IBR	St. Clair	29	23	
FED. ROAD DIST. NO. 7	ILLINOIS	FED. AID PROJECT			


Contract #76566




ELEVATION
(North Abutment, Looking North)



ELEVATION
(South Abutment, Looking South)

 Hatched areas indicate Concrete Removal.

 Crosshatched areas indicate Structural Repair of Concrete (Depth equal or less than 5').

Note: Existing vertical reinforcement bars extending into the New Construction shall be cleaned, straightened and incorporated into the New Construction. Cost included with Concrete Removal.

DESIGNED	Nicholas Barnett
CHECKED	Ray Ahanchi
DRAWN	R. Sommer
CHECKED	NRB/GRA

EXAMINED	November 2, 2006	<i>Thomas J. Demagala</i>
PASSED		<i>Ralph E. Anderson</i>

CONCRETE REMOVAL & REPAIR DETAILS
F.A.U. ROUTE 9177-SECTION 44-IBR
ST. CLAIR COUNTY
STATION 100+00.00 (NB)
STATION 200+00.00 (SB)
S.N. 082-0096 (NB) & 082-0097 (SB)