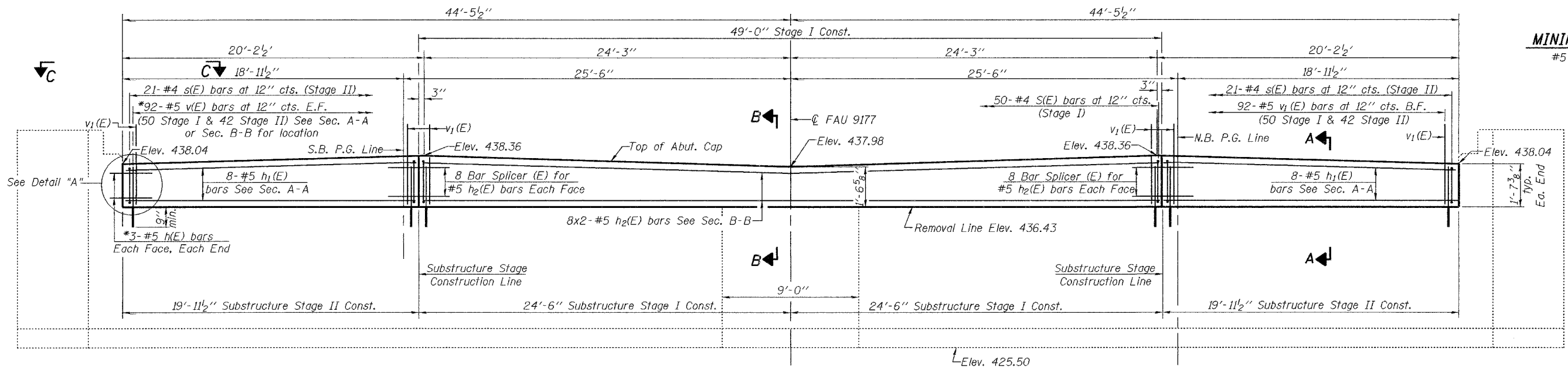


STATE OF ILLINOIS
DEPARTMENT OF TRANSPORTATION

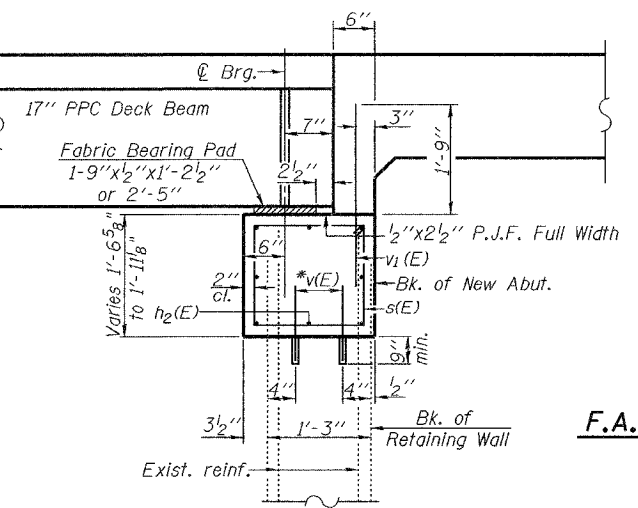
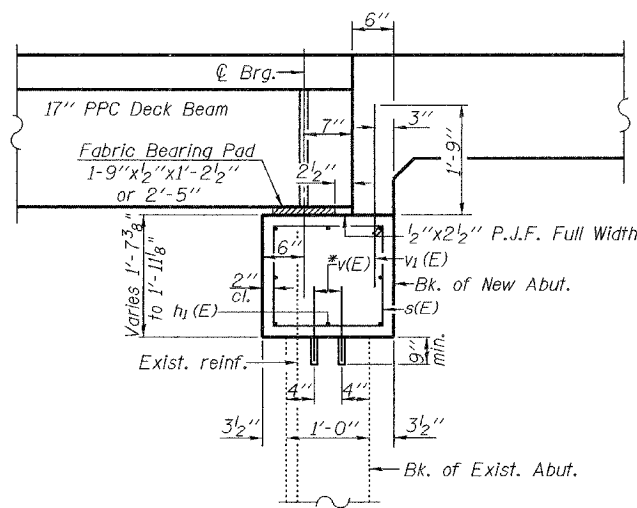
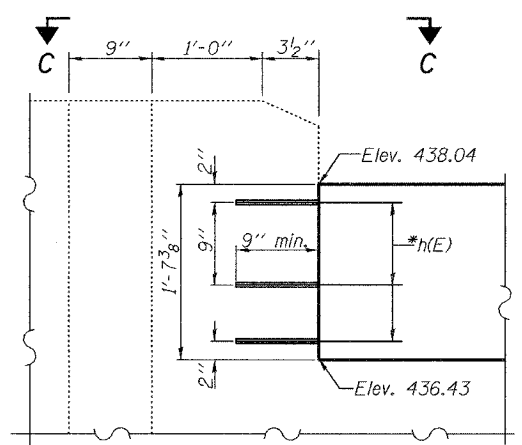
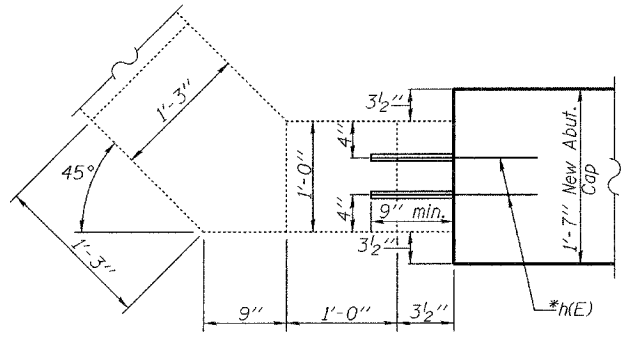
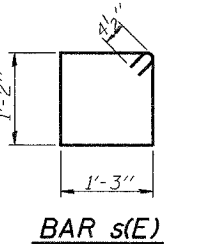
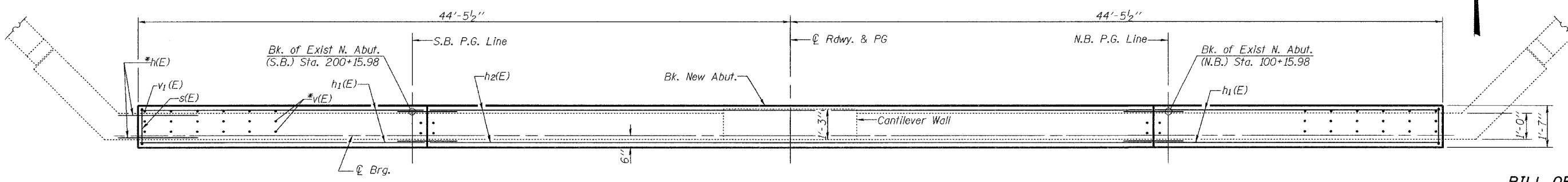
ROUTE NO.	SECTION	COUNTY	STATION	SHEET NO.	SHEET NO. 10
F.A.U. 9177	44-IBR	St. Clair	29	25	12 SHEETS
FED. ROAD DIST. NO. 7	ILLINOIS	FED. AID PROJECT-			

Contract #76566



MINIMUM BAR LAP
#5 bar - 1'-8"

*Epoxy grout h(E) and v(E) bars in 9" min. drilled holes according to Section 584 of the Standard Specifications.



BILL OF MATERIAL

Bar	No.	Size	Length	Shape
h(E)	12	#5	2'-1"	—
h1(E)	16	#5	19'-8"	—
h2(E)	16	#5	25'-4"	—
s(E)	92	#4	5'-7"	□
v(E)	184	#5	2'-5"	—
v1(E)	92	#5	3'-1"	—
Concrete Structures			Cu. Yd.	9.2
Reinforcement Bars, Epoxy Coated			Pound	1880

Bars indicated thus 8 x 2-#5 etc. indicates 8 lines of bars with 2 lengths per line.

DESIGNED Nicholas Barnett
CHECKED Ray Ahanchi
DRAWN R. Sommer
CHECKED NRB/GRA

November 2, 2006
EXAMINED Thomas J. Domagalaki
PASSED Ralph E. Anderson

NORTH ABUTMENT
F.A.U. ROUTE 9177-SECTION 44-IBR
ST. CLAIR COUNTY
STATION 100+00.00 (NB)
STATION 200+00.00 (SB)
S.N. 082-0096 (NB) & 082-0097 (SB)