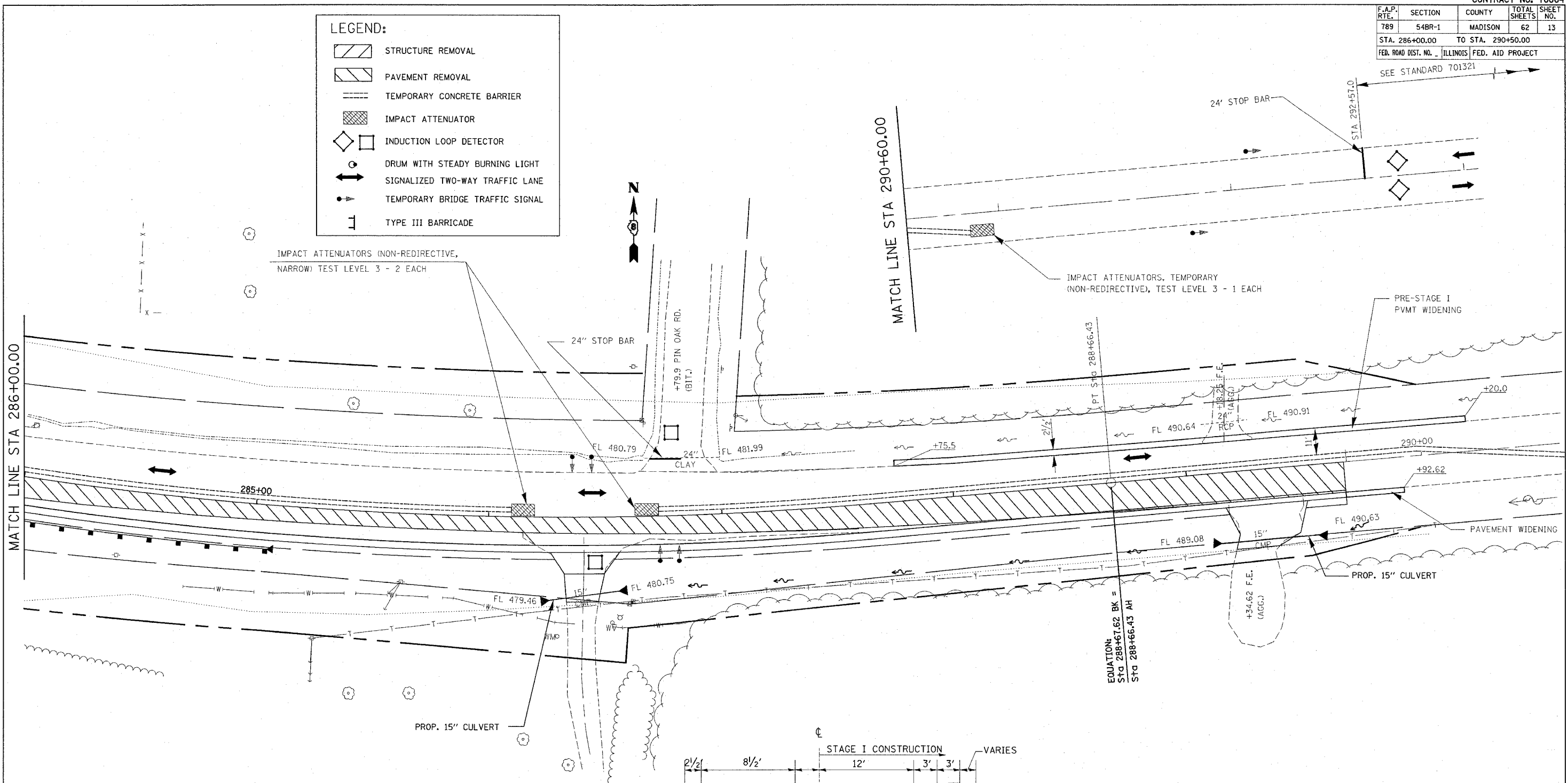


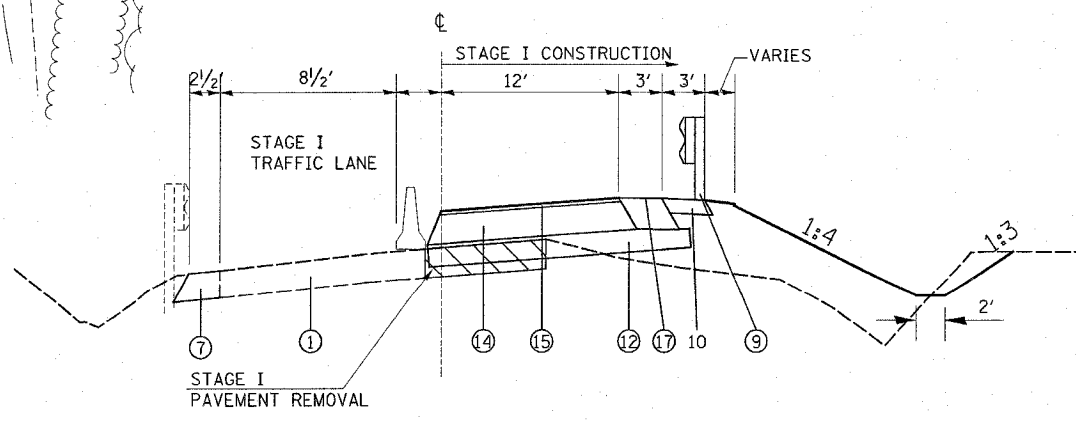
| F.A.P. RTE. | SECTION | COUNTY | TOTAL SHEETS | SHEET NO. |
|---|---------|-------------------|--------------|-----------|
| 789 | 54BR-1 | MADISON | 62 | 13 |
| STA. 286+00.00 | | TO STA. 290+50.00 | | |
| FED. ROAD DIST. NO. ILLINOIS FED. AID PROJECT | | | | |

LEGEND:

- STRUCTURE REMOVAL
- PAVEMENT REMOVAL
- TEMPORARY CONCRETE BARRIER
- IMPACT ATTENUATOR
- INDUCTION LOOP DETECTOR
- DRUM WITH STEADY BURNING LIGHT
- SIGNALIZED TWO-WAY TRAFFIC LANE
- TEMPORARY BRIDGE TRAFFIC SIGNAL
- TYPE III BARRICADE



- LEGEND**
- ① EXISTING PAVEMENT
 - ⑦ PROPOSED HOT-MIX ASPHALT BASE COURSE WIDENING 9"
 - ⑨ PROPOSED GUARDRAIL
 - ⑩ PROPOSED AGGREGATE SHOULDER 6"
 - ⑫ LIME MODIFIED SOIL 12"
 - ⑭ PROPOSED HOT-MIX ASPHALT BINDER COURSE 13"
 - ⑮ PROPOSED HOT-MIX ASPHALT SURFACE COURSE 1 1/2"
 - ⑰ PROPOSED HOT-MIX ASPHALT SHOULDERS, 1 1/2"



| REVISIONS | |
|-----------|------|
| NAME | DATE |
| | |
| | |
| | |
| | |
| | |
| | |
| | |
| | |
| | |
| | |

ILLINOIS DEPARTMENT OF TRANSPORTATION
SUGGESTED STAGE I CONSTRUCTION
 FAP ROUTE 789
 SECTION 54BR-1
 MADISON COUNTY

SCALE: VERT. _____
 HORIZ. _____
 DATE _____

DRAWN BY _____
 CHECKED BY _____

PLOT DATE = 10/19/2006
 FILE NAME = s:\projects\789\54BR-1\13.dwg
 PLOT SCALE = 20,000000 / 1 IN.
 REFERENCE = *REF*