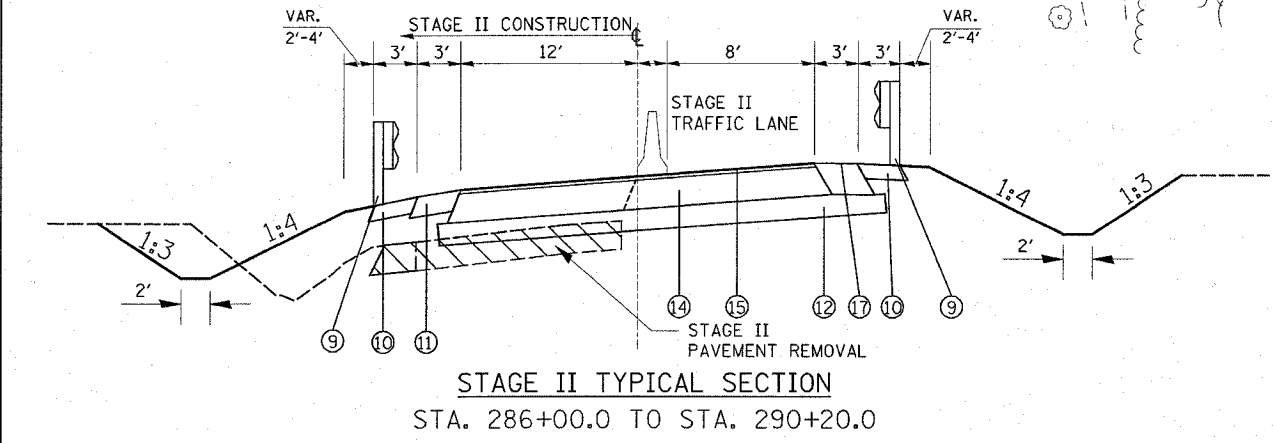
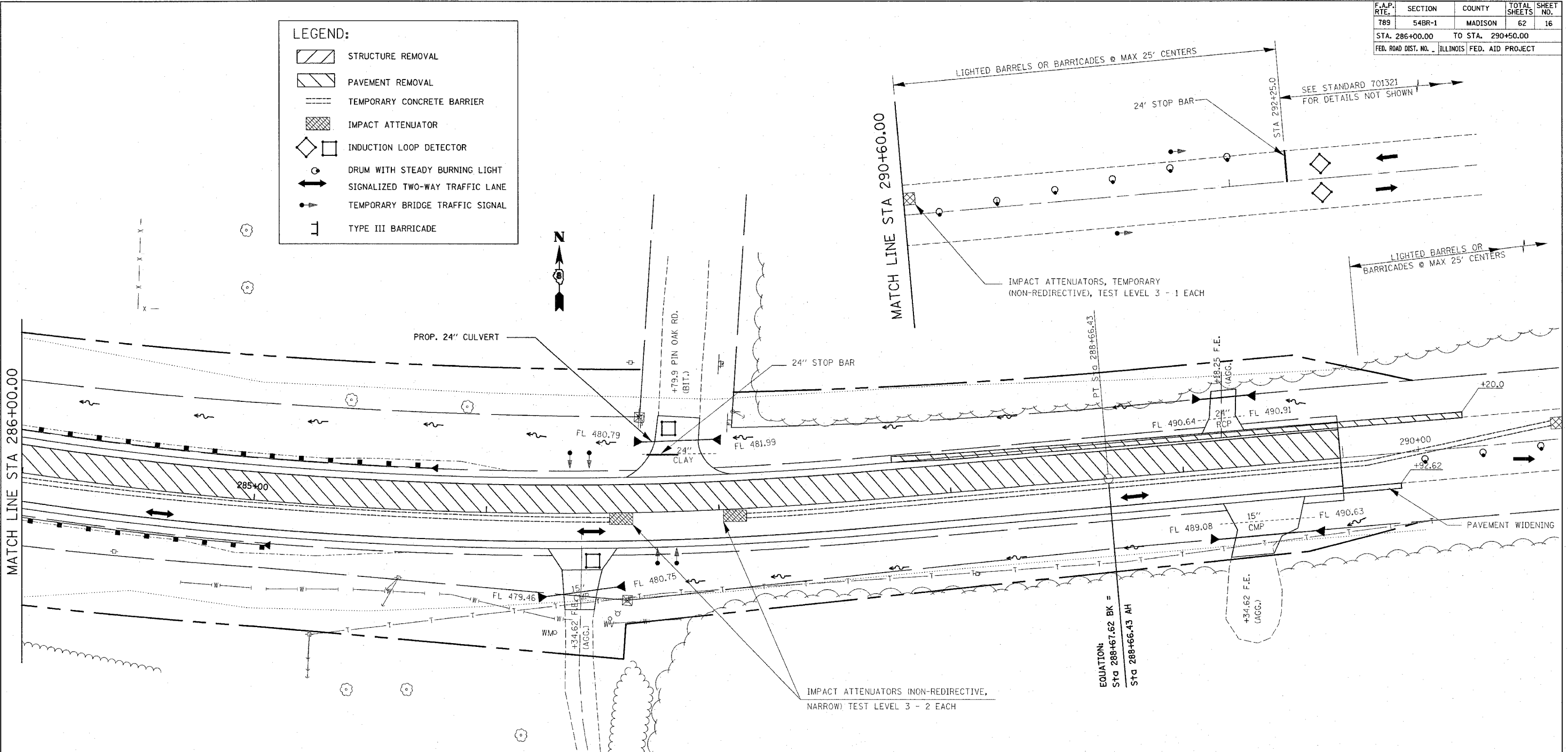


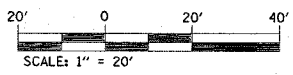
F.A.P. RTE.	SECTION	COUNTY	TOTAL SHEETS	SHEET NO.
789	54BR-1	MADISON	62	16
STA. 286+00.00		TO STA. 290+50.00		
FED. ROAD DIST. NO. 1		ILLINOIS FED. AID PROJECT		

LEGEND:

	STRUCTURE REMOVAL
	PAVEMENT REMOVAL
	TEMPORARY CONCRETE BARRIER
	IMPACT ATTENUATOR
	INDUCTION LOOP DETECTOR
	DRUM WITH STEADY BURNING LIGHT
	SIGNALIZED TWO-WAY TRAFFIC LANE
	TEMPORARY BRIDGE TRAFFIC SIGNAL
	TYPE III BARRICADE



- LEGEND**
- ⑨ PROPOSED GUARDRAIL
 - ⑩ PROPOSED AGGREGATE SHOULDER 6"
 - ⑪ PROPOSED HOT-MIX ASPHALT SHOULDER 8"
 - ⑫ LIME MODIFIED SOIL 12"
 - ⑬ PROPOSED HOT-MIX ASPHALT BINDER COURSE 13"
 - ⑭ PROPOSED HOT-MIX ASPHALT SURFACE COURSE 1 1/2"
 - ⑮ PROPOSED HOT-MIX ASPHALT SHOULDERS, 1 1/2"



REVISIONS		ILLINOIS DEPARTMENT OF TRANSPORTATION SUGGESTED STAGE II CONSTRUCTION
NAME	DATE	
		FAP ROUTE 789 SECTION 54BR-1 MADISON COUNTY

SCALE: VERT. _____
HORIZ. _____
DATE _____

DRAWN BY _____
CHECKED BY _____

PLOT DATE = 10/19/2006
 FILE NAME = c:\p\projects\789\54br1\plan\stage2\stage2.dgn
 PLOT SCALE = 20.000000 / 1.00
 REFERENCE = SHEET#