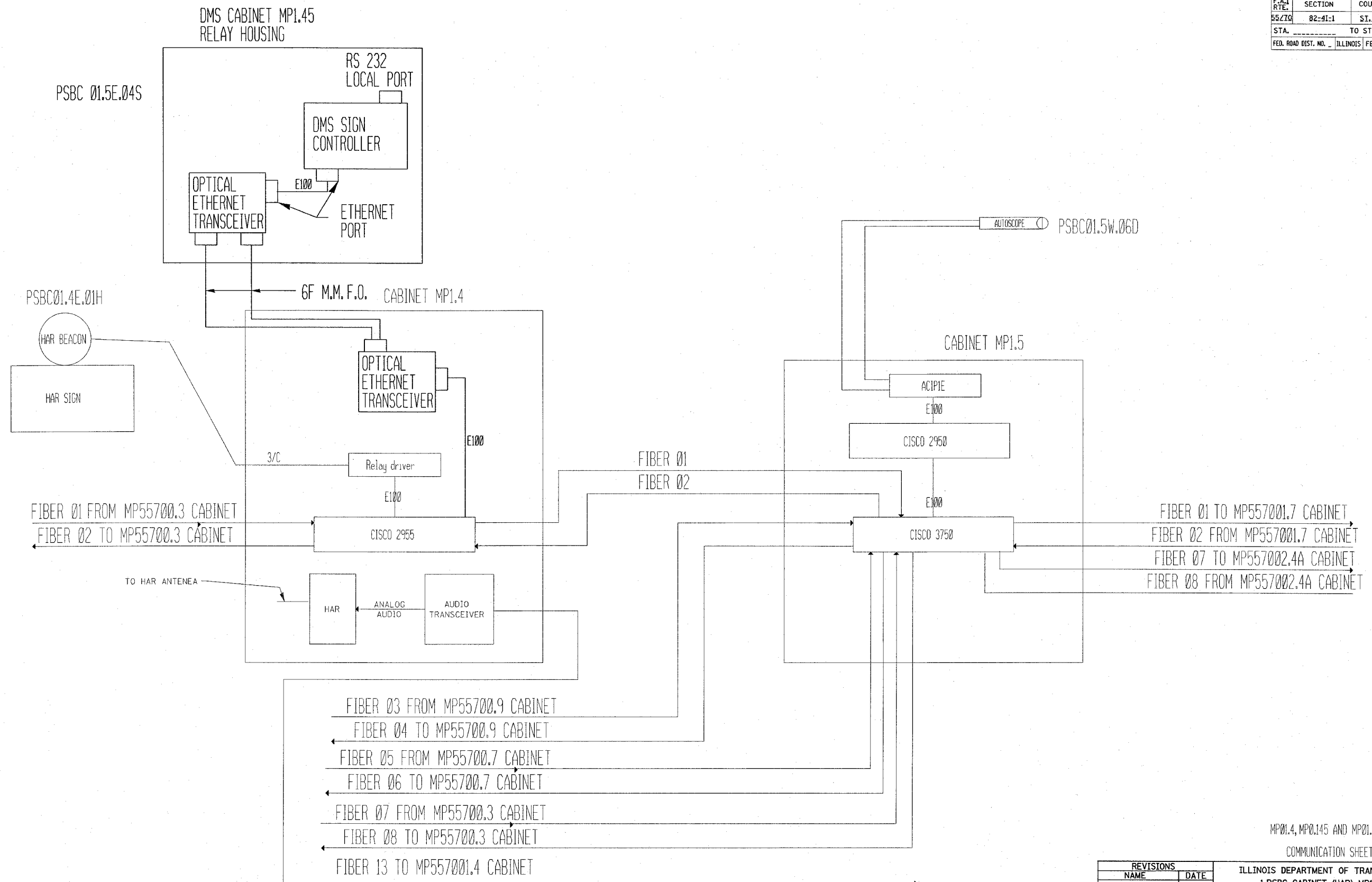


F.A.I. RTE.	SECTION	COUNTY	TOTAL SHEETS	SHEET NO.
55/70	82-41-1	ST. CLAIR	19	8
STA.	TO STA.			
FED. ROAD DIST. NO.	ILLINOIS	FED. AID PROJECT		



PLOT DATE = 10/17/2006
 FILE NAME = \\v\proj\8085\electrical\top\8085.dgn
 PLOT SCALE = 100:1 / IN.
 REFERENCE = #REF#

MP01.4, MP01.45 AND MP01.5

COMMUNICATION SHEET

REVISIONS	
NAME	DATE

ILLINOIS DEPARTMENT OF TRANSPORTATION
 1.PSBC CABINET (HAR) MP1.4
 PSBC01.4E.01H AND HAR
 2.PSBC CABINET MP1.45
 PSBC01.5E.04S
 3.PSBC CABINET MP1.5
 PSBC01.5W.06D
 FAI 55/70
 SECTION 82-41-1
 ST. CLAIR COUNTY
 DATE 10/17/2006