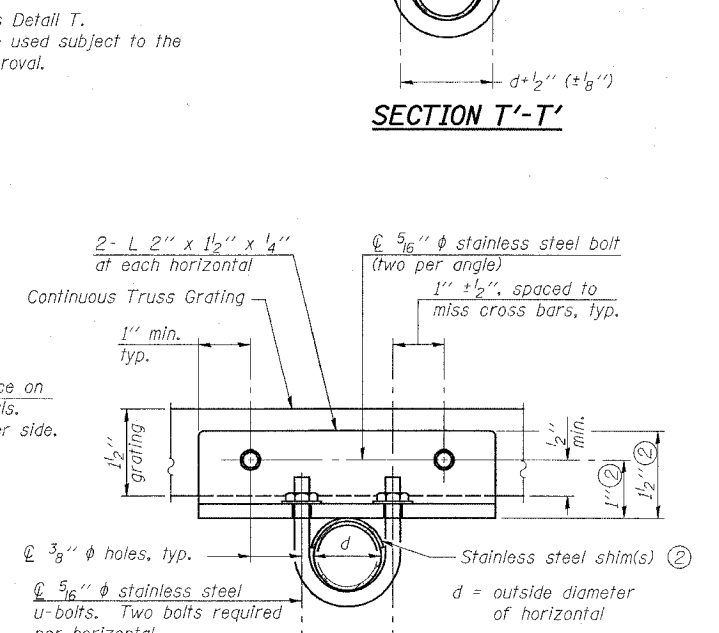
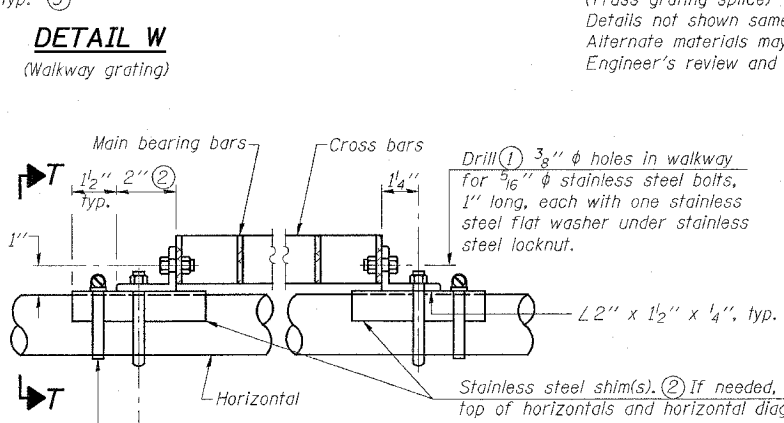
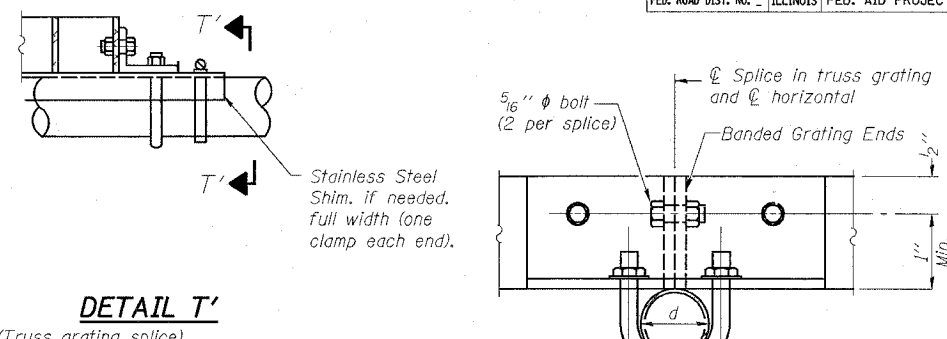
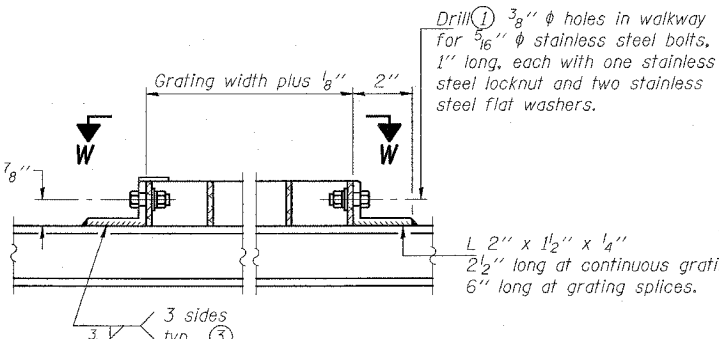
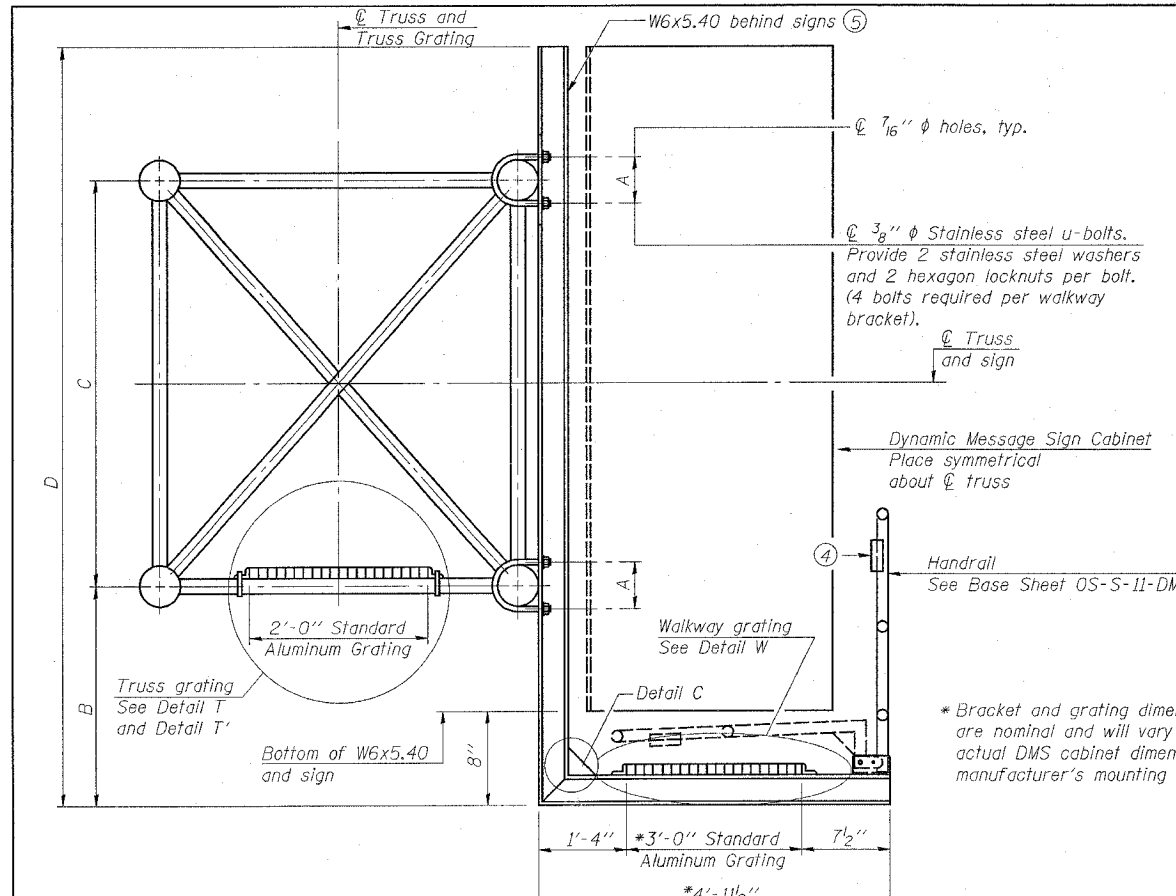
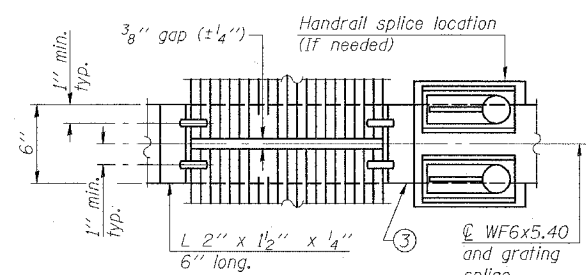
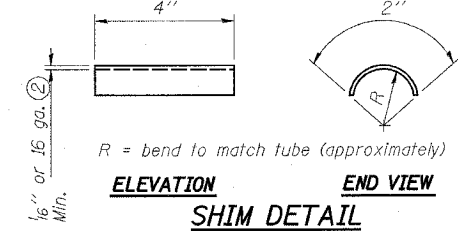


F.A.I. RTE.	SECTION	COUNTY	TOTAL SHEETS	SHEET NO.
55/70	82-4I-1	ST. CLAIR	19	14
STA.		TO STA.		
FED. ROAD DIST. NO. ILLINOIS FED. AID PROJECT				



SECTION B-B



DETAIL T

**SPECIFICATIONS FOR STANDARD ALUMINUM GRATING**

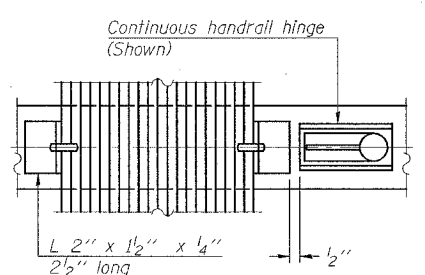
Main Bearing Bars shall be 3/16" x 1 1/2" on 1 3/16" centers and conform to ASTM B211 Alloy 6061-T6.  
 Cross bars shall be 3/16" x 1 1/2" on 4" centers and conform to ASTM B221 Alloy 6063-T5 or 6061-T6.

**OR**

Aluminum Grating with modified "T" sections for main bearing bars shall meet the following requirements:  
 Main bars shall conform to ASTM B221 Alloy 6061-T6 and have a minimum section modulus equal to 0.0705 in. per bar, a depth of 1 1/2", spaced on 1 3/16" centers.  
 Cross bars shall conform to ASTM B221 Alloy 6063-T5 or T-42 and spaced on 4" centers.

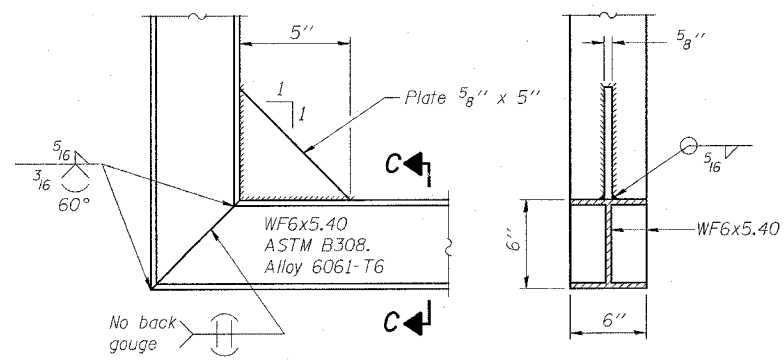
SECTION T-T

(AT WALKWAY GRATING SPLICE)



SECTION W-W

SECTION C-C



NUMBER	REVISION	DATE

Structure Number	Station	A	B	C	D
850821055R001.4	105+67.6	7 1/2"	18"	7'	9'8"

**OVERHEAD SIGN STRUCTURES  
 ALTERNATE ALUMINUM WALKWAY DETAILS  
 FOR DMS**

**ILLINOIS DEPARTMENT OF TRANSPORTATION**

F.A.I. ROUTE 55/70  
 SECTION 82-4I-1  
 ST. CLAIR COUNTY

PLOT DATE: 7/01/2006  
 FILE NAME: OS-A-10-DMS  
 PLOT SCALE: AS SHOWN  
 REFERENCE: 7/01/2006