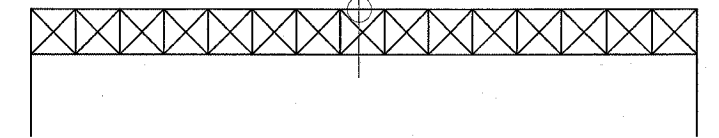
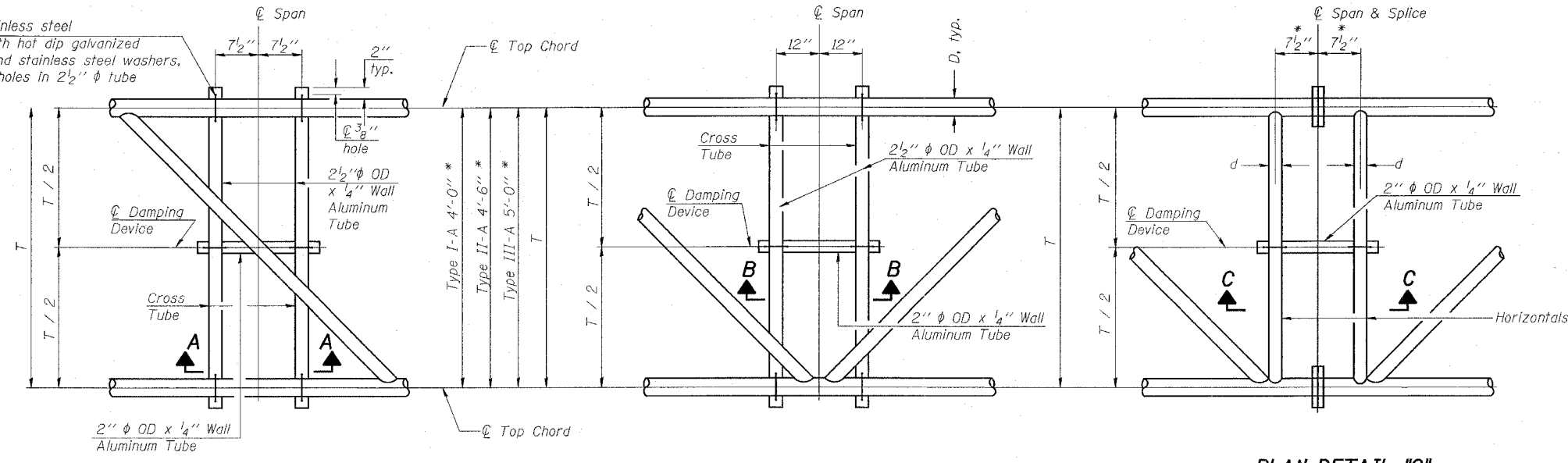


F.A.I. RTE.	SECTION	COUNTY	TOTAL SHEETS	SHEET NO.
55/70	82-4I-1	ST. CLAIR	19	17
STA. _____		TO STA. _____		
FED. ROAD DIST. NO. _____ ILLINOIS FED. AID PROJECT				

Center of horizontal to center of splice dimension may vary. Verify before drilling holes in mounting tube.

5/16" φ stainless steel U-bolt with hot dip galvanized locknuts and stainless steel washers, typ. 3/8" φ holes in 2 1/2" φ tube

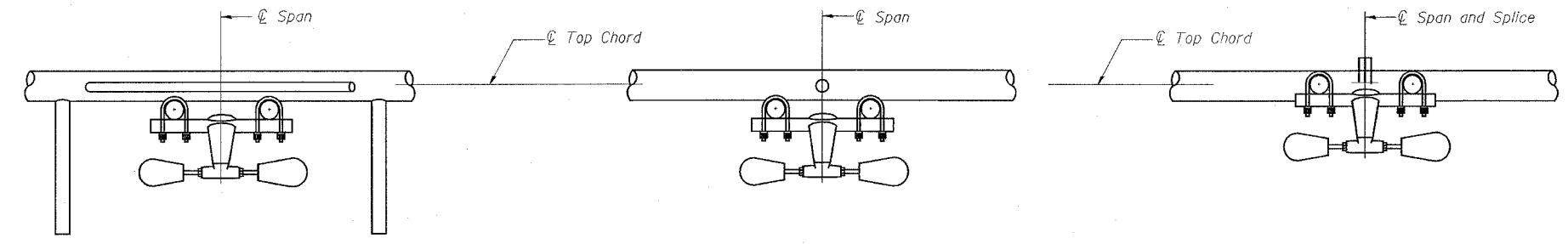


PLAN DETAIL "A"
Span between Panel Points

PLAN DETAIL "B"
Span at Panel Point

PLAN DETAIL "C"
Span at Chord Splice

NOTES
Damper: One damper per truss. (31 lbs. Stockbridge-Type Aluminum)
Cost included in Overhead Sign Structure...
Materials: Aluminum tubes shall be ASTM B221 alloy 6061 temper T6. Cost included in Overhead Sign Structure...

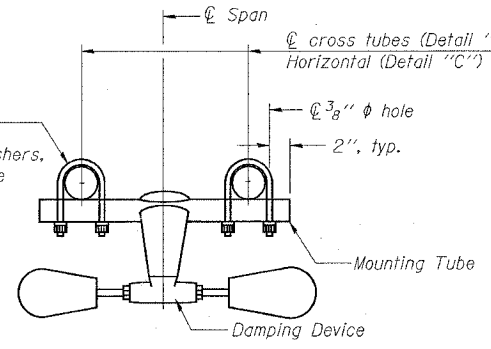


SECTION A-A

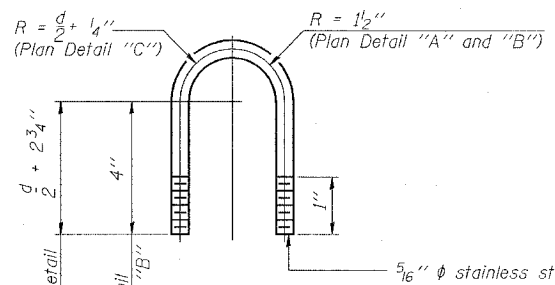
SECTION B-B

SECTION C-C

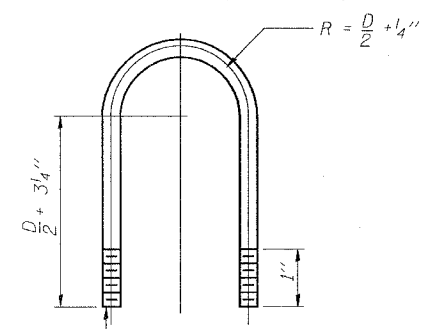
5/16" φ stainless steel U-bolt with hot dip galvanized locknuts and stainless steel washers, typ. 3/8" φ holes in mounting tube



TRUSS DAMPING DEVICE CONNECTION DETAIL
(Typical)



DAMPING DEVICE MOUNTING TUBE U-BOLT DETAIL
(Typical)



TOP CHORD TO CROSS TUBE U-BOLT DETAIL
(Typical - Detail "A" and "B")

OVERHEAD SIGN STRUCTURE DAMPING DEVICE
ILLINOIS DEPARTMENT OF TRANSPORTATION
F.A.I. ROUTE 55/70
SECTION 82-4I-1
ST. CLAIR COUNTY

PLOT DATE = DATE
FILE NAME = SHEET
REFERENCE = REF