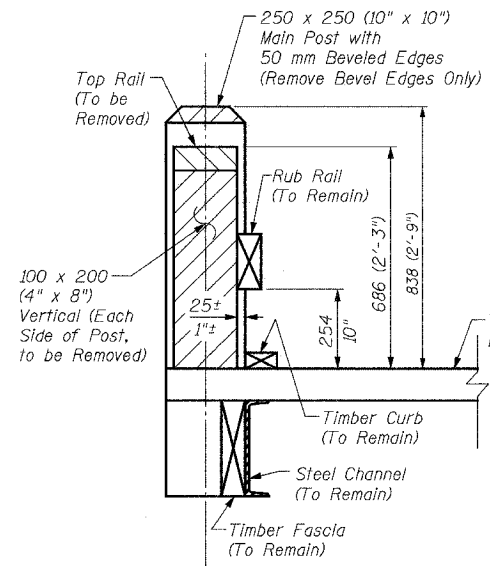
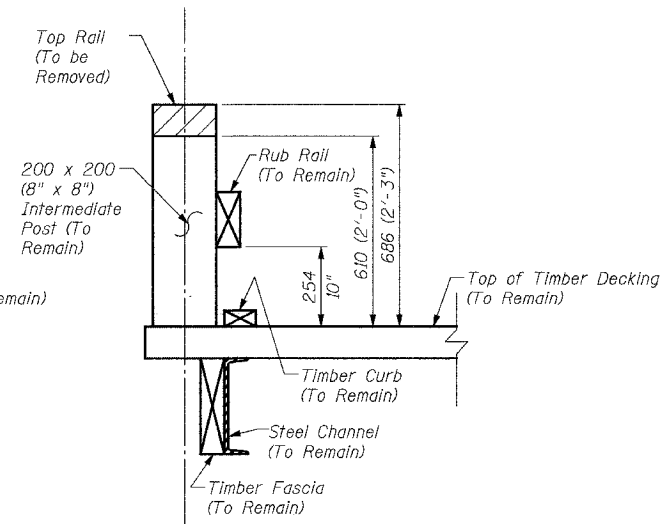


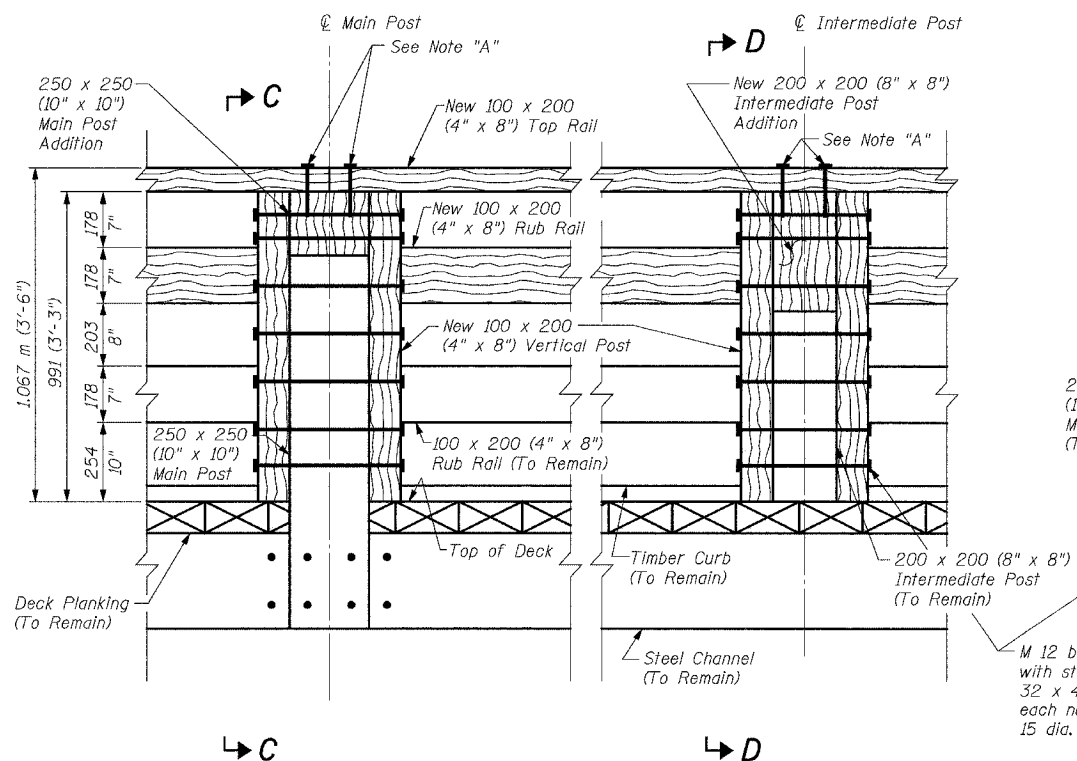
DETAIL 1
 (Showing Removal)



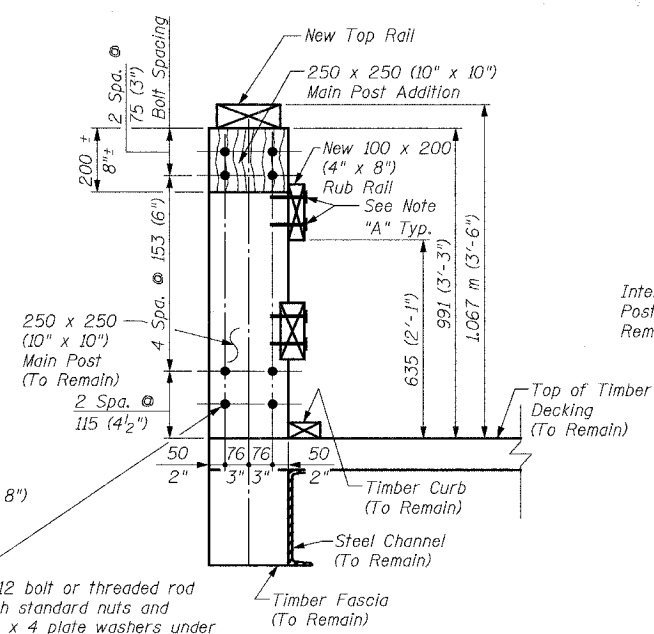
SECTION A-A
 (Showing Removal)



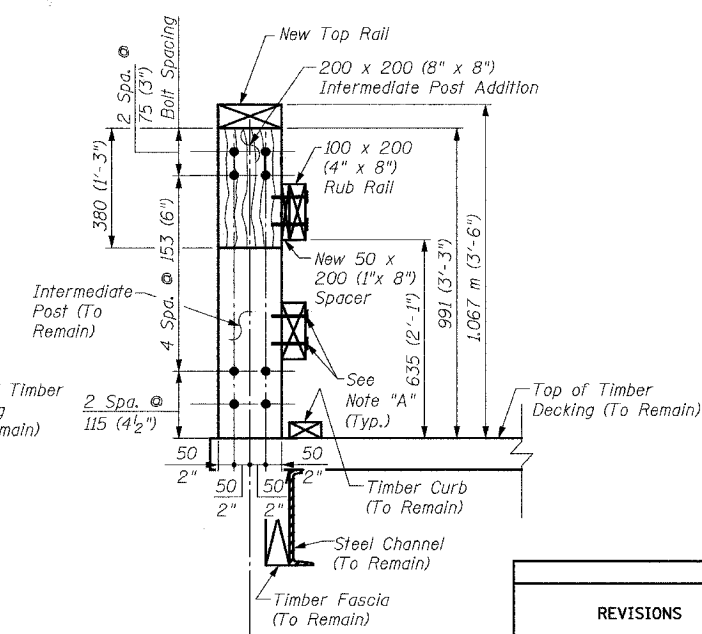
SECTION B-B
 (Showing Removal)



DETAIL 2
 (Showing New Railing)



SECTION C-C
 (Showing New Railing)



SECTION D-D
 (Showing New Railing)

Note "A":
 Attach top rail and rub rail to intermediate and main posts with 60d galvanized common wire nails with 5 nails per attachment location. Contractor shall pre-drill 3 mm diameter holes to avoid splitting timber.

LEGEND

 Existing Timber Railing to be removed
 New Timber Railing

REVISIONS		NAME	DATE

	1701 GOLF ROAD, SUITE 1000 ROLLING MEADOWS, IL 60008	TEL (847) 228-0707 FAX (847) 228-1115
	VILLAGE OF ADDISON SALT CREEK GREENWAY TRAIL BRIDGE RAILING STA. 9+464.942 DETAILS	
DATE: 11/03/04	DRAWN BY: MDS	
DESIGNED BY: MDS	CHECKED BY: GAT	