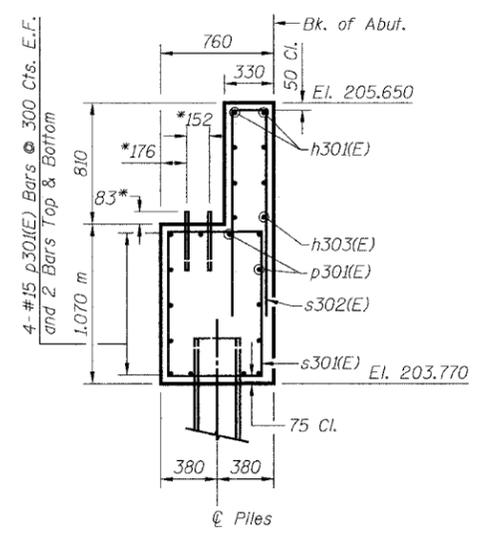


ELEVATION

(North Abument - Shown)
(South Abument - Similar)



SECTION A-A

* Anchor bolt size and locations shall be checked against the bridge fabricator's requirements prior to setting them.

BILL OF MATERIAL

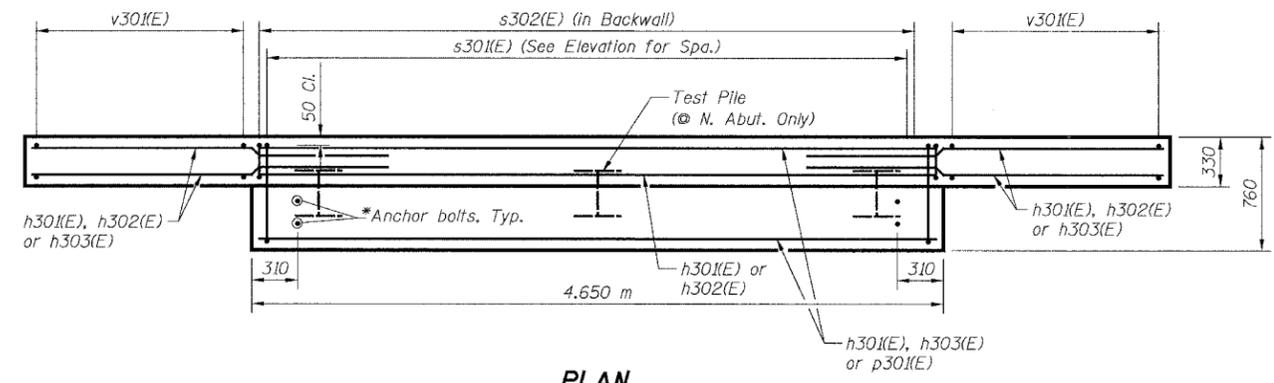
Bar	No.	Size	Length	Shape	
h301(E)	4	#15	7.90 m		
h302(E)	32	#15	2.41 m		
h303(E)	12	#15	7.55 m		
p301(E)	24	#15	4.55 m		
s301(E)	28	#15	3.48 m		
s302(E)	32	#15	3.63 m		
v301(E)	24	#15	2.80 m		
Concrete Structures				Cu. M	13.1
Reinforcement Bars, Epoxy Coated				kg	930
Furnishing Steel Piles HP310x79				Meter	100
Driving Steel Piles				Meter	100
Metal Shoes				Each	5
Test Pile Steel HP310x79				Each	1
Structure Excavation				Cu. M	30.5

LEGEND

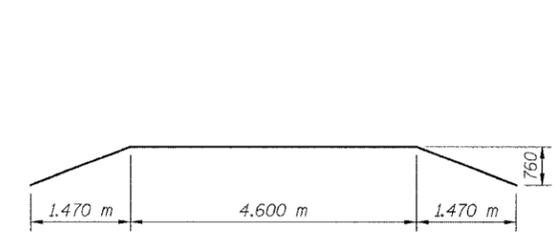
E.F. = Each Face

MIN. BAR LAP

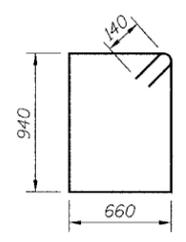
#15 = 890



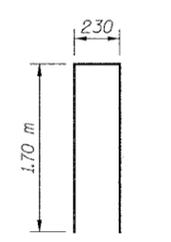
PLAN



BAR h301(E)



BAR s301(E)



BAR s302(E)

NOTES:

- Space reinforcement in cap to miss anchor bolts.
- All edges shall have standard 20 mm chamfers except as noted.
- For Anchor Bolt Details, see Sheet S27.
- There shall be no splicing of longitudinal bars. Bars shall be ordered full length.
- Bars designated (E) shall be epoxy coated.

PILE DATA:

Type: HP310x79
Capacity: Driven to Refusal
Est. Length: 20 m (S. Abut)
20 m (N. Abut)
No. Required: 3 (S. Abut)
2 + 1 Test Pile (N. Abut)
(Test Pile shall be a permanent pile driven at the North Abutment)

SHEET S13 of S28

REVISIONS		NAME	DATE
NO.	DESCRIPTION		

URS 1701 GOLF ROAD, SUITE 1000 TEL (847) 228-0707
ROLLING MEADOWS, IL 60008 FAX (847) 228-1115

VILLAGE OF ADDISON
SALT CREEK GREENWAY TRAIL
PEDESTRIAN BRIDGE, STA. 15+837.5
ABUTMENT DETAILS

DATE: 11/03/04 DRAWN BY: MDS
DESIGNED BY: MDS CHECKED BY: GAT