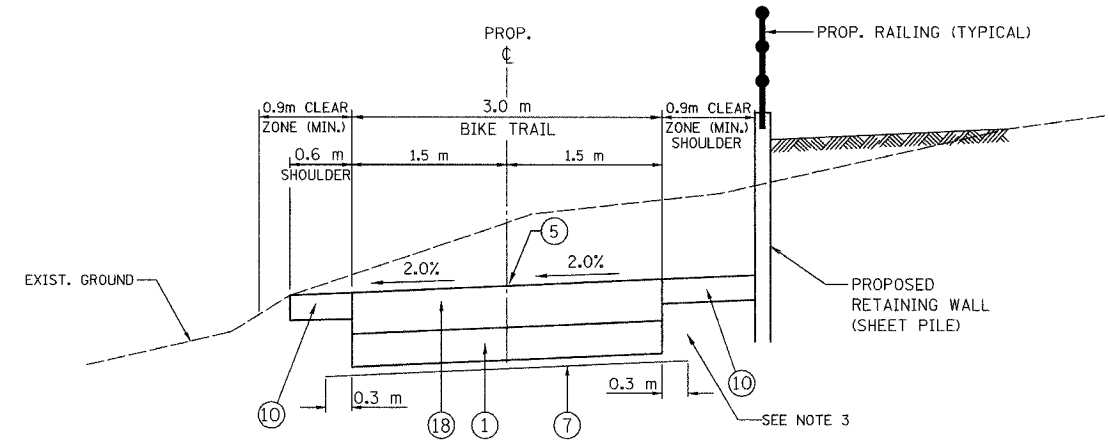
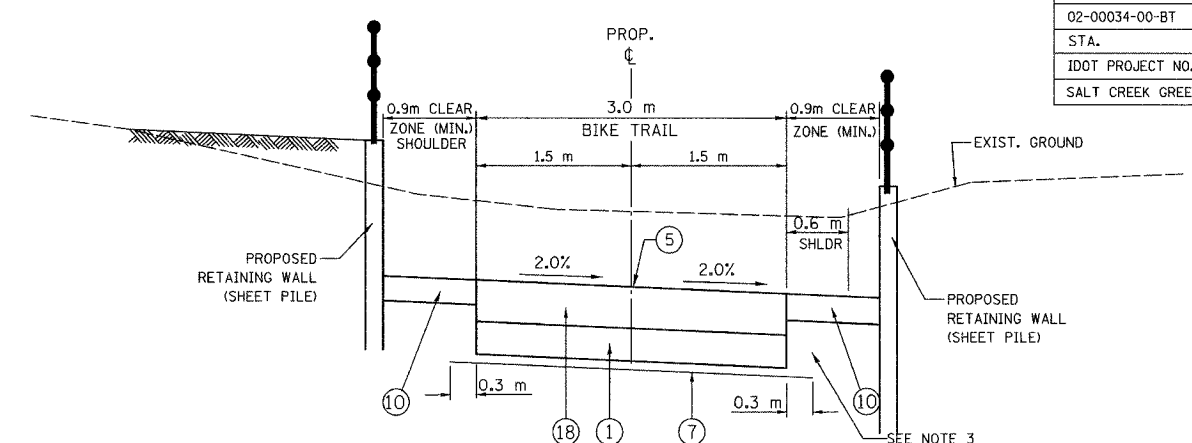


SECTION	COUNTY	TOTAL SHEETS	SHEET NO.
02-00034-00-BT	DUPAGE	108	7
STA. TO STA.			
IDOT PROJECT NO. M-8003(216)			
SALT CREEK GREENWAY TRAIL			

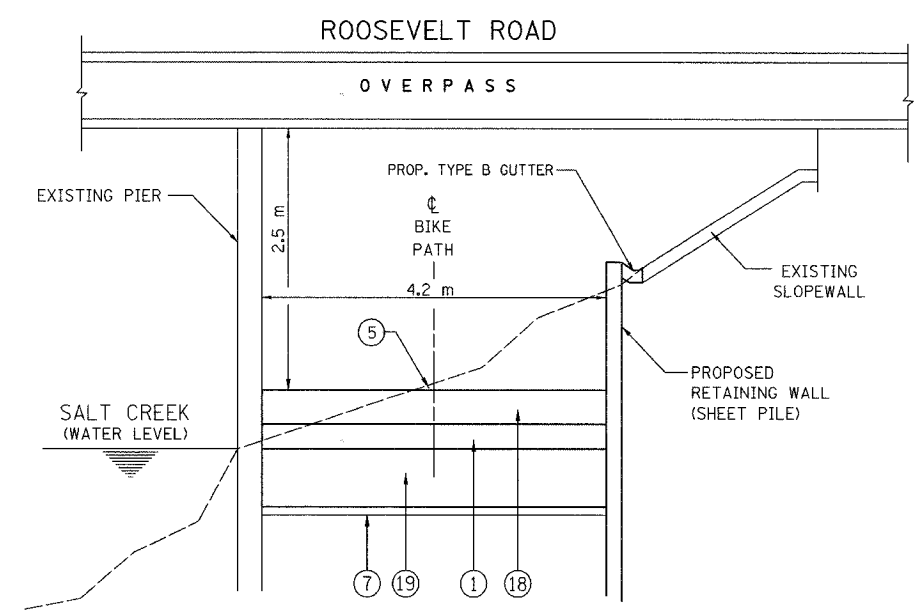
CONTRACT NO. 83714



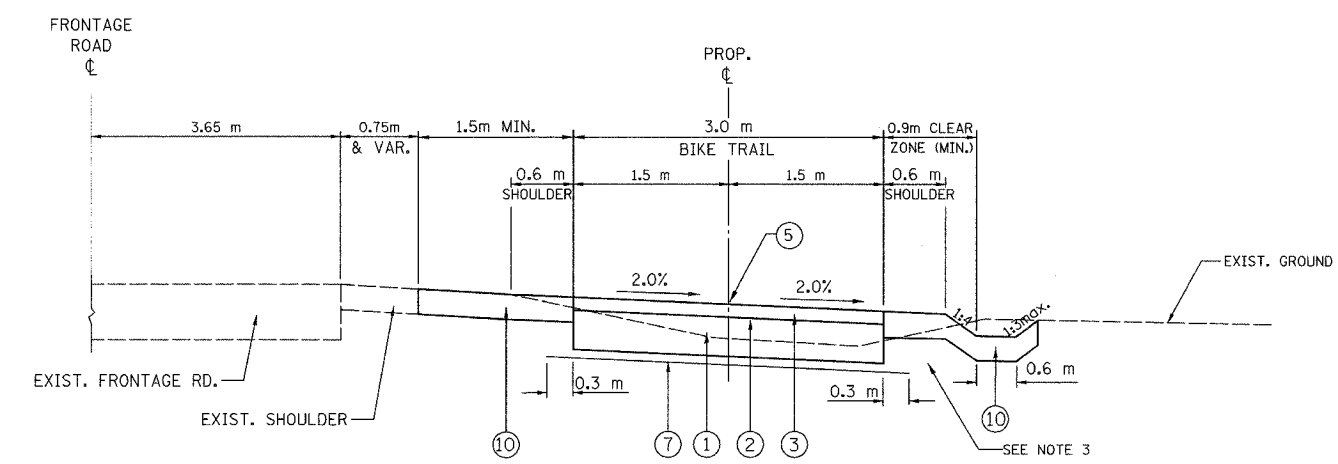
PROPOSED TYPICAL SECTION
STA. 23+200 TO STA. 23+290



PROPOSED TYPICAL SECTION
STA. 23+393 TO STA. 23+428.4



PROPOSED TYPICAL SECTION
STA. 23+290 TO STA. 23+393



PROPOSED TYPICAL SECTION
STA. 23+428.4 TO STA. 24+350

LEGEND:

- ① AGGREGATE BASE COURSE, TYPE B, 150 mm
- ② BITUMINOUS PRIME COAT
- ③ BITUMINOUS CONCRETE SURFACE COURSE, SUPERPAVE MIX "C", N50, 50 mm
- ④ 150 mm TOP SOIL AND SEEDING CLASS 4A
- ⑤ PAINT PAVEMENT MARKING, 100 mm YELLOW
- ⑥ EXISTING GROUND
- ⑦ GEOTECHNICAL FABRIC FOR GROUND STABILIZATION
- ⑩ 150 mm TOP SOIL AND SEEDING, CLASS 1 B
- ⑮ 100 mm AGGREGATE SHOULDER, TYPE B
- ⑱ P.C.C. SIDEWALK 150 mm
- ⑲ P.G.E. SUBGRADE 300 mm

ITEM	AC TYPE	VOIDS	RAP %	USAGE
BITUMINOUS CONCRETE SURFACE COURSE, SUPERPAVE, MIX. C, N50	PG 64-22	4% @ 50 GYR	15%	BIKE PATH SURFACE

DESIGNER USED UNIT WEIGHT 112 LBS/SQ YD/IN (2.39 KG/SM/MM) FOR CALCULATION PURPOSES

REVISIONS		
NO.	NAME	DATE

URS 1701 GOLF ROAD, SUITE 1000 TEL (847) 228-0707
ROLLING MEADOWS, IL 60008 FAX (847) 228-1115

VILLAGE OF OAK BROOK
SALT CREEK GREENWAY TRAIL
TYPICAL SECTIONS

DATE: 7/20/05 DRAWN BY: MIA&VP
DESIGNED BY: MIA CHECKED BY: DDL