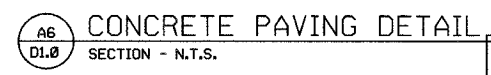
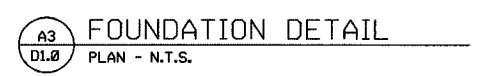
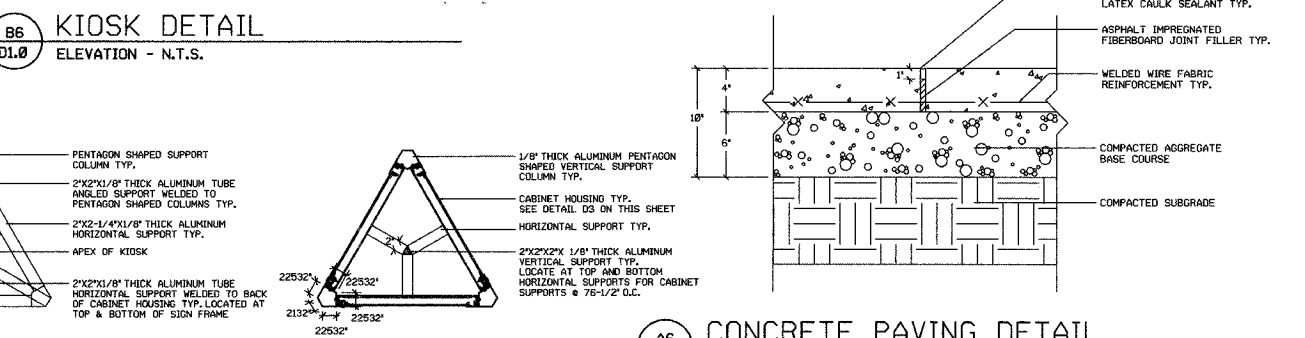
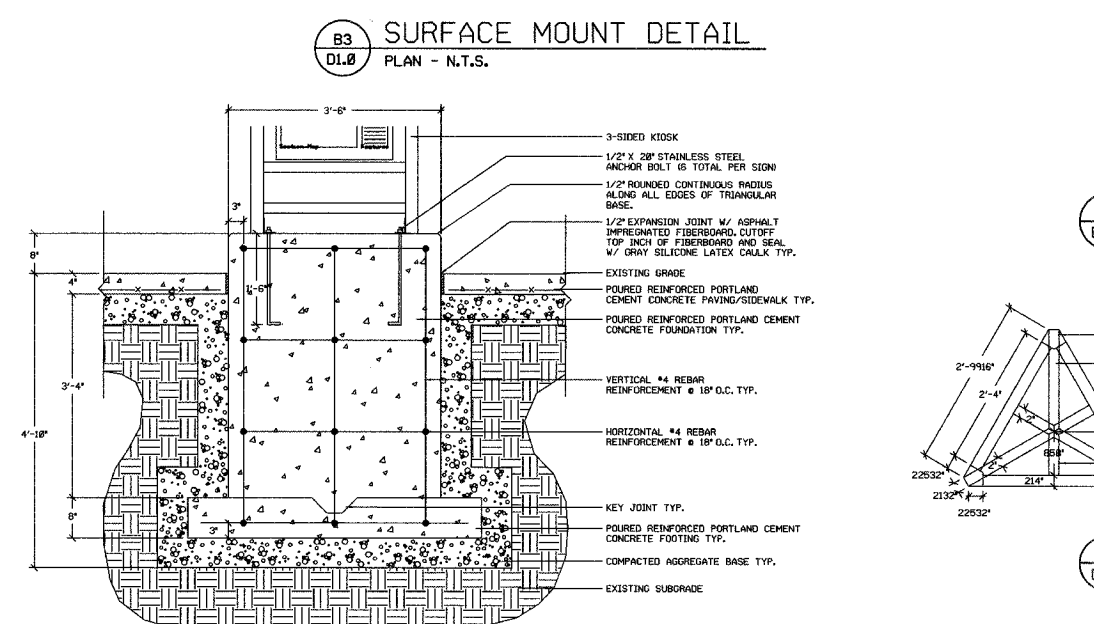
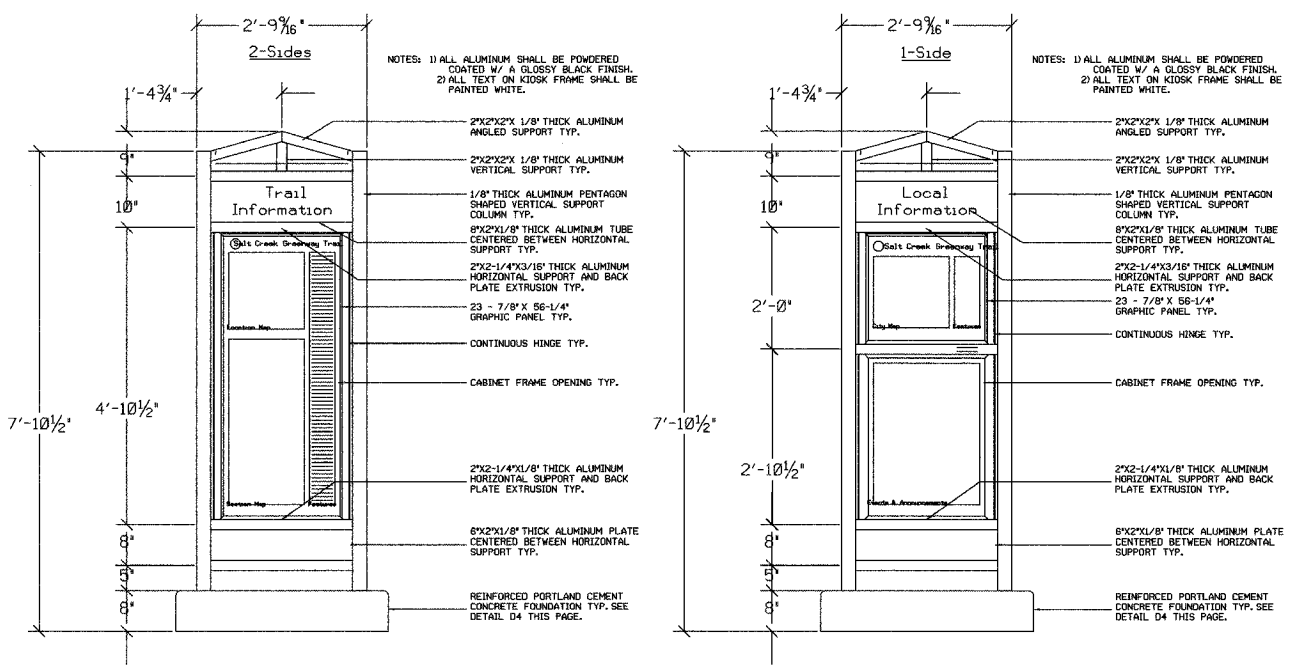
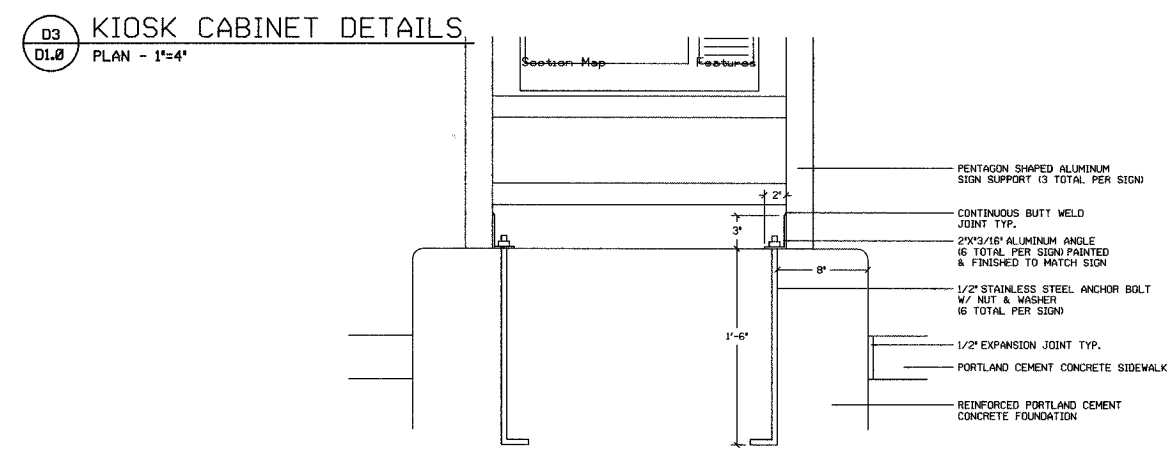
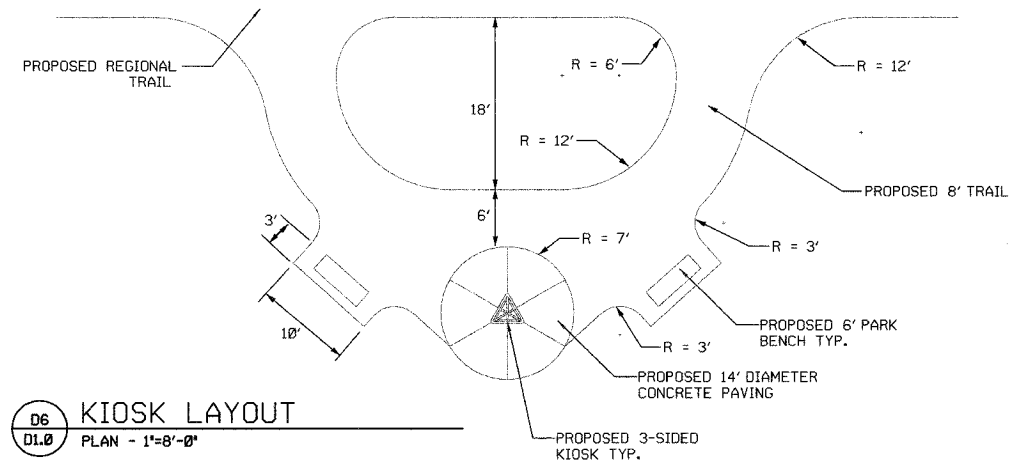
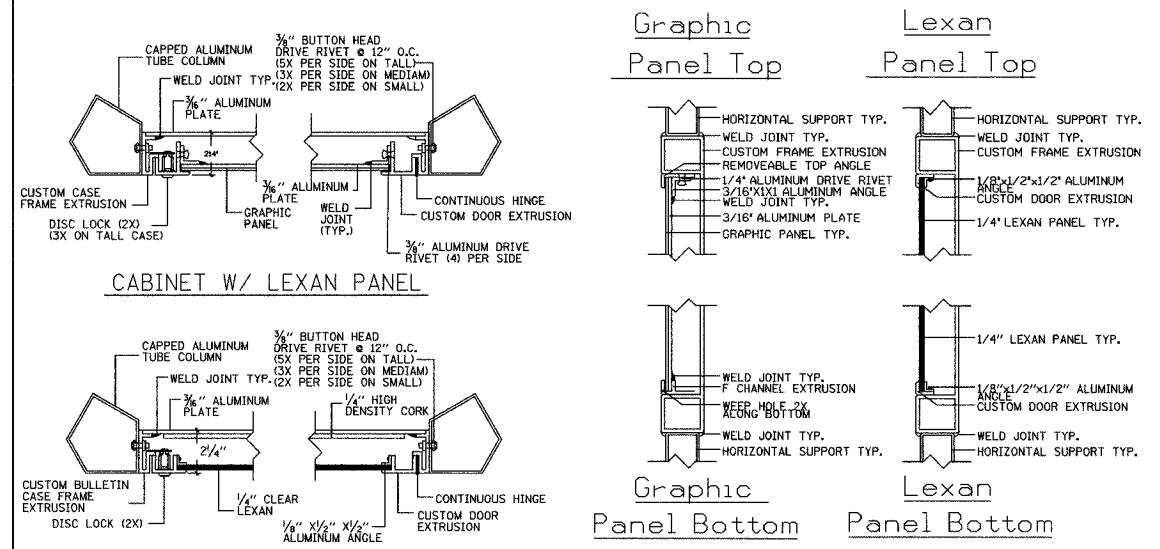


SECTION	COUNTY	TOTAL SHEETS	SHEET NO.
02-00034-00-BT	DUPAGE	108	30
STA. TO STA.			
IDOT PROJECT NO. M-8003(216)			
SALT CREEK GREENWAY TRAIL			
CONTRACT NO. 83714			



REVISIONS		
NO.	NAME	DATE

URS 1701 GOLF ROAD, SUITE 1000 TEL. (847) 228-0707
 ROLLING MEADOWS, IL 60008 FAX. (847) 228-1115

VILLAGE OF OAK BROOK
SALT CREEK GREENWAY TRAIL
 INFORMATION KIOSK
 DETAILS

DATE: 7/20/05 DRAWN BY: MIA&VP
 DESIGNED BY: MIA CHECKED BY: DDL