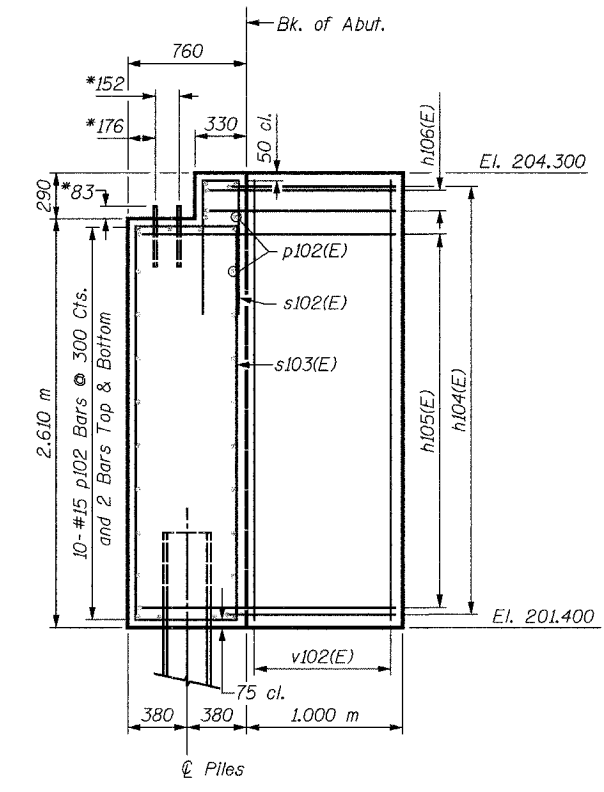


ELEVATION



SIDE VIEW

PILE DATA:

Type: HP310x79
 Capacity: Driven to Refusal
 Est. Length: 10 m
 No. Required: 3

*Anchor bolt size and locations shall be checked against the Bridge Fabricator's requirements prior to setting them.

BILL OF MATERIAL

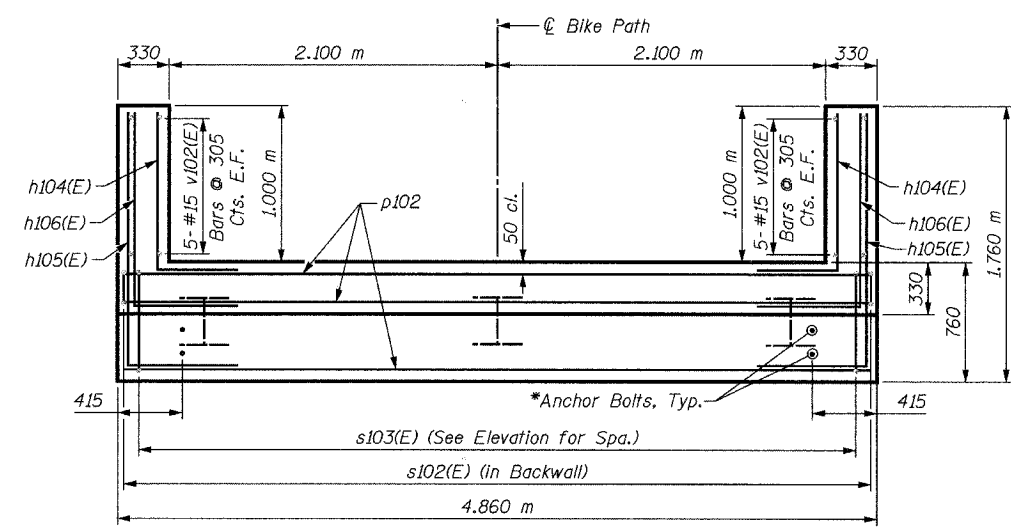
Bar	No.	Size	Length	Shape
h104(E)	24	#15	1.90 m	┌───┐
h105(E)	20	#15	2.56 m	┌───┐
h106(E)	4	#15	2.13 m	┌───┐
p102(E)	28	#15	4.76 m	───
s102(E)	18	#15	2.49 m	┌───┐
s103(E)	18	#15	6.56 m	┌───┐
v102(E)	20	#15	2.80 m	───
Concrete Structures			Cu. M	12.0
Reinforcement Bars, Epoxy Coated			kg	690
Furnishing Steel Piles HP310x79			Meter	30
Driving Steel Piles			Meter	30
Metal Shoes			Each	3
Structure Excavation			Cu. M	7

LEGEND

E.F. = Each Face

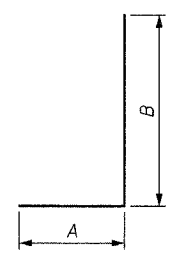
MIN. BAR LAP

#15 = 890

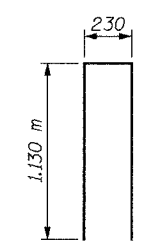


PLAN

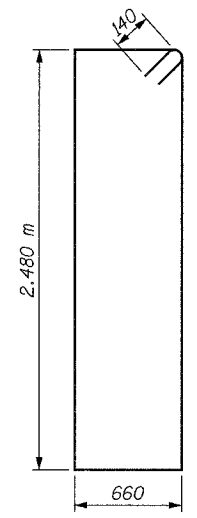
Bar	A	B
h104(E)	0.900 m	1.000 m
h105(E)	0.900 m	1.660 m
h106(E)	0.900 m	1.230 m



BAR h104(E) TO h106(E)



BAR s102(E)



BAR s103(E)

NOTES:

- Space reinforcement in cap to miss anchor bolts.
- All edges shall have standard 20 mm chamfers except as noted.
- For Anchor Bolt Details, see Sheet S32.
- There shall be no splicing of longitudinal bars. Bars shall be ordered full length.
- Bars designated (E) shall be epoxy coated.

SHEET S4 of S33

REVISIONS		NAME	DATE		1701 GOLF ROAD, SUITE 1000 ROLLING MEADOWS, IL 60008	TEL (847) 228-0707 FAX (847) 228-1115
				VILLAGE OF OAKBROOK SALT CREEK GREENWAY TRAIL PEDESTRIAN BRIDGE, STA. 18+151.5 NORTH ABUTMENT DETAILS		
				DATE: 06/30/05		DRAWN BY: MDS
				DESIGNED BY: MDS		CHECKED BY: GAT