

BILL OF MATERIAL

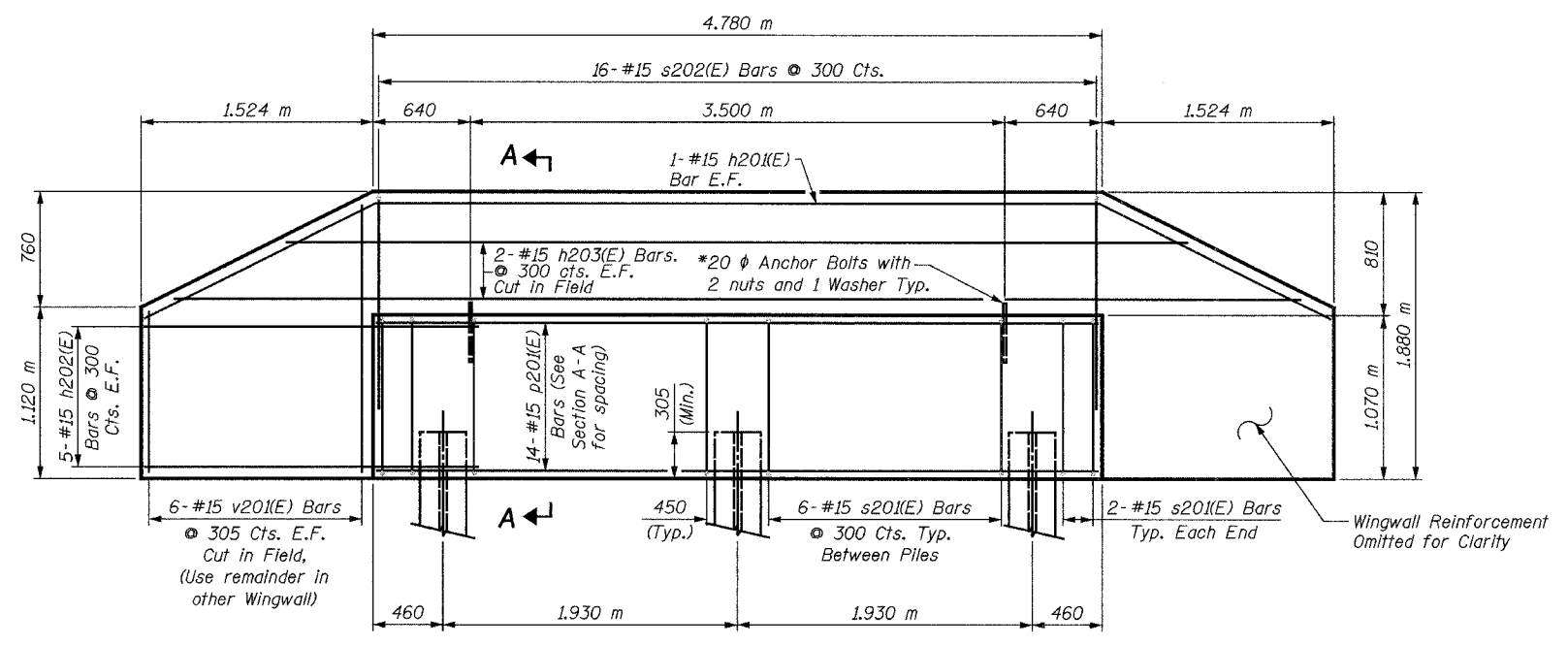
Bar	No.	Size	Length	Shape
h20(E)	2	#15	8.08 m	
h202(E)	20	#15	2.42 m	
h203(E)	4	#15	7.40 m	
p20(E)	14	#15	4.68 m	
s20(E)	16	#15	3.48 m	
s202(E)	16	#15	3.53 m	
v20(E)	12	#15	2.75 m	
Concrete Structures			Cu. M	6.7
Reinforcement Bars, Epoxy Coated			kg	480
Furnishing Steel Pile HP310x79			Meter	22
Driving Steel Piles			Meter	22
Test Pile Steel HP310x79			Each	1
Metal Shoes			Each	2
Structure Excavation			Cu. M	20

LEGEND

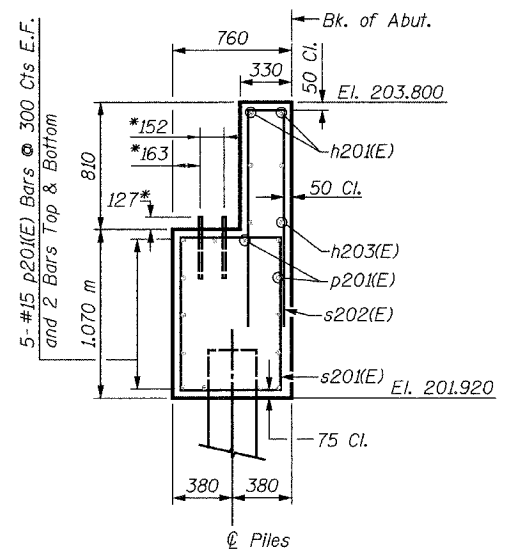
E.F. = Each Face

MIN. BAR LAP

#15 = 890

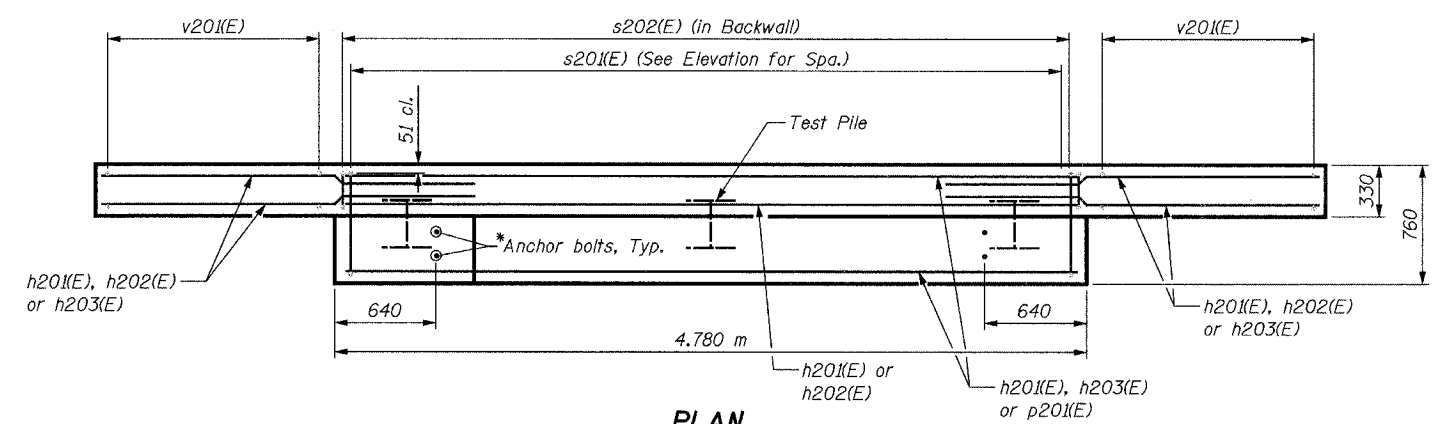


ELEVATION

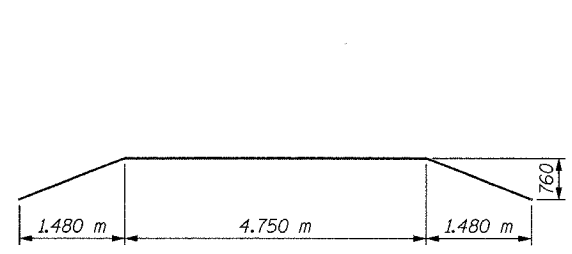


SECTION A-A

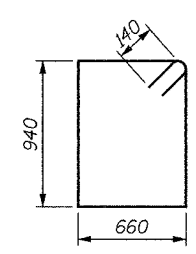
* Anchor bolt size and locations shall be checked against the bridge fabricator's requirements prior to setting them.



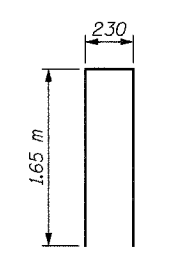
PLAN



BAR h20(E)



BAR s20(E)



BAR s202(E)

PILE DATA:

Type: HP310x79
 Capacity: Driven to Refusal
 Est. Length: 11 m
 No. Required: 2 + 1 Test Pile
 Test Pile shall be a permanent pile driven at the North Abutment

NOTES:

- Space reinforcement in cap to miss anchor bolts.
- All edges shall have standard 20 mm chamfers except as noted.
- For Anchor Bolt Details, see Sheet S32.
- There shall be no splicing of longitudinal bars. Bars shall be ordered full length.
- Bars designated (E) shall be epoxy coated.

SHEET S12 of S33

REVISIONS		NAME	DATE

1701 GOLF ROAD, SUITE 1000
 ROLLING MEADOWS, IL 60008
 TEL (847) 228-0707
 FAX (847) 228-1115

VILLAGE OF OAKBROOK
SALT CREEK GREENWAY TRAIL
PEDESTRIAN BRIDGE, STA. 18+802.5
NORTH ABUTMENT DETAILS

DATE: 06/30/05
DESIGNED BY: MDS

DRAWN BY: MDS
CHECKED BY: CAT