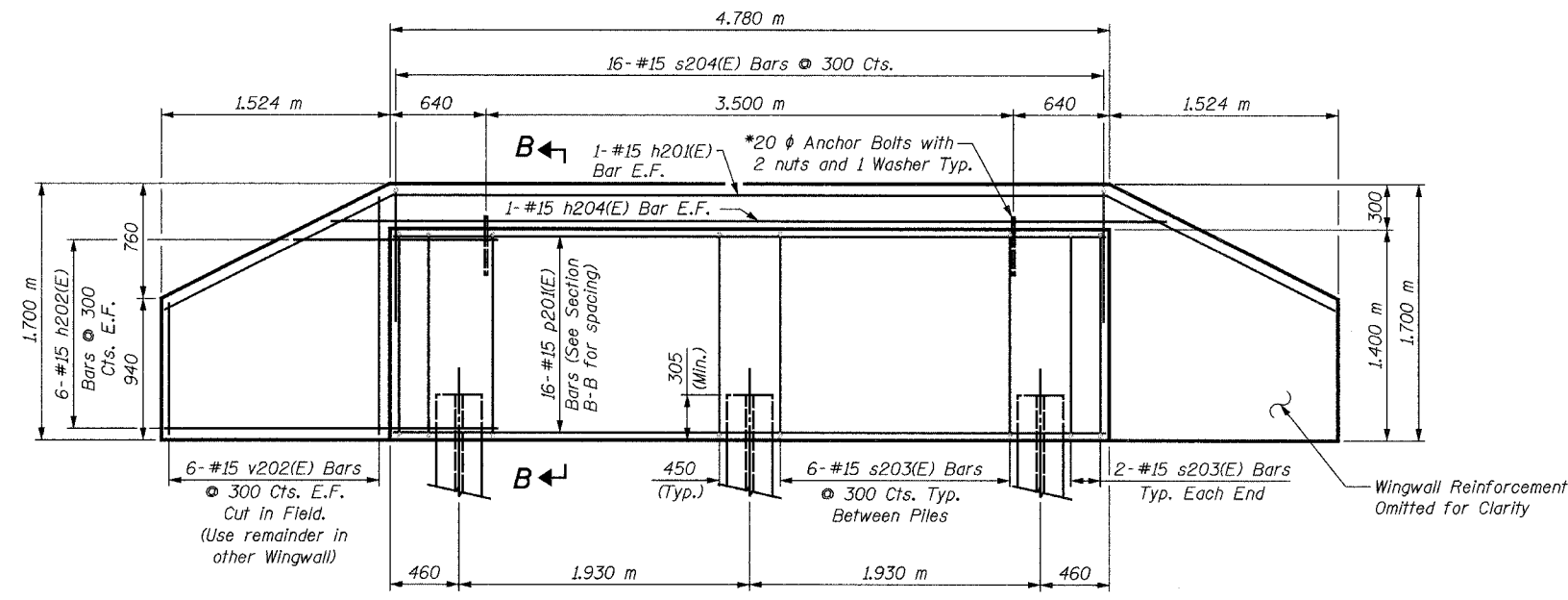
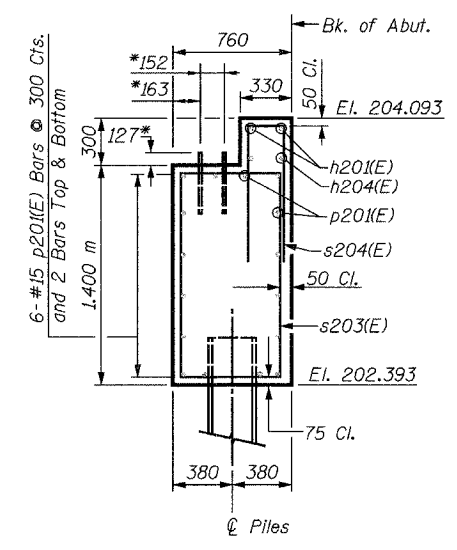


**BILL OF MATERIAL**

Bar	No.	Size	Length	Shape
h201(E)	2	#15	8.08 m	
h202(E)	24	#15	2.42 m	
h204(E)	2	#15	5.56 m	
p201(E)	16	#15	4.68 m	
s203(E)	16	#15	4.14 m	
s204(E)	16	#15	2.51 m	
v202(E)	12	#15	2.44 m	
Concrete Structures		Cu. M	6.9	
Reinforcement Bars, Epoxy Coated		kg	470	
Furnishing Steel Piles HP310x79		Meter	33	
Driving Steel Piles		Meter	33	
Metal Shoes		Each	3	
Structure Excavation		Cu. M	7	

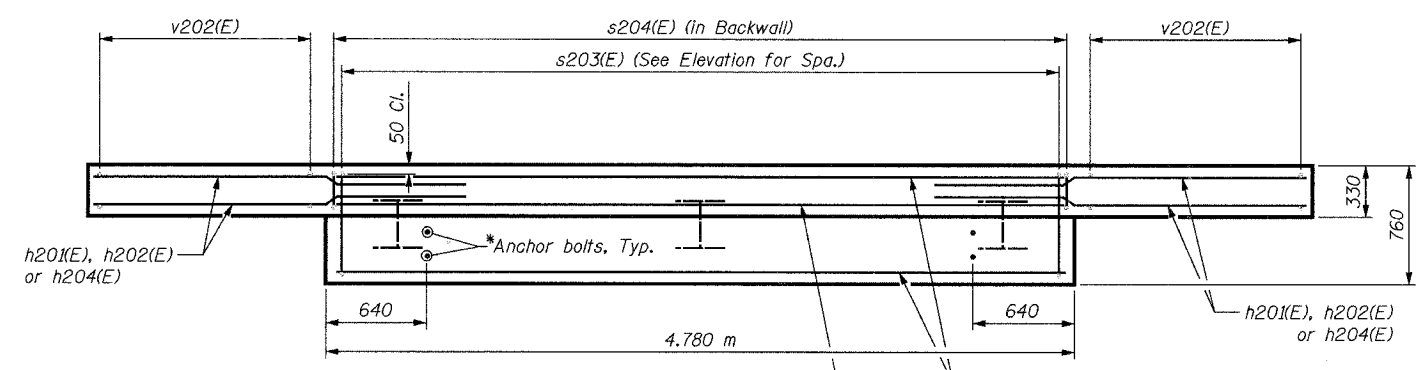


**ELEVATION**

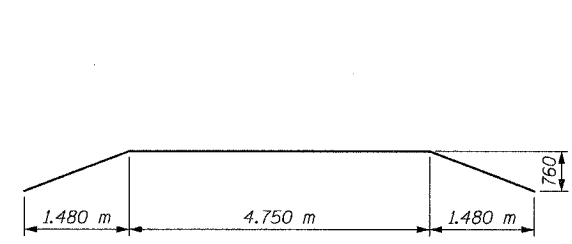


**SECTION B-B**

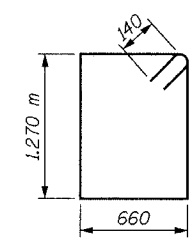
\* Anchor bolt size and locations shall be checked against the bridge fabricator's requirements prior to setting them.



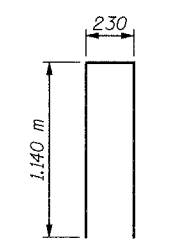
**PLAN**



**BAR h201(E)**



**BAR s203(E)**



**BAR s204(E)**

**PILE DATA:**

Type: HP310x79  
Capacity: Driven to Refusal  
Est. Length: 11 m  
No. Required: 3

**LEGEND**

E.F. = Each Face

**MIN. BAR LAP**

#15 = 890

**NOTES:**

- Space reinforcement in cap to miss anchor bolts.
- All edges shall have standard 20 mm chamfers except as noted.
- For Anchor Bolt Details, see Sheet S32.
- There shall be no splicing of longitudinal bars. Bars shall be ordered full length.
- Bars designated (E) shall be epoxy coated.

SHEET S14 of S33

REVISIONS		NAME	DATE
NO.	DESCRIPTION		

**URS**

1701 GOLF ROAD, SUITE 1000  
ROLLING MEADOWS, IL 60008

TEL (847) 228-0707  
FAX (847) 228-1115

VILLAGE OF OAKBROOK

**SALT CREEK GREENWAY TRAIL**

**PEDESTRIAN BRIDGE, STA. 18+802.5**

**SOUTH ABUTMENT DETAILS**

DATE: 06/30/05  
DESIGNED BY: MDS

DRAWN BY: MDS  
CHECKED BY: GAT