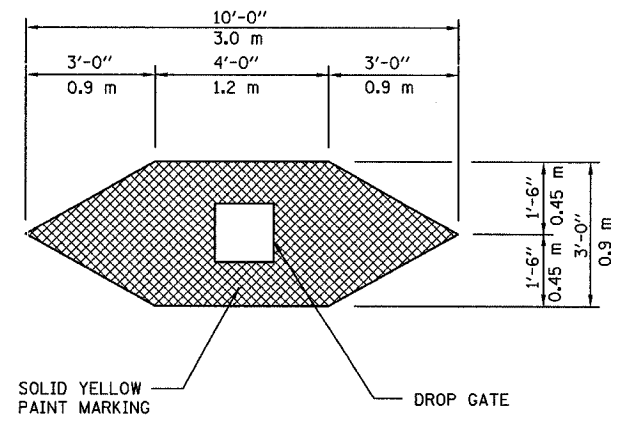
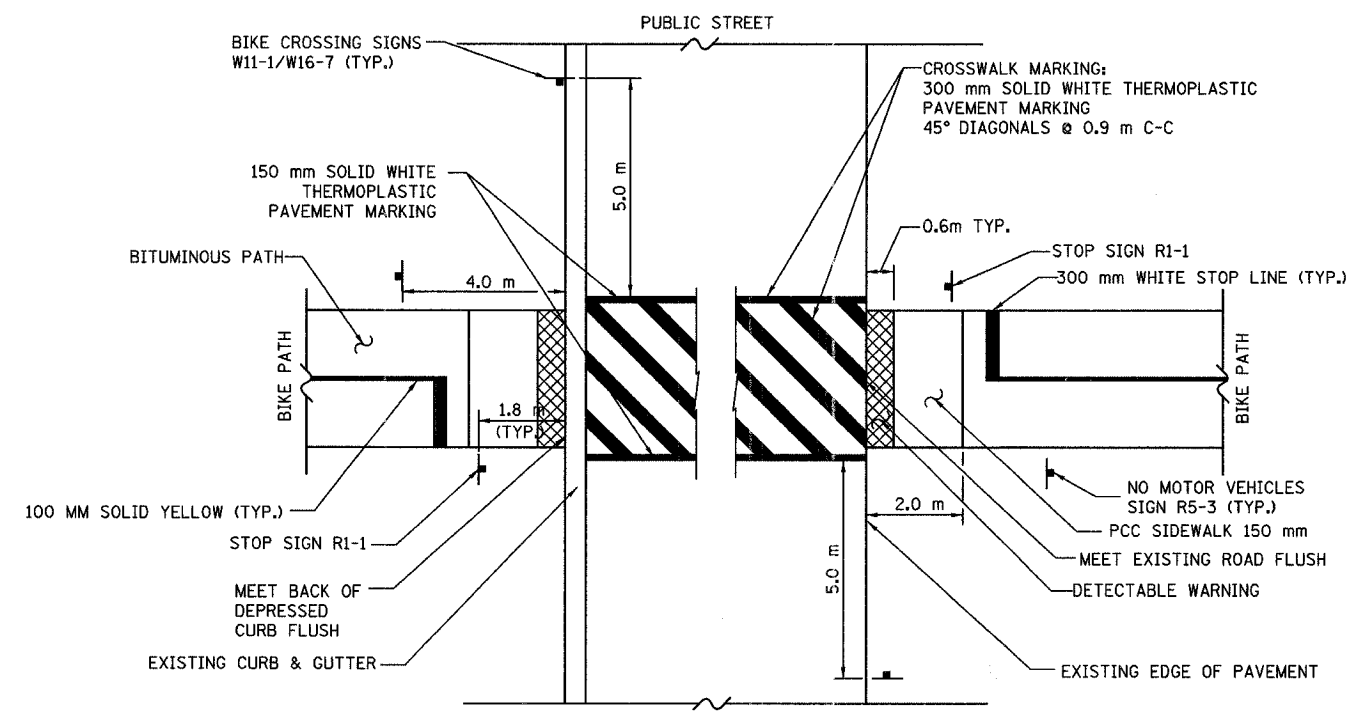


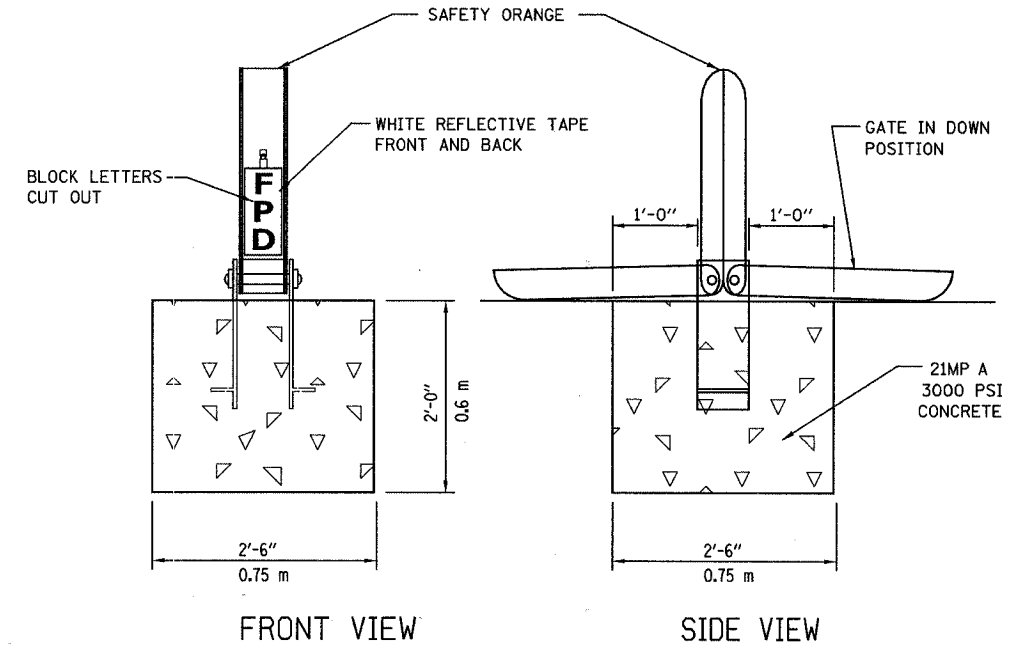
SECTION	COUNTY	TOTAL SHEETS	SHEET NO.
94-F3000-05-BT	COOK	102	70
STA.	TO STA.		
PROJECT NO. TE-0001 (610)			
CENTENNIAL TRAIL			
CONTRACT NO. 83859			



**DROP GATE MARKING DETAIL**  
N.T.S.

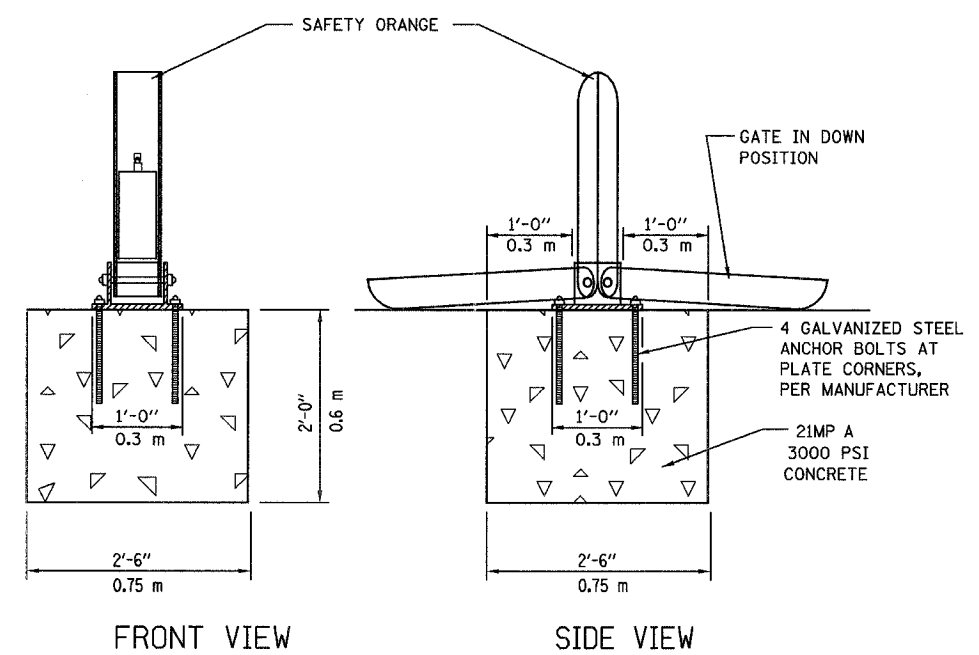


**STREET INTERSECTION SIGN AND PAVEMENT MARKING DETAIL**  
N.T.S.



**NOTE:**  
DROP GATE, SPECIAL ASSEMBLIES ARE FURNISHED BY THE FOREST PRESERVE DISTRICT, CONTRACTOR SHALL PRIME AND PAINT GATE AS REQUIRED IN SPECIFICATIONS.  
POSITION DROP GATE 4.0 m BACK FROM EDGE OF ROAD.

**DROP GATE, SPECIAL INSTALLATION DETAIL**  
N.T.S.



**NOTE:**  
DROP GATE ASSEMBLIES ARE FURNISHED BY THE CONTRACTOR  
POSITION DROP GATE 4.0 m BACK FROM EDGE OF ROAD.

**DROP GATE INSTALLATION DETAIL**  
N.T.S.

REVISIONS		
NO.	NAME	DATE

**URS** 100 S. WACKER DR., SUITE 500 TEL (312)-939-1000  
CHICAGO, IL 60606 FAX (312)-939-4198

FOREST PRESERVE DISTRICT OF COOK COUNTY  
**CENTENNIAL TRAIL**  
**SIGN DETAILS**

DATE: 10/20/06 DRAWN BY: VAP  
DESIGNED BY: DIH CHECKED BY: DDL