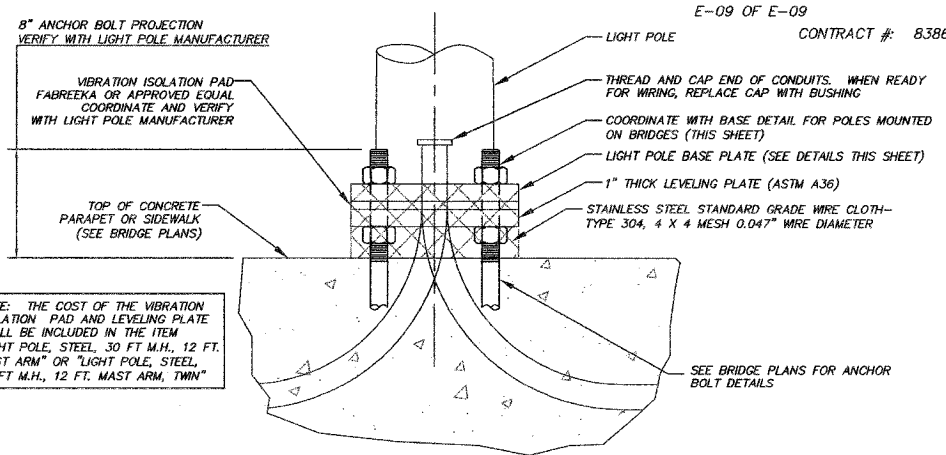
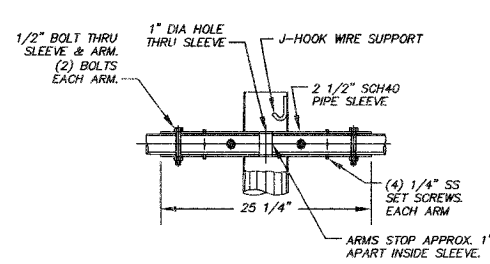
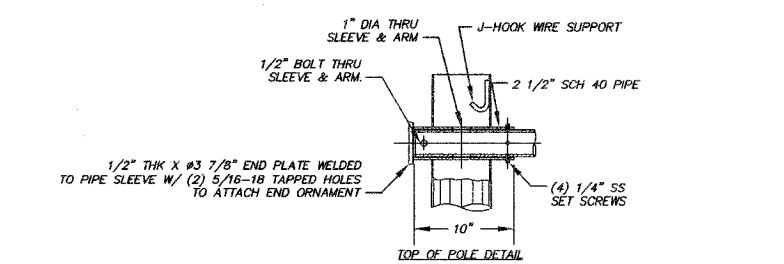


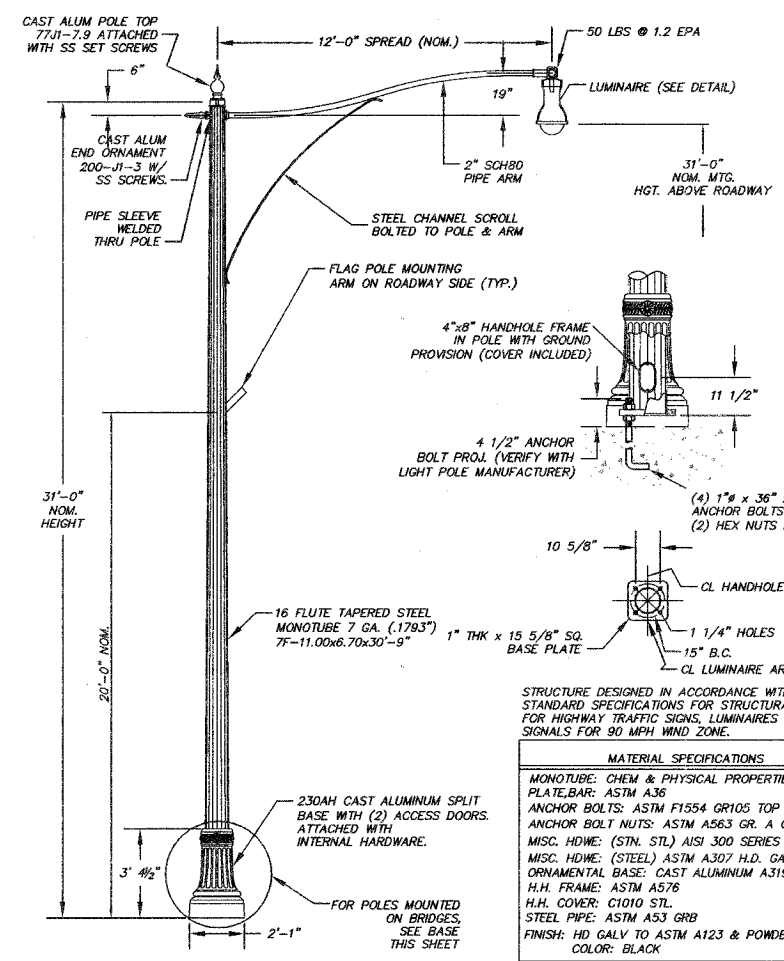
F.A.P. RTE.	SECTION	COUNTY	TOTAL SHEETS	SHEET NO.
1517	03-00247-00-BR	KANE	121	41
STA.	TO STA.			
FED. ROAD DIST. NO. 1		ILLINOIS	HIGHWAY PROJECT	

E-09 OF E-09
CONTRACT # 83867



NOTE: THE COST OF THE VIBRATION ISOLATION PAD AND LEVELING PLATE SHALL BE INCLUDED IN THE ITEM "LIGHT POLE, STEEL, 30 FT M.H., 12 FT. MAST ARM" OR "LIGHT POLE, STEEL, 30 FT M.H., 12 FT. MAST ARM, TWIN"

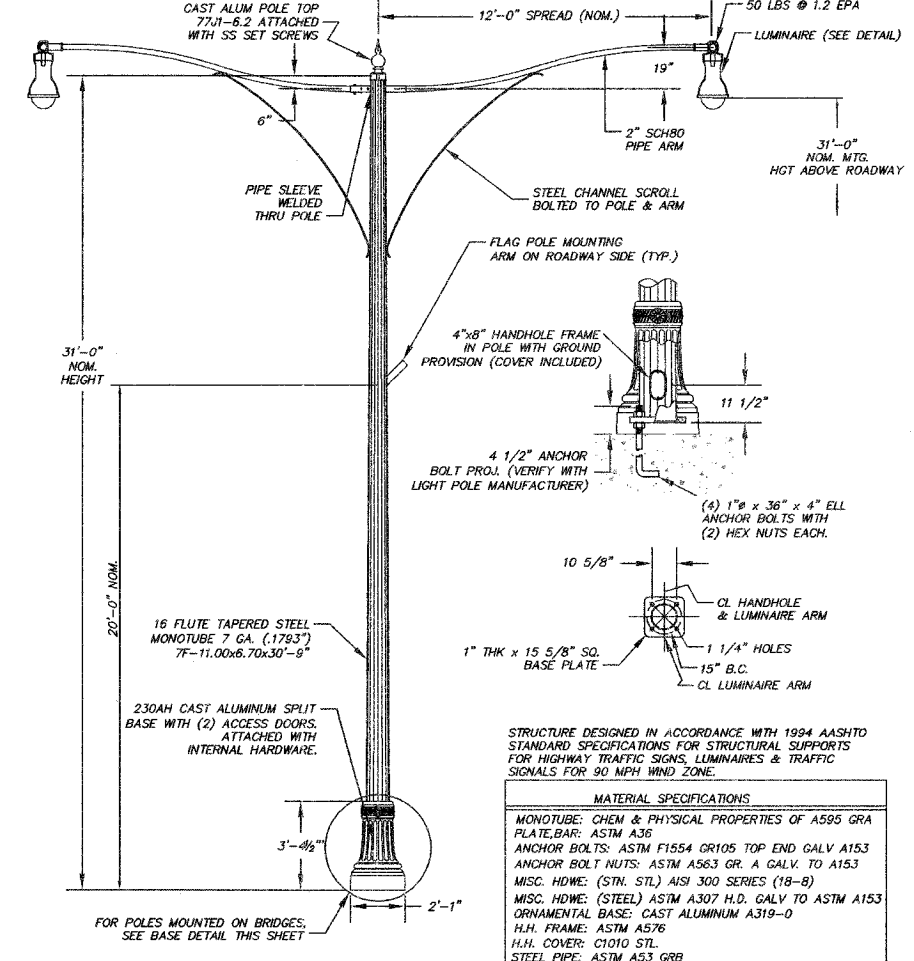
INSTALLATION DETAIL FOR POLES MOUNTED ON BRIDGES
WORK THIS DETAIL WITH BRIDGE PLANS



STRUCTURE DESIGNED IN ACCORDANCE WITH 1994 AASHTO STANDARD SPECIFICATIONS FOR STRUCTURAL SUPPORTS FOR HIGHWAY TRAFFIC SIGNS, LUMINAIRES & TRAFFIC SIGNALS FOR 90 MPH WIND ZONE.

MATERIAL SPECIFICATIONS	
MONOTUBE:	CHEM & PHYSICAL PROPERTIES OF A595 GRA PLATE, BAR: ASTM A36
ANCHOR BOLTS:	ASTM F1554 GR105 TOP END GALV A153
ANCHOR BOLT NUTS:	ASTM A563 GR. A GALV. TO A153
MISC. HDWE:	(STN. STL) AISI 300 SERIES (18-8)
MISC. HDWE:	(STEEL) ASTM A307 H.D. GALV TO ASTM A153
ORNAMENTAL BASE:	CAST ALUMINUM A319-0
H.H. FRAME:	ASTM A576
H.H. COVER:	C1010 STL
STEEL PIPE:	ASTM A53 GRB
FINISH:	HD GALV TO ASTM A123 & POWDER COATED. COLOR: BLACK

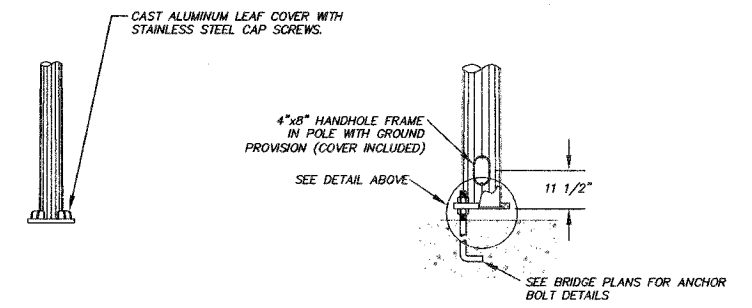
LIGHT POLE, STEEL, 30 FT. M.H., 12 FT. MAST ARM DETAIL
UNION METAL CORPORATION MODEL B70028-230-B41-Y1 OR APPROVED EQUAL



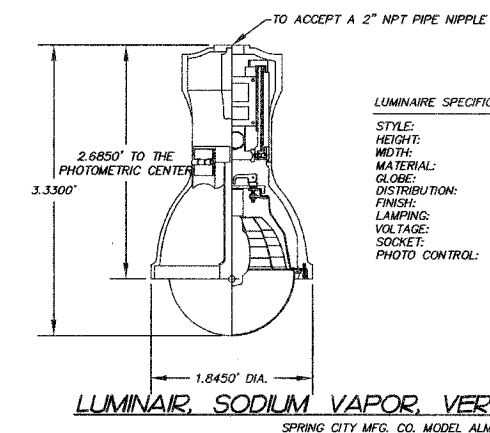
STRUCTURE DESIGNED IN ACCORDANCE WITH 1994 AASHTO STANDARD SPECIFICATIONS FOR STRUCTURAL SUPPORTS FOR HIGHWAY TRAFFIC SIGNS, LUMINAIRES & TRAFFIC SIGNALS FOR 90 MPH WIND ZONE.

MATERIAL SPECIFICATIONS	
MONOTUBE:	CHEM & PHYSICAL PROPERTIES OF A595 GRA PLATE, BAR: ASTM A36
ANCHOR BOLTS:	ASTM F1554 GR105 TOP END GALV A153
ANCHOR BOLT NUTS:	ASTM A563 GR. A GALV. TO A153
MISC. HDWE:	(STN. STL) AISI 300 SERIES (18-8)
MISC. HDWE:	(STEEL) ASTM A307 H.D. GALV TO ASTM A153
ORNAMENTAL BASE:	CAST ALUMINUM A319-0
H.H. FRAME:	ASTM A576
H.H. COVER:	C1010 STL
STEEL PIPE:	ASTM A53 GRB
FINISH:	HD GALV TO ASTM A123 & POWDER COATED. COLOR: BLACK

LIGHT POLE, STEEL, 30 FT. M.H., 12 FT. MAST ARM, TWIN DETAIL
UNION METAL CORPORATION MODEL B70028-230-B43-Y1 OR APPROVED EQUAL



BASE DETAIL FOR POLES MOUNTED ON BRIDGES
SEE BRIDGE PLANS FOR ANCHOR BOLT DETAILS



LUMINAIRE SPECIFICATIONS

STYLE: COLUMBIA VERTICAL LAMP, TYPE III, CUTOFF WITH 12" HALF ROUND GLOBE

HEIGHT: 27 3/4"

WIDTH: 15 3/8" DIAMETER

MATERIAL: CAST ALUMINUM ALLOY ANSI 356 PER A.S.T.M. B26-95

GLOBE: CLEAR POLYCARBONATE

DISTRIBUTION: TYPE III - ASYMMETRIC

FINISH: PRIME PAINT THEN FINISH SHERWIN WILLIAMS ACROLON - BLACK

LAMPING: 250 WATT HPS

VOLTAGE: QUAD

SOCKET: MORGUL BASE

PHOTO CONTROL: NONE

LUMINAIRE, SODIUM VAPOR, VERTICAL MOUNT, 250 WATT DETAIL
SPRING CITY MFG. CO. MODEL ALMCLB-PHR2-VC3 OR APPROVED EQUAL

SMITH ENGINEERING CONSULTANTS, INC.
CIVIL/STRUCTURAL ENGINEERS AND SURVEYORS
4500 PREMIER PARKWAY, SUITE 201
MCHENRY, ILLINOIS 61450
PH: 815-385-1778 FAX: 815-385-1781
www.smithengineering.com E-MAIL: see@smithengineering.com
MCHENRY # STURLETT # YORKVILLE
ILLINOIS PROFESSIONAL DESIGN FIRM # 184-000106

ILLINOIS DEPARTMENT OF TRANSPORTATION
CITY OF AURORA
ILLINOIS AVENUE OVER THE FOX RIVER
LIGHTING PLANS AND DETAILS

REVISIONS	
NO.	DATE
7.	
6.	
5.	
4.	
3.	
2.	
1.	KMA 12-08-06

SCALE: N.T.S. DRAWN BY CFR
DATE 07-28-06 CHECKED BY GB

PLOT FILE: STANDARD
COMP. FILE: 050181-609-lighting.dwg