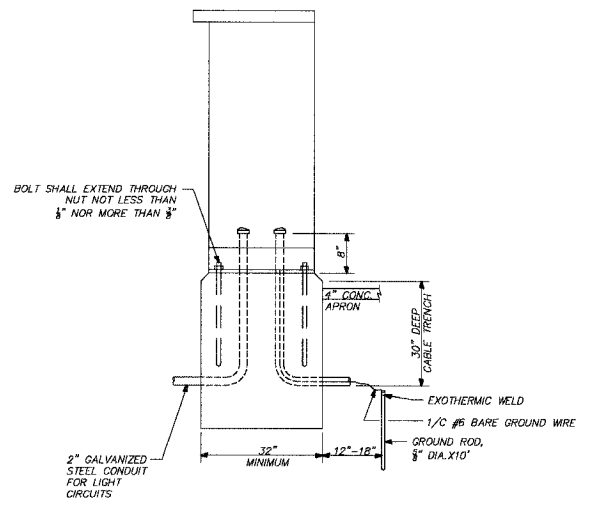
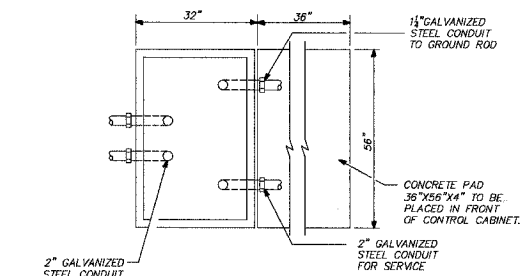


F.A.P. RTE.	SECTION	COUNTY	TOTAL SHEETS	SHEET NO.
1517	03-00247-00-BR	KANE	121	40
STA.		TO STA.		
FED. ROAD DIST. NO. 1		ILLINOIS HIGHWAY PROJECT		
E-08 OF E-09				

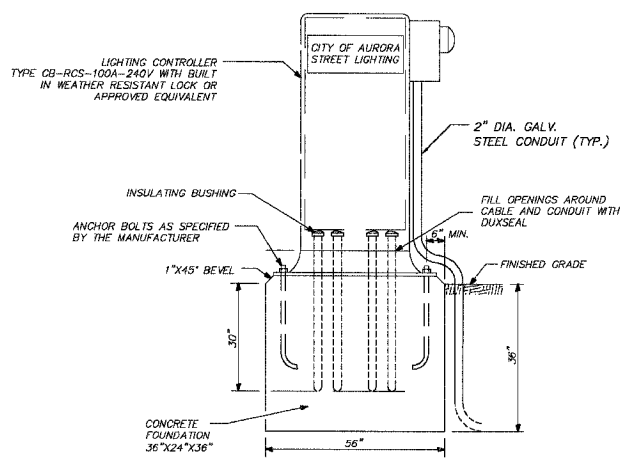
CONTRACT #: 83867



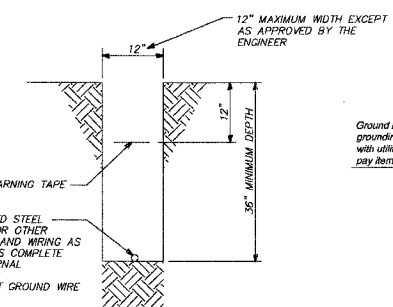
CABINET AND FOUNDATION (SIDE VIEW)



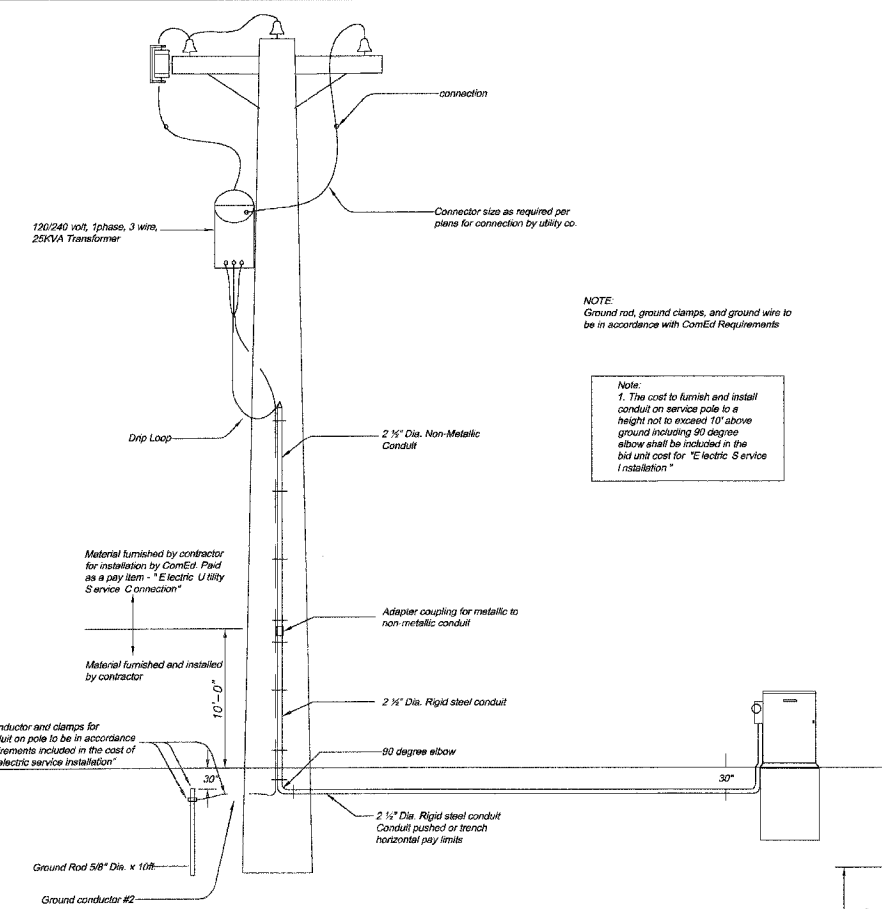
FOUNDATION (TOP VIEW)



CABINET AND FOUNDATION (FRONT VIEW)

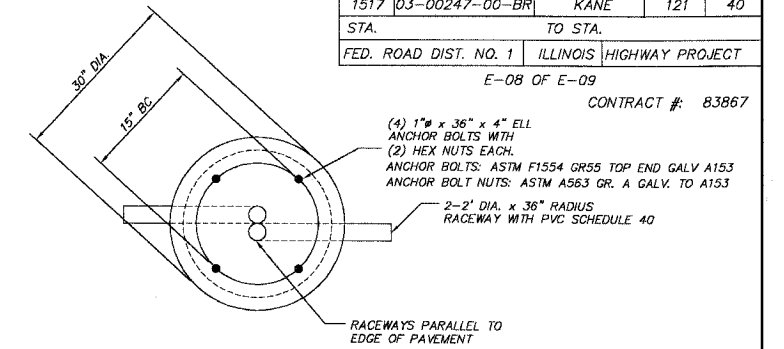


TYPICAL CONDUIT IN TRENCH DETAIL

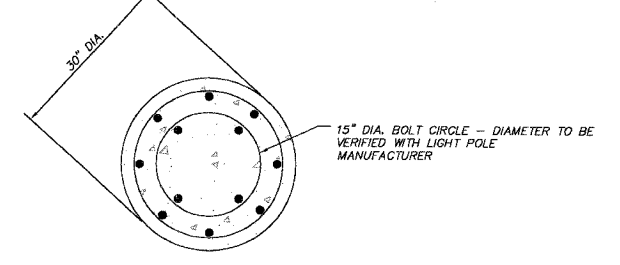


PROPOSED SERVICE INSTALLATION POLE TOP MOUNTED TRANSFORMER

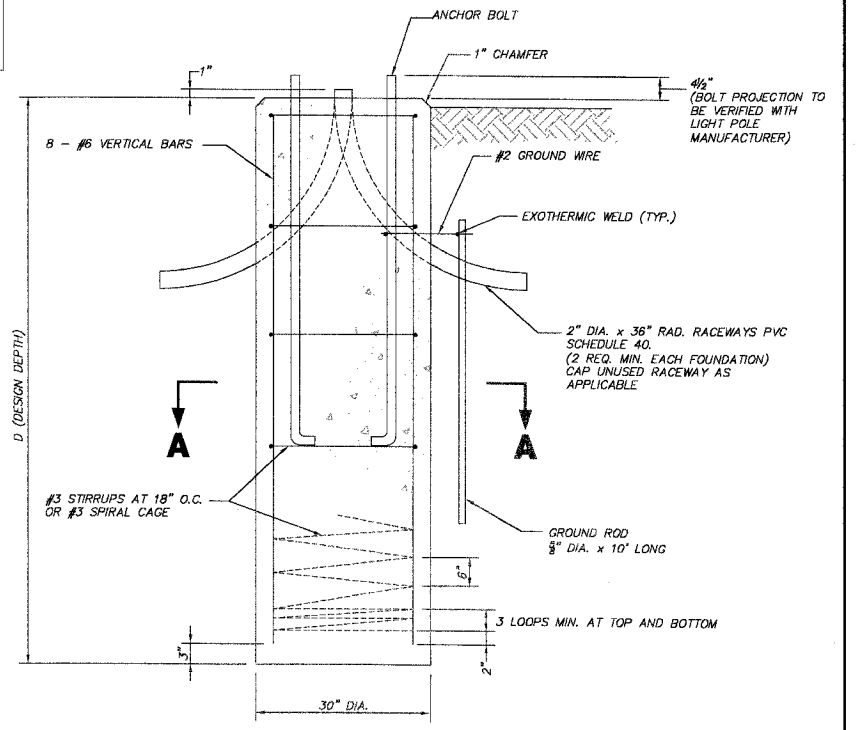
SOIL CONDITIONS	DESIGN DEPTH "D" OF FOUNDATION	
	SINGLE ARM POLE	TWIN ARM POLE
SOFT CLAY Qu = 0.375 TON/SQ. FT.	11'-0"	12'-8"
MEDIUM CLAY Qu = 0.75 TON/SQ. FT.	9'-0"	14'-10"
STIFF CLAY Qu = 1.50 TON/SQ. FT.	7'-6"	8'-7"
LOOSE SAND Phi = 34°	9'-6"	10'-7"
MEDIUM SAND Phi = 37.5°	9'-0"	9'-10"
DENSE SAND Phi = 40°	8'-3"	9'-7"



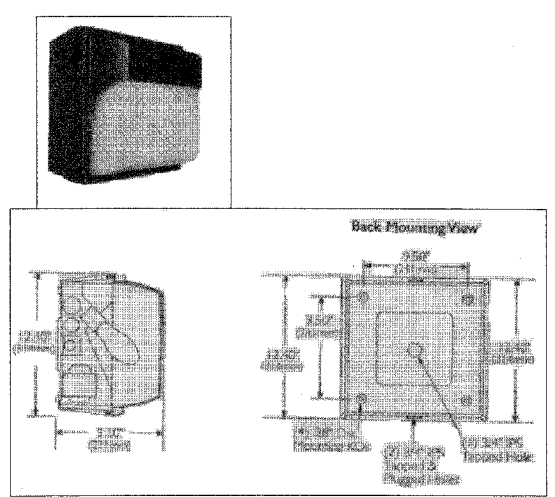
TOP PLAN



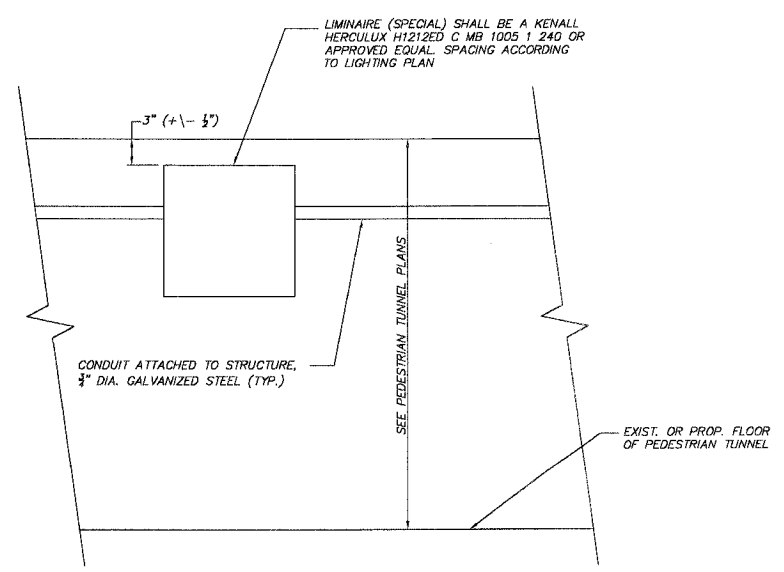
SECTION A-A



FOUNDATION DETAIL



LUMINAIRE (SPECIAL) DETAIL



ELEVATION OF SIDE WALL INSIDE PEDESTRIAN TUNNEL

NOTES

1. THE ANCHOR BOLTS TIED WITH REINFORCEMENT AND RACEWAYS SHALL BE PROPERLY SECURED IN PLACE BEFORE THE CONCRETE IS PLACED IN THE FORM.
2. RACEWAYS SHALL PROJECT 1" ABOVE THE TOP OF THE FOUNDATION.
3. THE CABLE TRENCH SHALL BE BACKFILLED AND FIRMLY COMPACTED BEFORE LIGHT POLE IS ERECTED.
4. CONCRETE FOR LIGHT POLE FOUNDATION, 30" SHALL BE CLASS SI. CONCRETE FOUNDATION MUST BE CURED FOR TEN (10) DAYS BEFORE THE LIGHT STANDARD IS ERECTED.

REVISIONS	
NO.	DATE
7.	
6.	
5.	
4.	
3.	
2.	
1.	

SMITH ENGINEERING CONSULTANTS, INC.
 CIVIL/STRUCTURAL ENGINEERS AND SURVEYORS
 4500 VIEWS PARKWAY, SUITE 201
 McHENRY, ILLINOIS 60050
 PH: 815-385-1776 FAX: 815-385-1761
 www.smithengineering.com E-MAIL: see@smithengineering.com
 McHENRY HUNTLEY YORKVILLE
 ILLINOIS PROFESSIONAL DESIGN FIRM # 184-000108

ILLINOIS DEPARTMENT OF TRANSPORTATION

CITY OF AURORA
 ILLINOIS AVENUE OVER THE FOX RIVER
 LIGHTING PLANS AND DETAILS

SCALE: N.T.S.
 DATE 07-28-08

DRAWN BY
 CHECKED BY GB

PLOT FILE: STANDARD
 VIEW: CE-40
 COMP. FILE: 050101-609-lighting.dwg