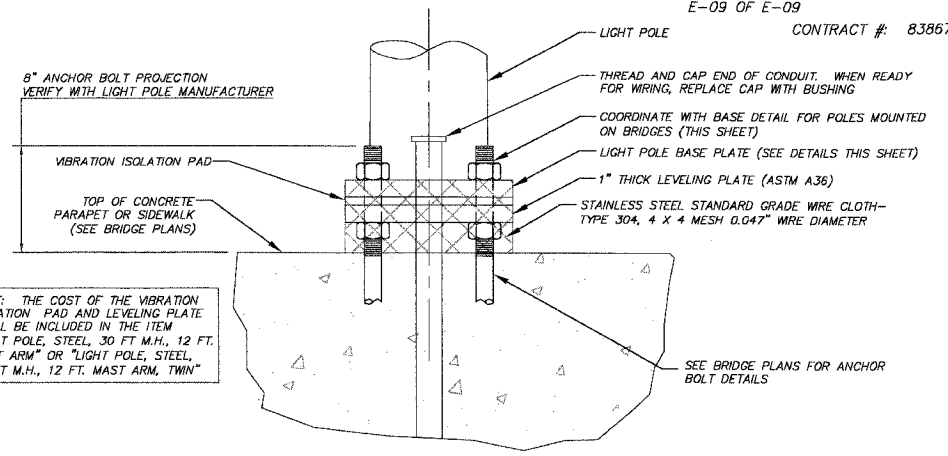
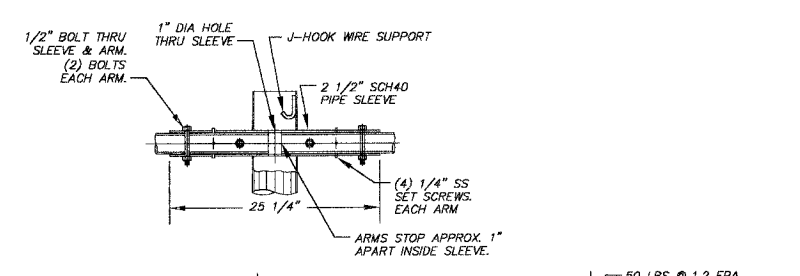
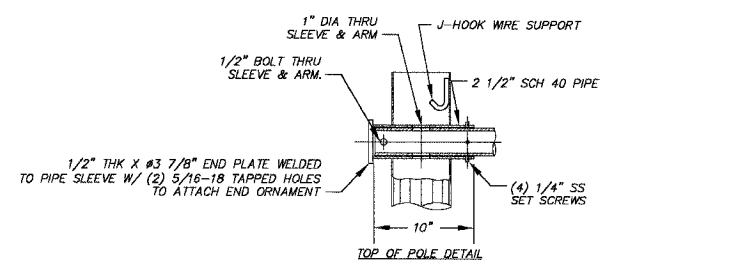


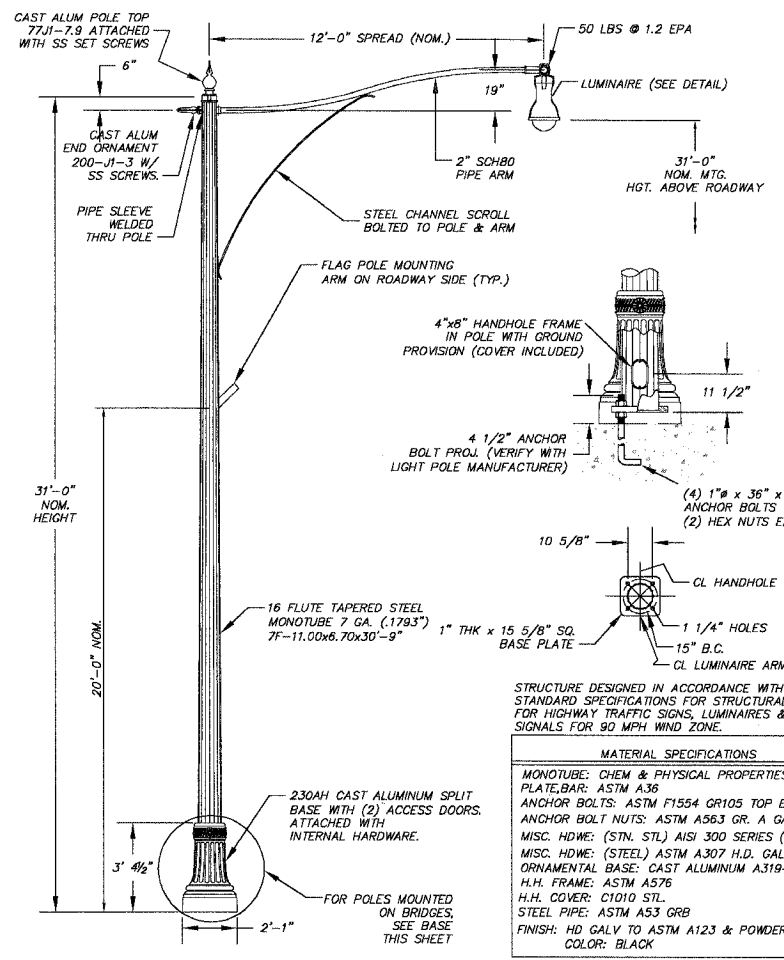
F.A.P. RTE.	SECTION	COUNTY	TOTAL SHEETS	SHEET NO.
1517	03-00247-00-BR	KANE	121	41
STA.		TO STA.		
FED. ROAD DIST. NO. 1		ILLINOIS HIGHWAY PROJECT		

E-09 OF E-09  
CONTRACT # 83867



NOTE: THE COST OF THE VIBRATION ISOLATION PAD AND LEVELING PLATE SHALL BE INCLUDED IN THE ITEM "LIGHT POLE, STEEL, 30 FT. M.H., 12 FT. MAST ARM" OR "LIGHT POLE, STEEL, 30 FT. M.H., 12 FT. MAST ARM, TWIN"

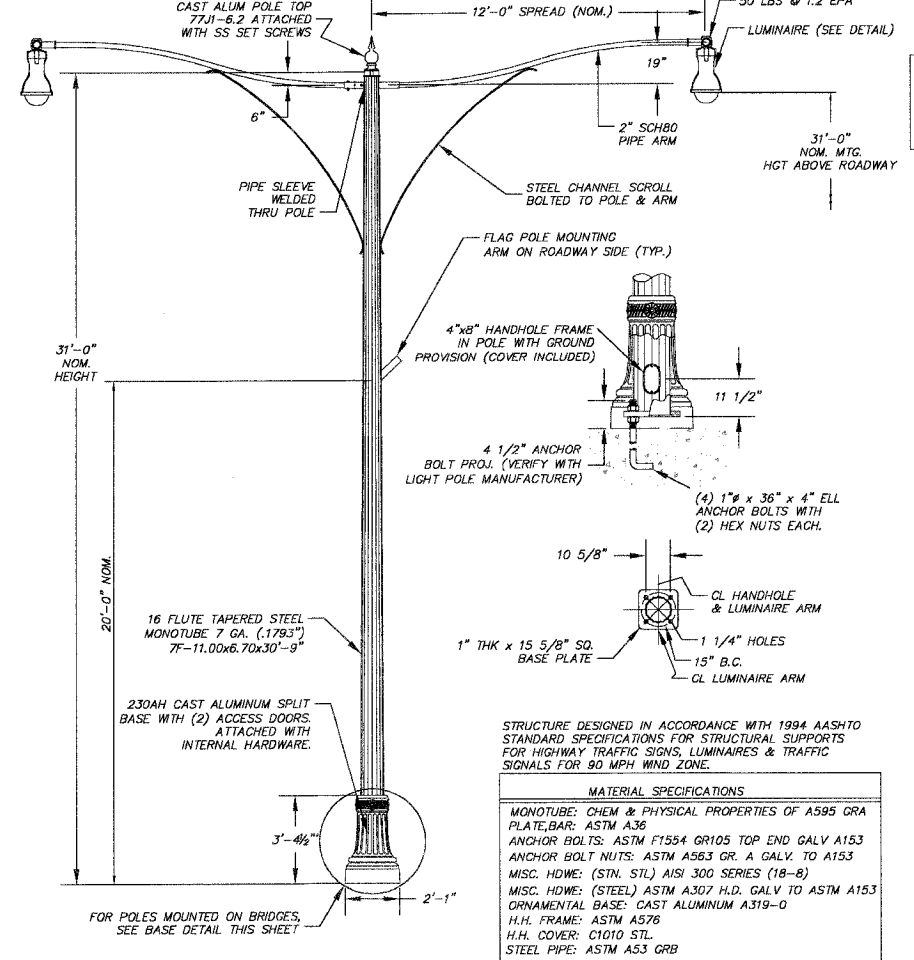
**INSTALLATION DETAIL FOR POLES MOUNTED ON BRIDGES**  
WORK THIS DETAIL WITH BRIDGE PLANS



STRUCTURE DESIGNED IN ACCORDANCE WITH 1994 AASHTO STANDARD SPECIFICATIONS FOR STRUCTURAL SUPPORTS FOR HIGHWAY TRAFFIC SIGNS, LUMINAIRES & TRAFFIC SIGNALS FOR 90 MPH WIND ZONE.

**MATERIAL SPECIFICATIONS**  
MONOTUBE: CHEM & PHYSICAL PROPERTIES OF A595 GRA PLATE, BAR: ASTM A36  
ANCHOR BOLTS: ASTM F1554 GR105 TOP END GALV A153  
ANCHOR BOLT NUTS: ASTM A563 GR. A GALV. TO A153  
MISC. HDWE: (STN. STL) AISI 300 SERIES (18-8)  
MISC. HDWE: (STEEL) ASTM A307 H.D. GALV TO ASTM A153  
ORNAMENTAL BASE: CAST ALUMINUM A319-D  
H.H. FRAME: ASTM A576  
H.H. COVER: C1010 STL  
STEEL PIPE: ASTM A53 GRB  
FINISH: HD GALV TO ASTM A123 & POWDER COATED. COLOR: BLACK

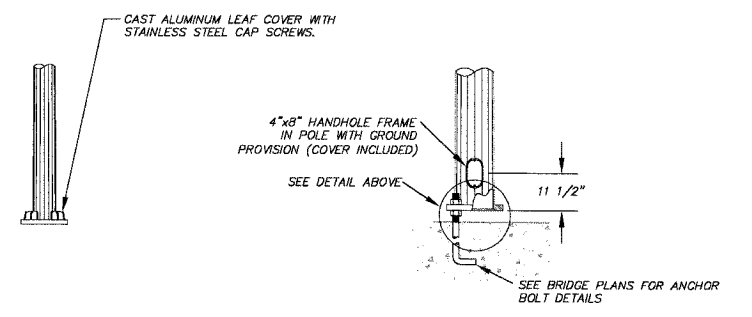
**LIGHT POLE, STEEL, 30 FT. M.H., 12 FT. MAST ARM DETAIL**  
UNION METAL CORPORATION MODEL B70028-230-B41-Y1 OR APPROVED EQUAL



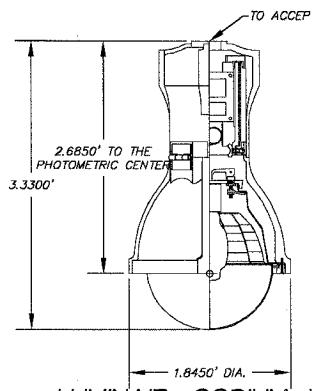
STRUCTURE DESIGNED IN ACCORDANCE WITH 1994 AASHTO STANDARD SPECIFICATIONS FOR STRUCTURAL SUPPORTS FOR HIGHWAY TRAFFIC SIGNS, LUMINAIRES & TRAFFIC SIGNALS FOR 90 MPH WIND ZONE.

**MATERIAL SPECIFICATIONS**  
MONOTUBE: CHEM & PHYSICAL PROPERTIES OF A595 GRA PLATE, BAR: ASTM A36  
ANCHOR BOLTS: ASTM F1554 GR105 TOP END GALV A153  
ANCHOR BOLT NUTS: ASTM A563 GR. A GALV. TO A153  
MISC. HDWE: (STN. STL) AISI 300 SERIES (18-8)  
MISC. HDWE: (STEEL) ASTM A307 H.D. GALV TO ASTM A153  
ORNAMENTAL BASE: CAST ALUMINUM A319-D  
H.H. FRAME: ASTM A576  
H.H. COVER: C1010 STL  
STEEL PIPE: ASTM A53 GRB  
FINISH: HD GALV TO ASTM A123 & POWDER COATED. COLOR: BLACK

**LIGHT POLE, STEEL, 30 FT. M.H., 12 FT. MAST ARM, TWIN DETAIL**  
UNION METAL CORPORATION MODEL B70028-230-B43-Y1 OR APPROVED EQUAL



**BASE DETAIL FOR POLES MOUNTED ON BRIDGES**



**LUMINAIRE SPECIFICATIONS**  
STYLE: COLUMBIA VERTICAL LAMP, TYPE III, CUTOFF WITH 12" HALF ROUND GLOBE  
HEIGHT: 27 3/4"  
WIDTH: 15 3/8" DIAMETER  
MATERIAL: CAST ALUMINUM ALLOY ANS1 356 PER A.S.T.M. B26-95  
GLOBE: CLEAR POLYCARBONATE  
DISTRIBUTION: TYPE III - ASYMMETRIC  
FINISH: PRIME PAINT THEN FINISH SHERWIN WILLIAMS ACROLON - BLACK  
LAMPING: 250 WATT HPS  
VOLTAGE: QUAD  
SOCKET: MODUL BASE  
PHOTO CONTROL: NONE

**LUMINAIRE, SODIUM VAPOR, VERTICAL MOUNT, 250 WATT DETAIL**  
SPRING CITY MFG. CO. MODEL ALMCLB-PHR2-VC3 OR APPROVED EQUAL

REVISIONS	
NAME	DATE
7.	
6.	
5.	
4.	
3.	
2.	
1.	

**SMITH ENGINEERING CONSULTANTS, INC.**  
CIVIL/STRUCTURAL ENGINEERS AND SURVEYORS  
4500 FIRME PARKWAY, SUITE 201  
MCKENRY, ILLINOIS 60050  
PH: 815-395-1778 FAX: 815-395-1781  
www.smithengineering.com E-MAIL: seo@smithengineering.com  
McHENRY HUNTLEY YORKVILLE  
ILLINOIS PROFESSIONAL DESIGN FIRM # 184-000108

ILLINOIS DEPARTMENT OF TRANSPORTATION  
CITY OF AURORA  
ILLINOIS AVENUE OVER THE FOX RIVER  
LIGHTING PLANS AND DETAILS

SCALE: N.T.S. DRAWN BY CFR  
DATE 07-28-06 CHECKED BY GB

PLT FILE: STANDARD  
VIEW: CE-41  
COMP. FILE: 030181-009-lighting.dwg