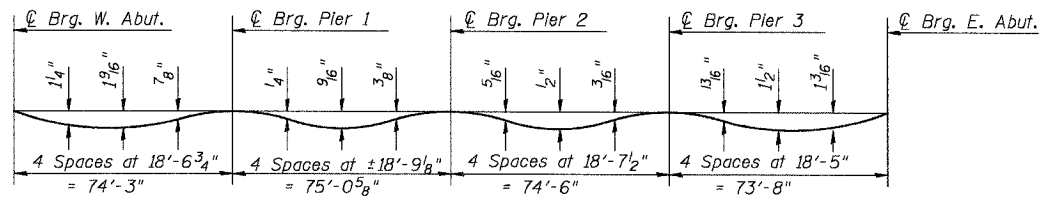


ROUTE NO.	SECTION	COUNTY	SHEET NO.	SHEET
FAU 1517	03-00247-00-BR	KANE	121	46
FED. ROAD DIST. NO.	ILLINOIS	FED. AID PROJECT		
1				

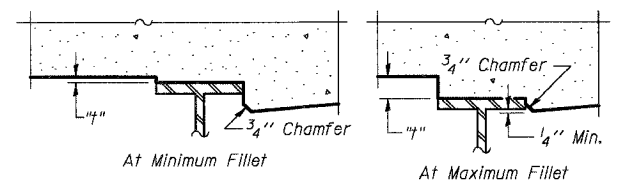
SHEET NO. SW-5
SW-30 SHEETS

CONTRACT #8366T



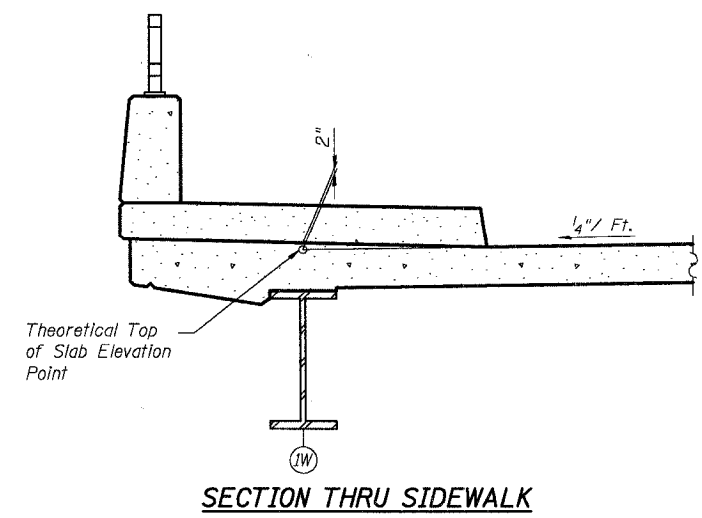
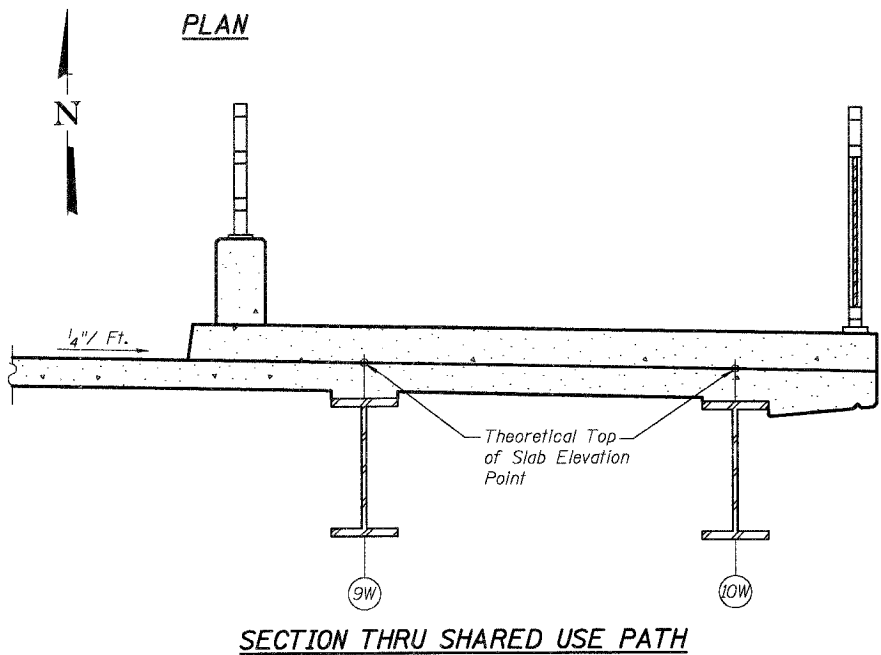
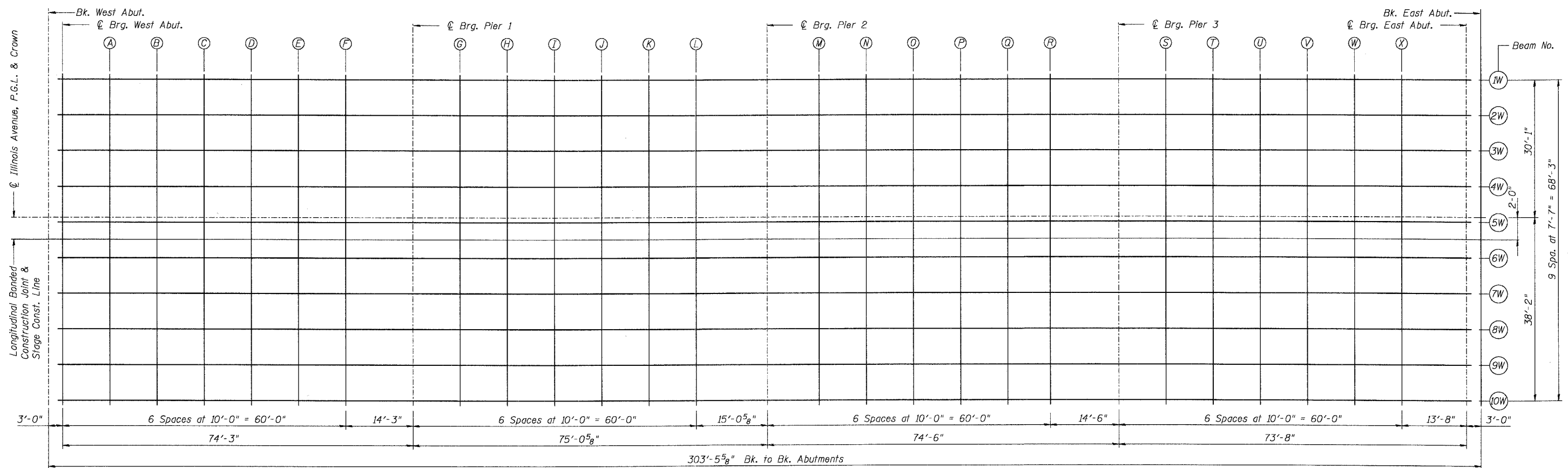
DEAD LOAD DEFLECTION DIAGRAM
(Includes weight of concrete only.)

Note:
The above deflections are not to be used in the field if the engineer is working from the grade elevations adjusted for dead load deflections as shown below.



To determine "t": After all structural steel has been erected, elevations of the top flanges of the beams shall be taken at intervals shown below. These elevations subtracted from the "Theoretical Grade Elevations Adjusted for Dead Load Deflection" shown below, minus slab thickness, equals the fillet heights "t" above top flange of beams.

FILLET HEIGHTS



DESIGNED	AEU
CHECKED	RGD
DRAWN	WJH
CHECKED	NRF

SMITH ENGINEERING CONSULTANTS, INC.	
CIVIL/STRUCTURAL ENGINEERS	
REG. NO. 1212	
REVISIONS	
NAME	DATE

CITY OF AURORA
TOP OF DECK ELEVATIONS (1 of 5)
ILLINOIS AVENUE
OVER THE FOX RIVER
SECTION NO. 03-00247-00-BR
KANE COUNTY
STRUCTURE NO. 045-6009
DATE 7-28-2006

COMPANY NAME, SIZE, PROJECT, SHEET NO., DATE, DRAWN BY, CHECKED BY, DESIGNED BY, SCALE, TITLE, PROJECT NO., SHEET NO., SHEET TOTAL, CONTRACT NO., PROJECT NAME, ADDRESS, CITY, STATE, ZIP, PHONE, FAX, E-MAIL, WEBSITE, URL, LOGO, etc.