

NOTES:

Work this sheet with sheets SW-17, and SW-25.

Space reinforcement in abutment seat to miss anchor bolts.

Contractor to field verify dimensions of existing abutment and wingwalls and locations of existing storm pipe in wingwall.

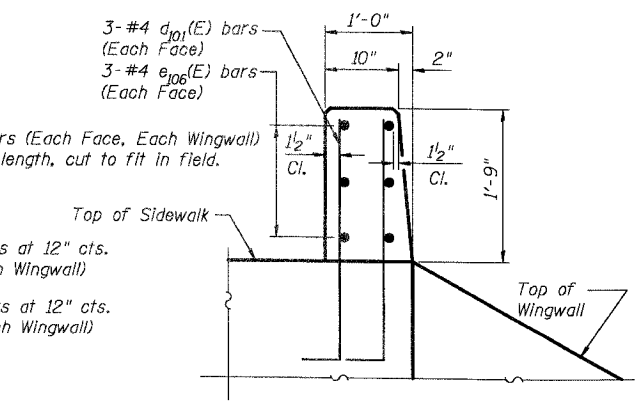
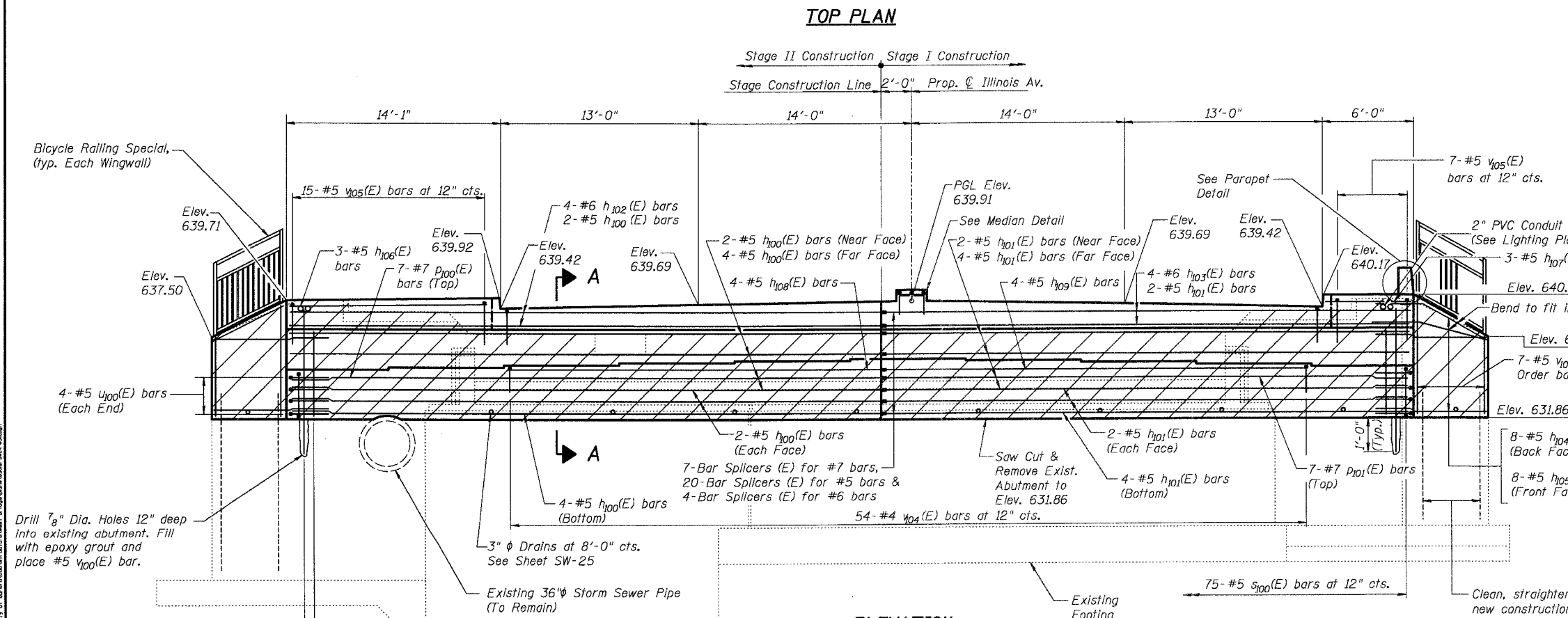
Existing reinforcement extending into removal area shall be cleaned, straightened and incorporated into the new construction. Cost included in pay item "Concrete Removal".

Drill and epoxy grout #5 $v_{100}(E)$ bars in drilled holes with a minimum depth of 12" according to Article 584 of the Standard Specs.

Pour steps monolithically with abutment cap. All edges shall have standard $\frac{3}{4}$ " chamfers except as noted.

All elevations given at back of abutment unless noted otherwise.

See Sheet SW-25 for Section A-A.



BEAM SEAT ELEVATION TABLE

Beam #	1W	2W	3W	4W	5W	6W	7W	8W	9W	10W
Seat Elevation	635.61	635.77	635.93	636.05	636.16	636.04	635.92	635.76	635.60	635.44

DESIGNED	AEU
CHECKED	RGD
DRAWN	WJH
CHECKED	NRF

REVISIONS	
NAME	DATE

CITY OF AURORA

WEST ABUTMENT PLAN AND ELEVATION
ILLINOIS AVENUE
OVER THE FOX RIVER
SECTION NO. 03-00247-00-BR
KANE COUNTY
STRUCTURE NO. 045-6009

DATE 7-28-2006

COMPANY NAME, SET NO., PROJECT CONTRACT NO., CLIENT, ADDRESS, PHONE, FAX, E-MAIL, PROJECT LOCATION, SHEET NO., SHEET TOTAL, DATE