

**ELEVATION**  
Looking East

**LEGEND**

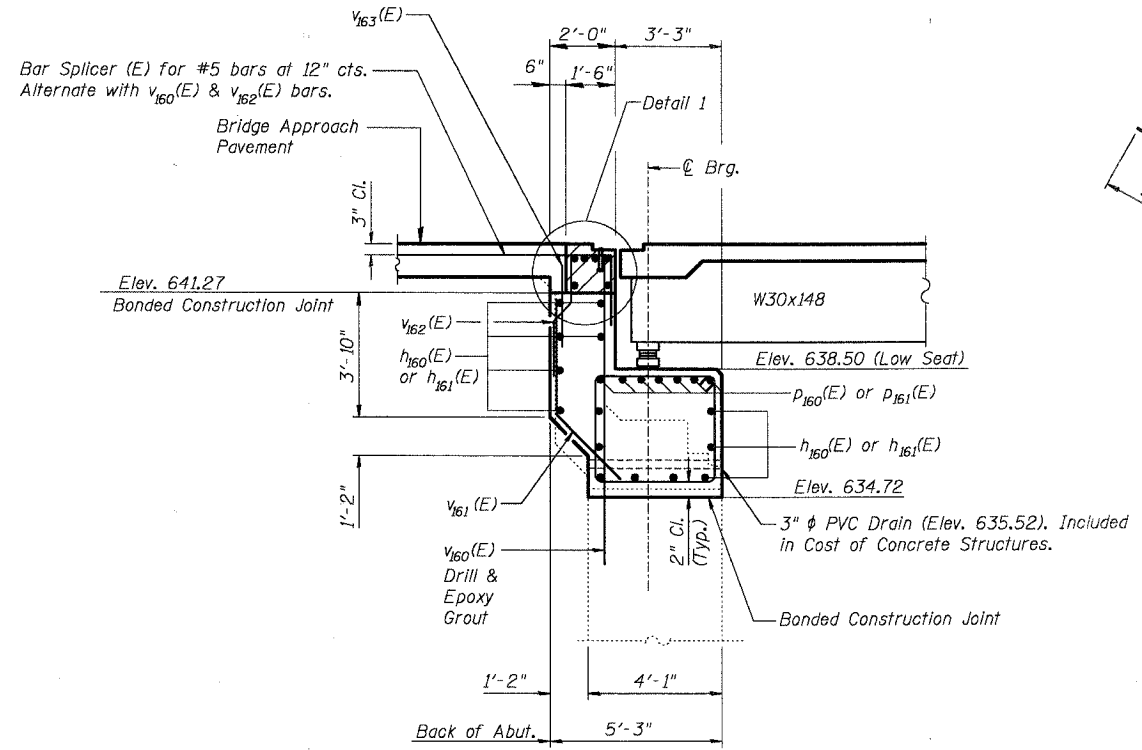
Indicates Concrete Removal Areas

Indicates Epoxy Crack Sealing

Indicates Structural Repair of Concrete

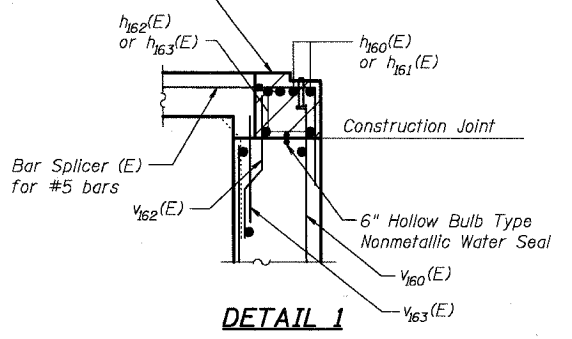
**BILL OF MATERIAL**  
**EAST ABUTMENT**

Bar	No.	Size	Length	Shape
d <sub>101</sub> (E)	6	#6	3'-9"	
ϕ <sub>106</sub> (E)	6	#4	1'-8"	
h <sub>160</sub> (E)	16	#5	38'-10"	
h <sub>161</sub> (E)	16	#5	34'-8"	
h <sub>162</sub> (E)	4	#6	38'-10"	
h <sub>163</sub> (E)	4	#6	34'-8"	
h <sub>164</sub> (E)	16	#5	8'-9"	
h <sub>165</sub> (E)	16	#5	9'-0"	
h <sub>166</sub> (E)	3	#5	13'-9"	
h <sub>167</sub> (E)	3	#5	5'-8"	
h <sub>168</sub> (E)	4	#5	16'-10"	
h <sub>169</sub> (E)	4	#5	20'-3"	
h <sub>170</sub> (E)	3	#5	1'-2"	
h <sub>171</sub> (E)	3	#5	1'-8"	
p <sub>160</sub> (E)	7	#7	38'-10"	
p <sub>161</sub> (E)	7	#7	34'-8"	
s <sub>160</sub> (E)	75	#5	15'-3"	
u <sub>160</sub> (E)	8	#5	7'-11"	
v <sub>160</sub> (E)	75	#5	8'-4"	
v <sub>161</sub> (E)	75	#5	6'-8"	
v <sub>162</sub> (E)	54	#5	2'-6"	
v <sub>163</sub> (E)	54	#5	2'-4"	
v <sub>164</sub> (E)	54	#4	5'-7"	
v <sub>165</sub> (E)	22	#5	9'-8"	
v <sub>166</sub> (E)	28	#5	8'-3"	
v <sub>167</sub> (E)	6	#5	2'-10"	
Reinforcement Bars, Epoxy Coated	Pound		6,670	
Concrete Removal	Cu. Yd.		41.2	
Concrete Structures	Cu. Yd.		74.0	
Structure Excavation	Cu. Yd.		53	
Bridge Seat Sealer	Sq. Ft.		241	
Epoxy Crack Sealing	Foot		11	
Structural Repair of Concrete (Less than or equal to 5")	Sq. Ft.		11	
Bicycle Railing, Special	Foot		11	

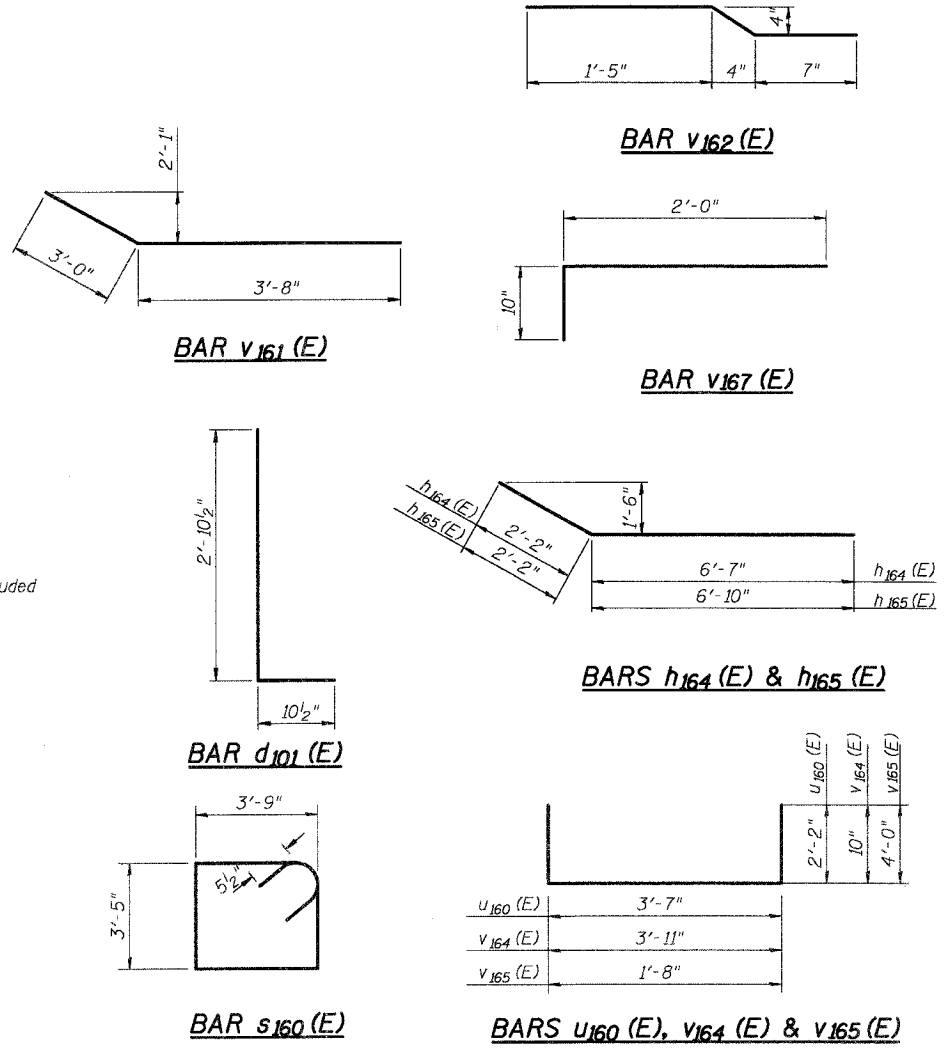


**SECTION A-A**

Hatched area to be poured after superstructure falsework has been removed. Quantity of concrete included with Concrete Superstructure.



**DETAIL 1**



DESIGNED	AEU
CHECKED	RGD
DRAWN	WJH
CHECKED	NRF

**NOTES:**  
Reinforcement bars designated (E) shall be epoxy coated.  
Work this sheet with sheet SW-26.  
See Sheet SW-2 for abutment drainage detail.

REVISIONS	
NAME	DATE

SMITH ENGINEERING CONSULTANTS, INC.  
CITY OF AURORA  
EAST ABUTMENT DETAILS  
ILLINOIS AVENUE  
OVER THE FOX RIVER  
SECTION NO. 03-00247-00-BR  
KANE COUNTY  
STRUCTURE NO. 045-6009  
DATE 7-28-2006