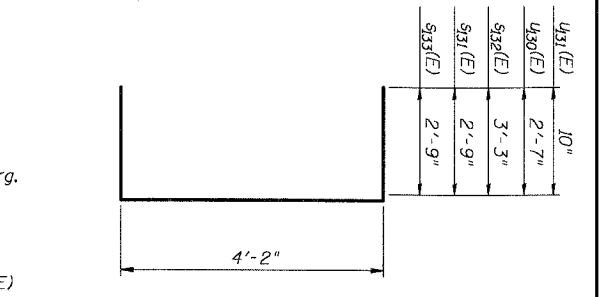


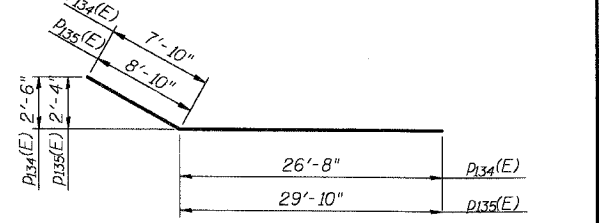
ANCHOR BOLT DETAIL

BEAM SEAT ELEVATION TABLE

Beam #	1W	2W	3W	4W	5W	6W	7W	8W	9W	10W
Seat Elevation	637.54	637.70	637.85	637.98	638.09	637.97	637.84	637.69	637.53	637.37



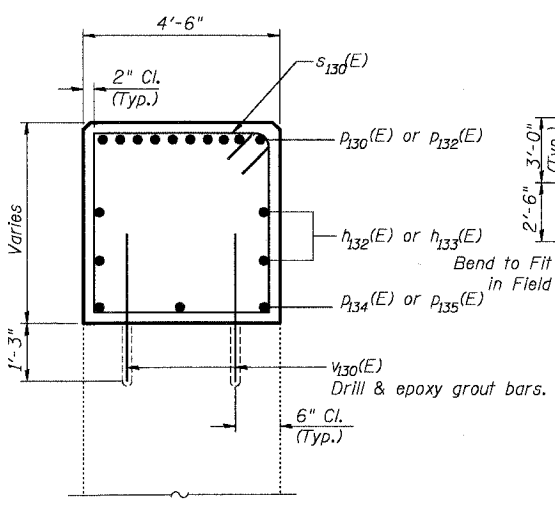
**BARS s133 (E), s131 (E), s132 (E)
u130 (E) & u131 (E)**



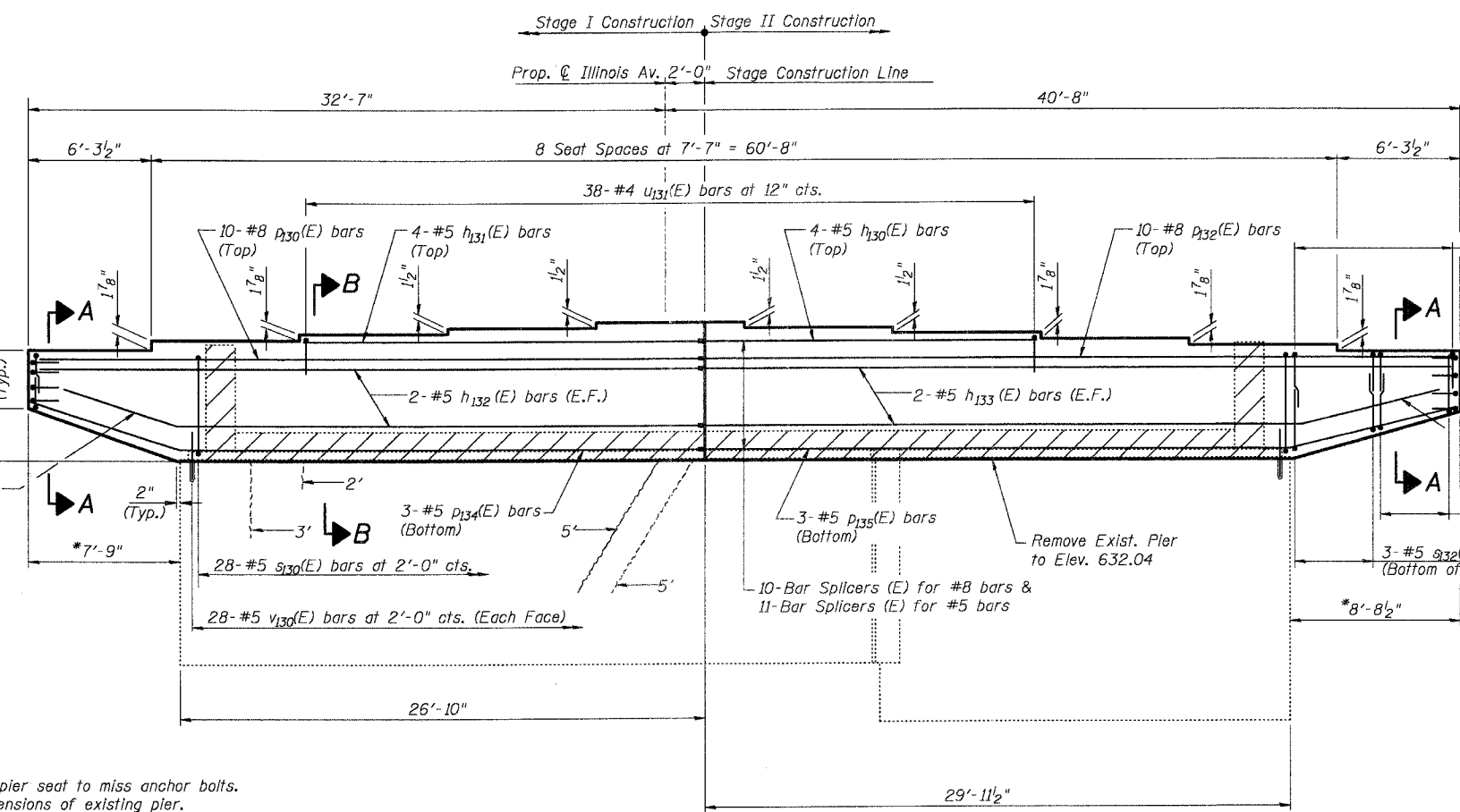
BARS p134 (E) & p135 (E)

LEGEND:

- Indicates Concrete Removal Areas
- Indicates Epoxy Crack Sealing (Near Face)
- Indicates Epoxy Crack Sealing (Far Face)



SECTION B-B

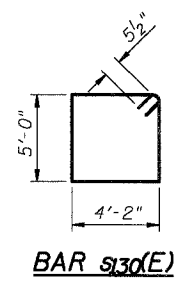


ELEVATION

Looking East
*Measured Along C of Pier

DESIGNED	AEU
CHECKED	RGD
DRAWN	WJH
CHECKED	NRF

- NOTES:**
- Space reinforcement in pier seat to miss anchor bolts.
 - Contractor to verify dimensions of existing pier.
 - Cost for drilling and epoxy grouting u130(E) bars included in cost of Reinforcement Bars, Epoxy Coated.



BAR s130(E)

**BILL OF MATERIAL
PIER 2**

Bar No.	Size	Length	Shape
h130 (E)	4 #5	16'-10"	—
h131 (E)	4 #5	20'-3"	—
h132 (E)	4 #5	34'-3"	—
h133 (E)	4 #5	38'-4"	—
p130 (E)	10 #8	34'-3"	—
p132 (E)	10 #8	38'-4"	—
p134 (E)	3 #5	34'-6"	┘
p135 (E)	3 #5	38'-8"	┘
s130 (E)	28 #5	19'-3"	□
s131 (E)	12 #5	9'-8"	┘
s132 (E)	6 #5	10'-8"	┘
s133 (E)	18 #5	9'-8"	┘
u130 (E)	8 #6	9'-4"	┘
u131 (E)	38 #4	5'-10"	┘
v130 (E)	56 #5	2'-10"	—
Reinforcement Bars, Epoxy Coated	Pound	3,980	
Concrete Removal	Cu. Yd.	16.5	
Concrete Structures	Cu. Yd.	66.6	
Epoxy Crack Sealing	Foot	15	

Bars p131 (E) & p133 (E) are not used.
Reinforcement bars designated (E) shall be epoxy coated.
Bars indicated thus 1 x 2 - #5 etc. indicates 1 line of bars with 2 lengths per line.

SMITH ENGINEERING CONSULTANTS, INC.
CIVIL, ELECTRICAL, MECHANICAL AND SURVEYING ENGINEERS
1000 W. MONROE STREET, SUITE 200
AURORA, ILLINOIS 60007-1000
TEL: 630-584-8800 FAX: 630-584-8801

REVISIONS	
NAME	DATE

CITY OF AURORA
PIER 2 DETAILS
ILLINOIS AVENUE
OVER THE FOX RIVER
SECTION NO. 03-00247-00-BR
KANE COUNTY
STRUCTURE NO. 045-6009
DATE 7-28-2006