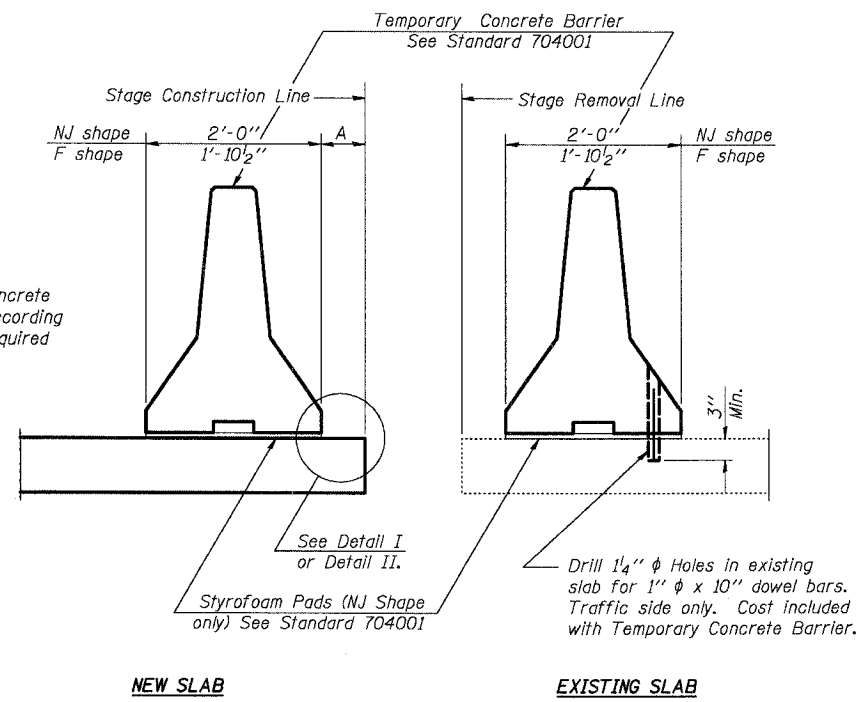


ROUTE NO.	SECTION	COUNTY	TOTAL SHEETS	SHEET NO.
FAU 1517	03-00247-00-BR	KANE	121	87
FED. ROAD DIST. NO.	ILLINOIS	FED. AID PROJECT-		
1			CONTRACT #83667	

SHEET NO. SE-4
SE-27 SHEETS

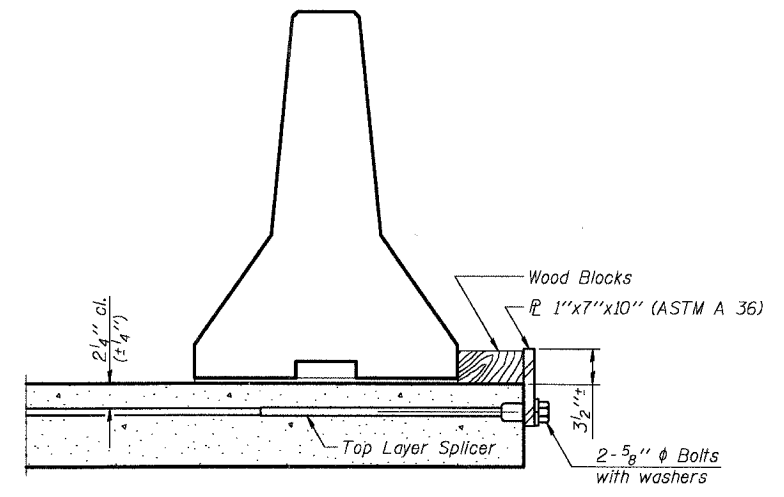


When "A" is 3'-6" or less, the temporary concrete barrier shall be anchored to the new slab according to Detail I or Detail II. No anchorage is required when "A" is greater than 3'-6".

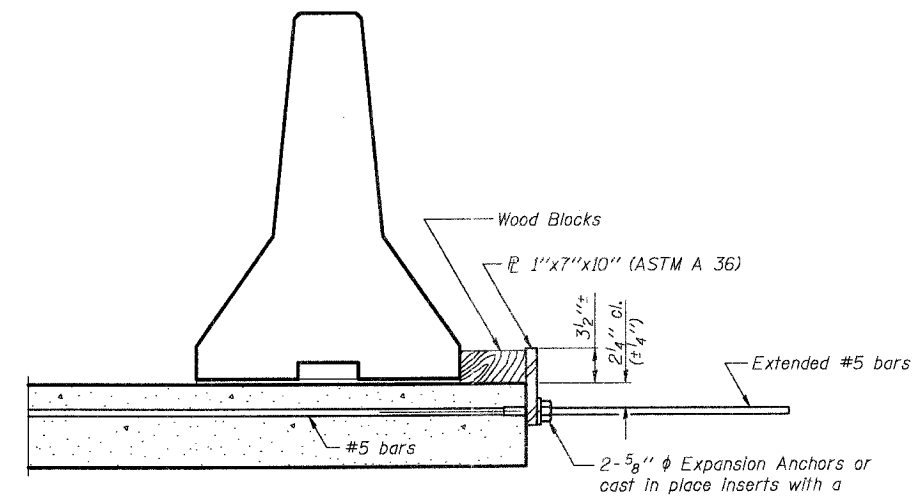
NOTES

- Detail I - With Bar Splicer or Couplers:
Connect one (1) 1"x7"x10" steel PL to the top layer of couplers with 2-5/8" phi bolts screwed to coupler at approximate C of each barrier panel.
 - Detail II - With Extended Reinforcement Bars:
Connect one (1) 1"x7"x10" steel PL to the concrete slab with 2-5/8" phi Expansion Anchors or cast in place inserts spaced between the top layer of reinforcement at approximate C of each barrier panel.
- Cost of anchorage is included with Temporary Concrete Barrier.

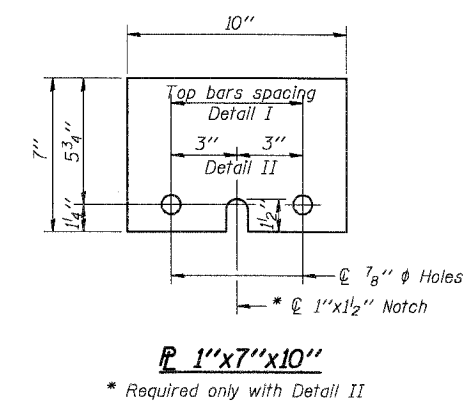
SECTIONS THRU SLAB



DETAIL I
The 1"x7"x10" Plate shall not be removed until Stage II Construction forms and reinforcement bars are in place.



DETAIL II
The 1"x7"x10" Plate shall not be removed until Stage II Construction forms and all reinforcement bars are in place and the concrete is ready to be placed.



DESIGNED	AEU
CHECKED	RGD
DRAWN	WJH
CHECKED	NRF

REVISIONS	
NAME	DATE

SMITH ENGINEERING CONSULTANTS, INC.
CIVIL, STRUCTURAL, ELECTRICAL AND SURVEYORS
1001 N. Franklin Street, Suite 200, Aurora, IL 60002
Tel: 630-584-7700 Fax: 630-584-7701

CITY OF AURORA
TEMPORARY CONCRETE BARRIER
ILLINOIS AVENUE
OVER THE FOX RIVER
SECTION NO. 03-00247-00-BR
KANE COUNTY
STRUCTURE NO. 045-6008
DATE 7-28-2006

PROJECT NAME: SEE PLAN
 PROJECT CONTACT: PROJECT CONTACT
 DRAWN BY: WJH
 CHECKED BY: NRF
 DATE: 7-28-2006