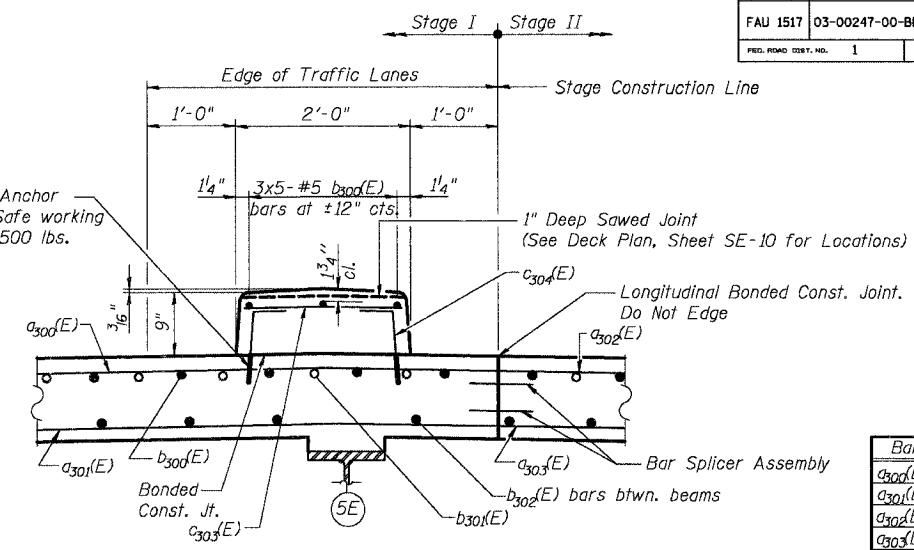
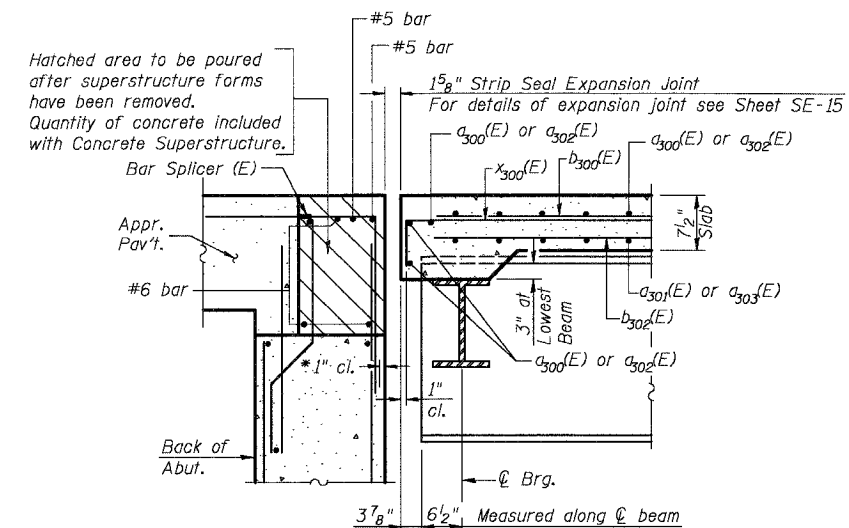


**SECTION THRU SIDEWALK**



**SECTION THRU MEDIAN**

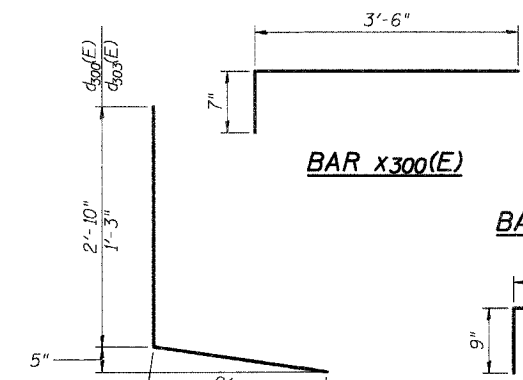


**SECTION A-A**



**BARS c300(E) and c305(E)**

**BAR c304(E)**



**BAR x300(E)**

**BARS d301(E) and d304(E)**

**BARS d300(E) and d303(E)**

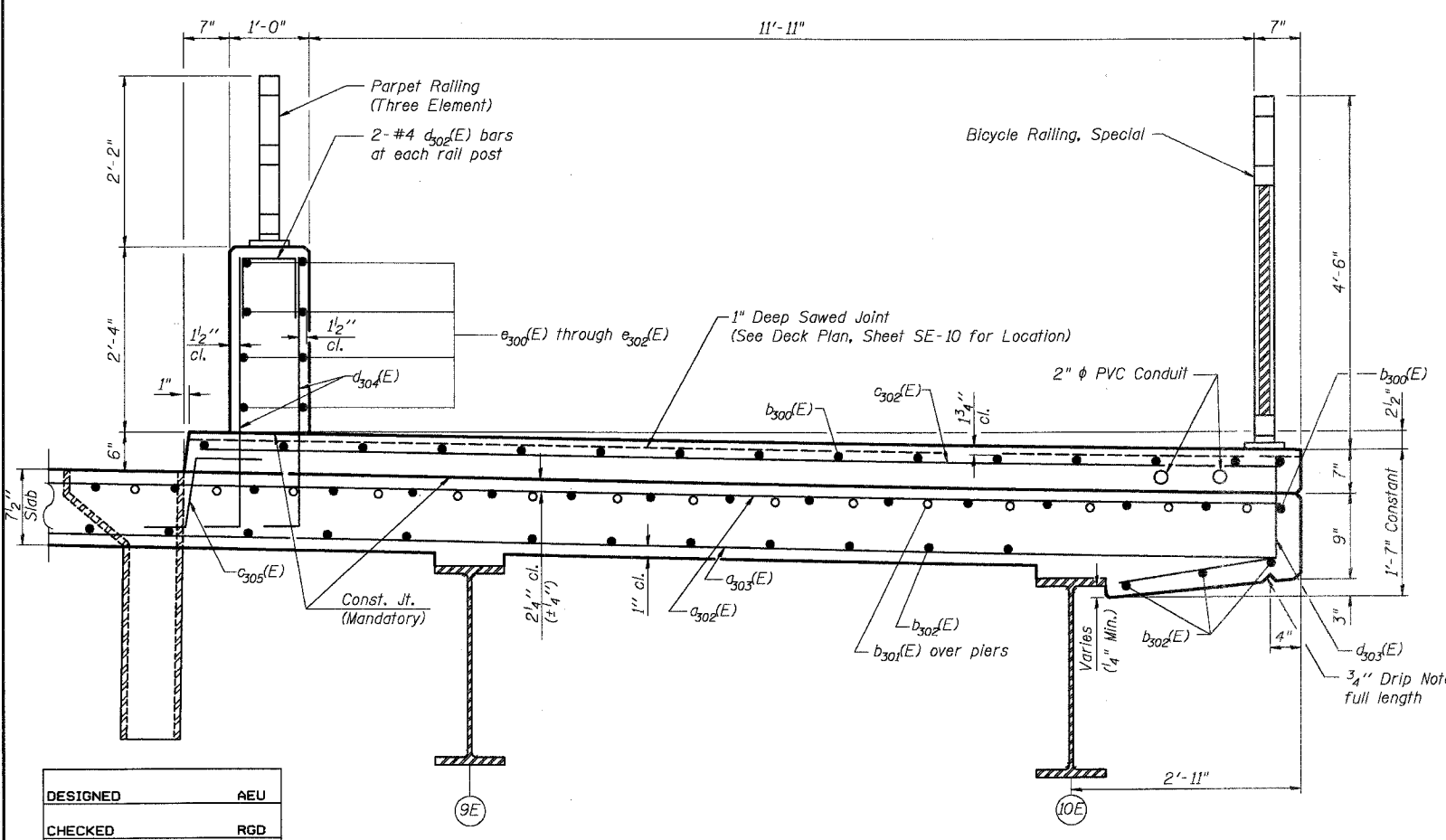
**BAR d302(E)**

**SUPERSTRUCTURE  
BILL OF MATERIAL**

Bar	No.	Size	Length	Shape
a300(E)	297	#5	34'-6"	—
a301(E)	223	#5	34'-4"	—
a302(E)	297	#5	38'-9"	—
a303(E)	223	#5	38'-7"	—
b300(E)	515	#5	30'-11"	—
b301(E)	74	#6	43'-9"	—
b302(E)	414	#5	26'-2"	—
b303(E)	64	#5	1'-6"	—
c300(E)	149	#5	2'-5"	┌
c301(E)	149	#5	5'-8"	—
c302(E)	149	#5	13'-9"	—
c303(E)	149	#5	1'-8"	—
c304(E)	298	#5	1'-3"	┌
c305(E)	149	#5	2'-2"	┌
d300(E)	149	#4	4'-10"	┌
d301(E)	149	#6	3'-9"	—
d302(E)	64	#4	2'-0"	—
d303(E)	149	#5	3'-3"	—
d304(E)	298	#6	4'-1"	—
d305(E)	8	#4	1'-8"	—
d306(E)	3	#6	8'-11"	—
d307(E)	6	#6	3'-10"	—
d308(E)	3	#6	2'-5"	—
d309(E)	12	#6	1'-8"	—
e300(E)	84	#4	15'-4"	—
e301(E)	24	#4	11'-4"	—
e302(E)	12	#4	15'-7"	—
x300(E)	152	#5	4'-1"	—
Reinforcement Bars, Epoxy Coated			Pound	82,710
Concrete Superstructure			Cu. Yd.	359.7
Bridge Deck Grooving			Sq. Yd.	792
Protective Coat			Sq. Yd.	1,371

Reinforcement bars designated (E) shall be epoxy coated.

**Notes:**  
Work this sheet with sheets SE-10 and SE-12 through SE-14.  
See sheet SE-10 for Section A-A.  
For Parapet Railing and Bicycle Railing, Special details see Sheet SE-17.  
For Bar Splicer Assembly details see Sheet SE-22.  
The cost of furnishing and installing 2" φ conduit is included in the unit cost of Concrete Superstructures.



**SECTION THRU SHARED USE PATH**

DESIGNED	AEU
CHECKED	RGD
DRAWN	WJH
CHECKED	NRF

SMITH ENGINEERING CONSULTANTS, INC.  
CIVIL STRUCTURAL ENGINEERS AND SUPERVISORS  
1000 N. WASHINGTON ST., SUITE 1000  
AURORA, ILLINOIS 60007  
TEL: (708) 485-1100 FAX: (708) 485-1101

REVISIONS	
NAME	DATE

CITY OF AURORA  
SUPERSTRUCTURE DETAILS I  
ILLINOIS AVENUE  
OVER THE FOX RIVER  
SECTION NO. 03-00247-00-BR  
KANE COUNTY  
STRUCTURE NO. 045-6008  
DATE 7-28-2006