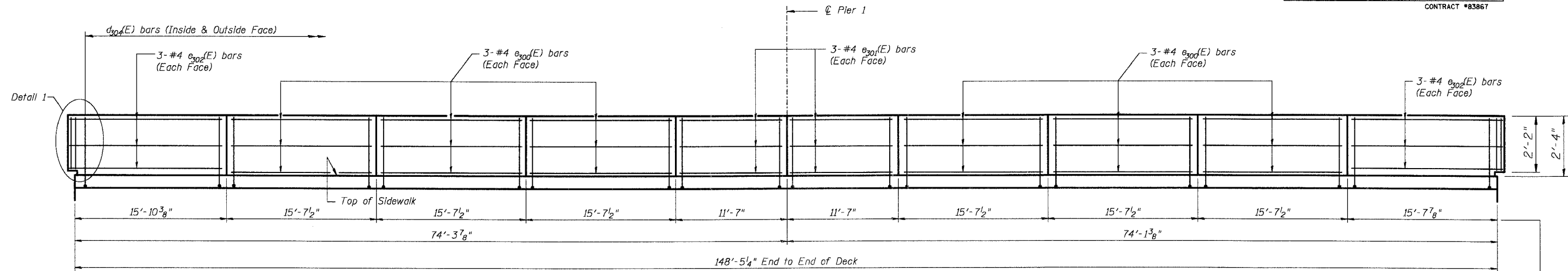


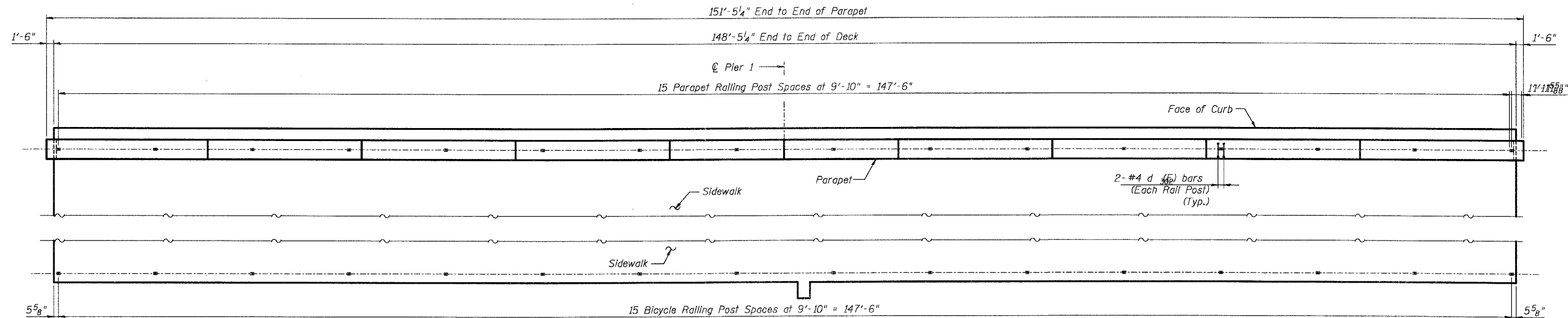
ROUTE NO.	SECTION	COUNTY	TOTAL SHEETS	SHEET NO.
FAU 1517	03-00247-00-BR	KANE	121	96
FED. ROAD DIST. NO.	ILLINOIS	FED. AID PROJECT-		
1			CONTRACT #83867	

SHEET NO. SE-13
SE-27 SHEETS

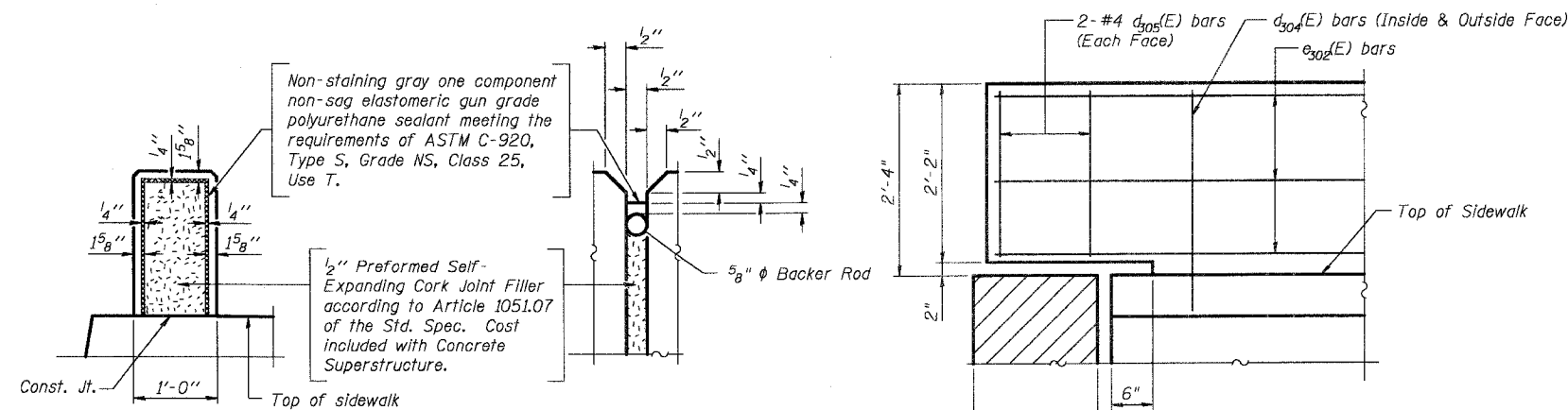


INSIDE ELEVATION OF SOUTH PARAPET

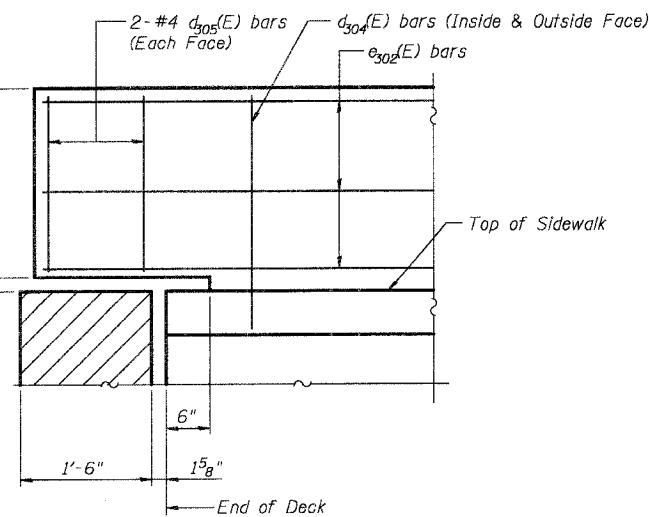
Spacing for Self-expanding Cork Sheeted Construction Joints in Parapet.



TOP PLAN OF SHARED USE PATH



SOUTH PARAPET JOINT DETAILS



DETAIL 1

Typical at both ends of Parapet

Notes:
Work this Sheet with Sheets SE-10, SE-11 & SE-14.
For parapet railing details see Sheet SE-11.
For light pole support details see Sheet SE-14.

DESIGNED	AEU
CHECKED	RGD
DRAWN	WJH
CHECKED	NRF



CITY OF AURORA	
SUPERSTRUCTURE DETAILS III	
ILLINOIS AVENUE	
OVER THE FOX RIVER	
SECTION NO. 03-00247-00-BR	
KANE COUNTY	
STRUCTURE NO. 045-6008	
DATE 7-28-2006	

REVISIONS	
NAME	DATE

PROJECT NO. 03-00247-00-BR
 PROJECT CONTACT: WJH@SMITH-ENG.COM
 DATE: 7-28-2006
 PROJECT LOCATION: ILLINOIS AVENUE OVER THE FOX RIVER
 KANE COUNTY, ILLINOIS
 CONTRACT NO. 045-6008
 SHEET NO. SE-13 OF 27 SHEETS