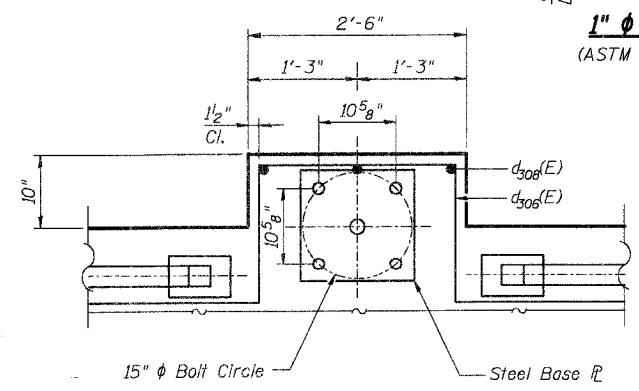
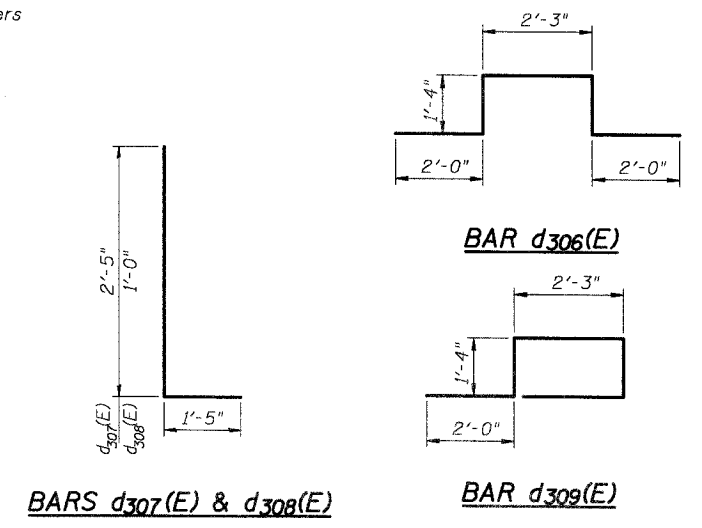
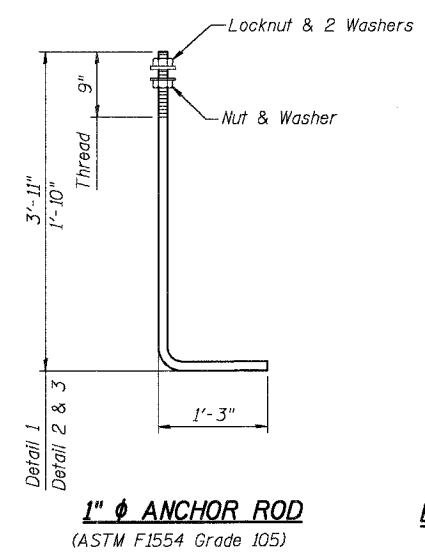
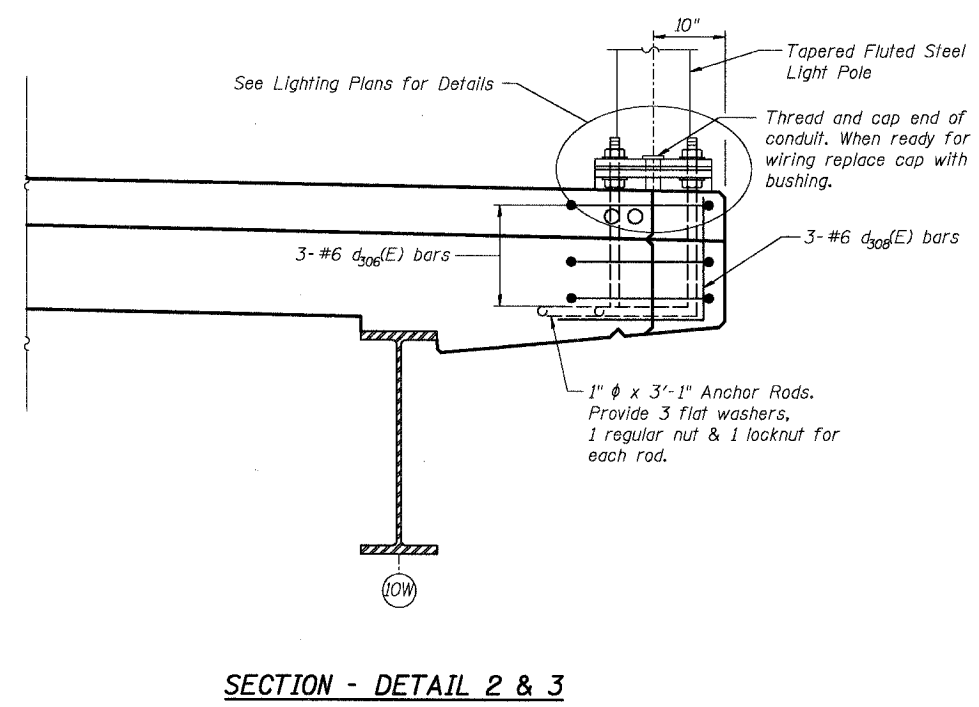


LIGHT POLE MOUNTED ON CONCRETE PARAPET DETAILS



LIGHT POLE MOUNTED ON SHARED USE PATH DETAIL

Notes:
Work this sheet with sheets SE-10 through SE-13.
For Bill of Material see Sheet SE-11.

DESIGNED	AEU
CHECKED	RGD
DRAWN	WJH
CHECKED	NRF

REVISIONS	
NAME	DATE

CITY OF AURORA	
SUPERSTRUCTURE DETAILS IV ILLINOIS AVENUE OVER THE FOX RIVER SECTION NO. 03-00247-00-BR KANE COUNTY STRUCTURE NO. 045-6008	
DATE	7-28-2006

COMPANY NAME, ADDRESS, PHONE, FAX, E-MAIL, WEBSITE, PROJECT NO., SHEET NO., DATE, DRAWN BY, CHECKED BY, DESIGNED BY, PROJECT TITLE, CONTRACT NO., COUNTY, ROUTE NO., SECTION NO., STRUCTURE NO., SHEET NO., SHEET TOTAL