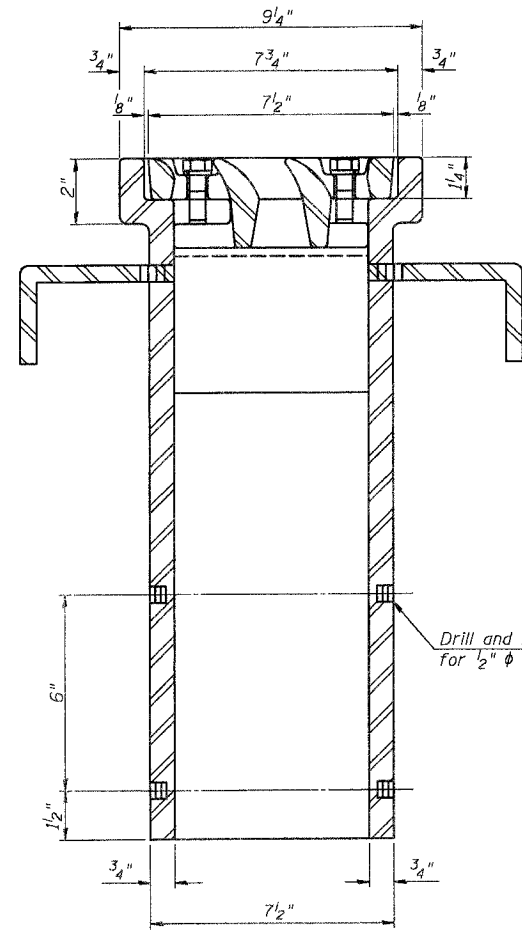


See sheet of for scupper location relative to parapet.



Notes:
 All cast iron parts shall be gray iron conforming to the requirements of AASHTO M 105, Class 35B.
 Bolts, anchor studs, washers and nuts shall conform to the requirements of ASTM A 307 and shall be galvanized according to AASHTO M 232.
 The grate, frame and downspout shall be galvanized according to AASHTO M 111 and ASTM A 385. Downspouts located on the exterior side of a painted steel fascia beam shall be painted with the finish coat specified for the exterior side of the fascia beam.
 As an alternate, bolts, anchor studs, washers and nuts may be stainless steel according to Article 1006.29(d) of the Standard Specifications.
 Structural steel weldments of equal sections and of the same configuration may be substituted for cast iron. Fillet or full penetration welds shall be used for the weldments. Details shall be submitted to the Engineer for approval.
 The Contractor shall take appropriate measures to assure that Protective Coat is not applied to the scupper.
 Cost of the Grate, Frame, Downspout, Anchor Studs, Bolts, Washers and Nuts including complete installation of the scupper shall be paid for at the contract unit price each for Drainage Scupper, DS-11.

BILL OF MATERIAL

Item	Unit	Quantity
Drainage Scuppers, DS-11	Each	8

DESIGNED	AEU
CHECKED	RGD
DRAWN	WJH
CHECKED	NRF

SMITH ENGINEERING CONSULTANTS, INC.
 CIVIL/STRUCTURAL ENGINEERS AND SURVEYORS
 www.smitheng.com
 © 2011 Smith Engineering, Inc.

REVISIONS	
NAME	DATE

CITY OF AURORA
 DRAINAGE SCUPPER, DS-11
 ILLINOIS AVENUE
 OVER THE FOX RIVER
 SECTION NO. 03-00247-00-BR
 KANE COUNTY
 STRUCTURE NO. 045-6008
 DATE 7-28-2006

COMPANY NAME, SEC. NO., PROJECT, CONTRACT, CLIENT, ADDRESS, PHONE, FAX, E-MAIL, CITY, STATE, ZIP, COUNTY, PROJECT NO., SHEET NO., DATE, DRAWN BY, CHECKED BY, DESIGNED BY, SCALE, NOTES, REVISIONS, APPROPRIATE AGENCIES, PERMITS, AND APPROVALS.